

STATE OF ILLINOIS  
DEPARTMENT OF TRANSPORTATION

F.A.U. RTE.	SECTION	COUNTY	TOTAL SHEETS	SHEET NO.
9228A	(Z-1)PP	ST. CLAIR	7	1
		ILLINOIS	CONTRACT NO. 76T08	

FOR INDEX OF SHEETS, SEE SHEET NO. 2

TRAFFIC DATA

26TH ST. (BEGINNING OF PROJECT BOND AVE. TO IL 15)

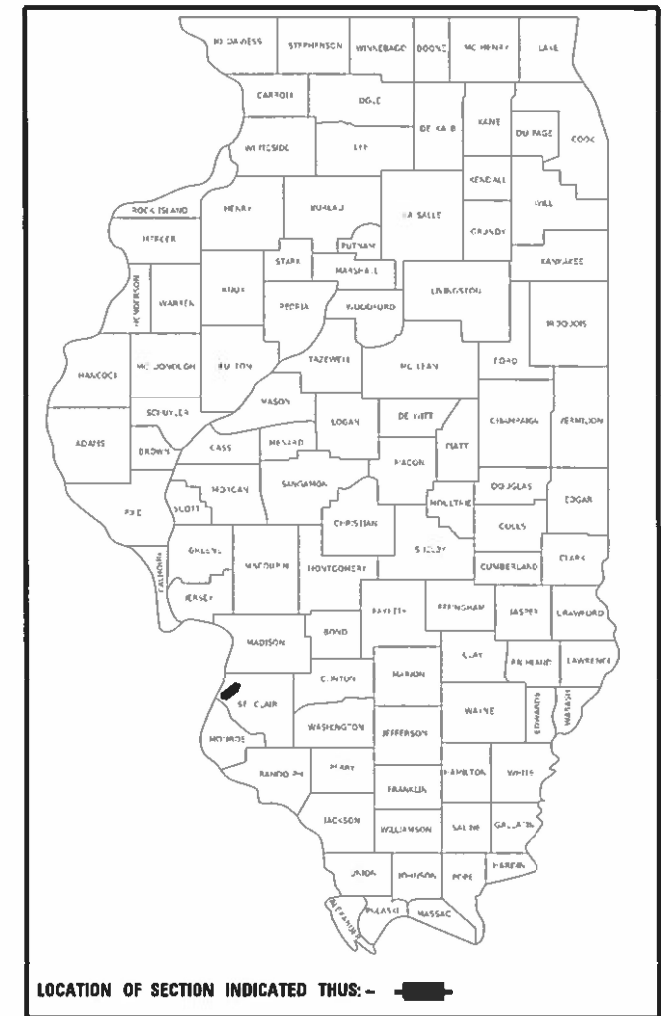
LOCATION	26TH ST.
2022 ADT	8000 (ACTUAL)
2042 ADT	8500 (ESTIMATED)
MU%	5.4
SU%	5.1

**PROPOSED  
HIGHWAY PLANS**

FAU ROUTE 9228A (26TH ST.)  
SECTION: (Z-1)PP  
PAVEMENT PATCHING  
ST. CLAIR COUNTY

C-98-075-23

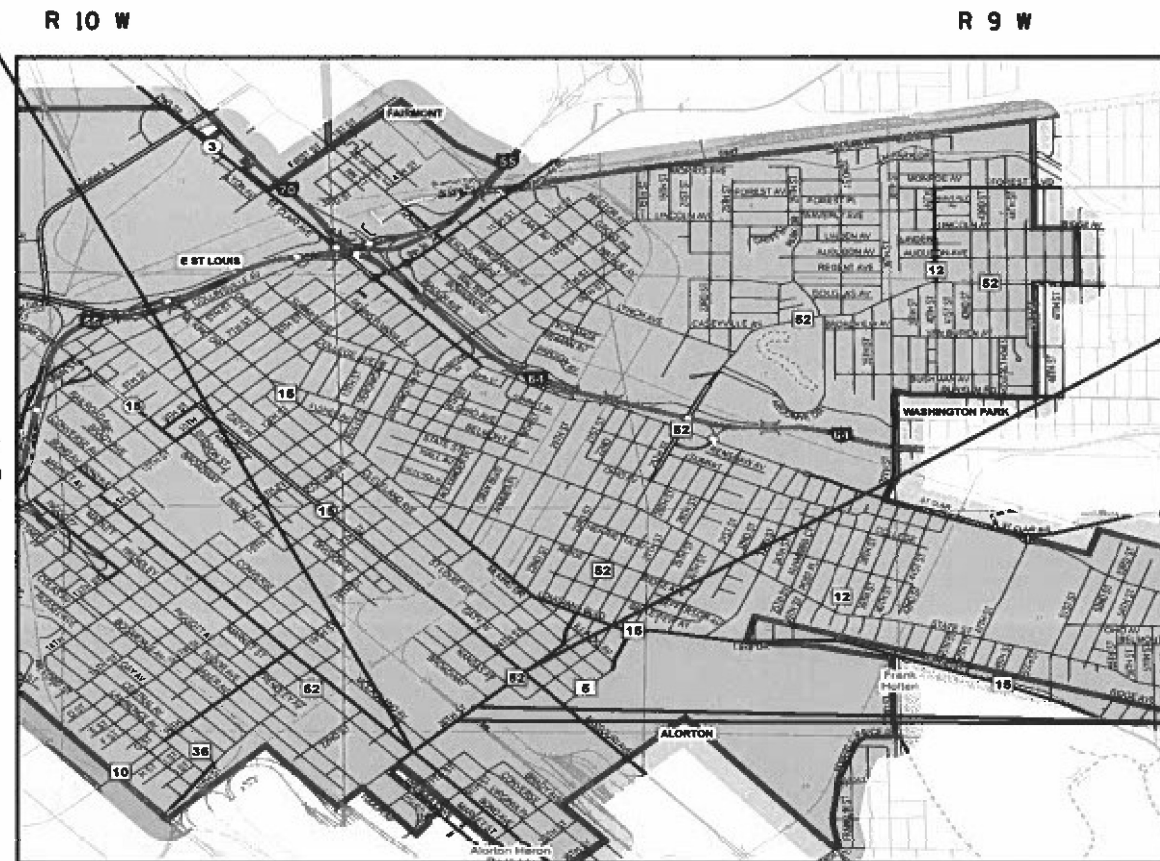
D-98-031-23



LOCATION OF SECTION INDICATED THIS: - [black rectangle]

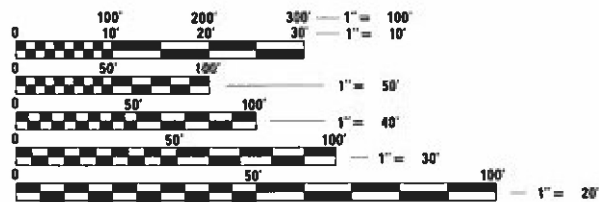
FUNCTIONAL CLASSIFICATION: MINOR ARTERIAL

BEGIN PROJECT  
(BOND AVE.)  
STA. 0+28  
LAT: 38.600448°  
LONG: -90.141496°



END PROJECT  
(IL 15)  
STA. 27+21  
LAT: 38.605527°  
LONG: -90.134567°

BRIDGE OMISSION  
(SN 082-0131)  
STA. 11+60 TO STA. 16+08  
(448 FT)



FULL SIZE PLANS HAVE BEEN PREPARED USING STANDARD ENGINEERING SCALES. REDUCED SIZED PLANS WILL NOT CONFORM TO STANDARD SCALES. IN MAKING MEASUREMENTS ON REDUCED PLANS, THE ABOVE SCALES MAY BE USED.

J.U.L.I.E.  
JOINT UTILITY LOCATION INFORMATION FOR EXCAVATORS  
1-800-892-0123  
OR 811



1" = 1 MILE

GROSS LENGTH = 2693 FT. = 0.51 MILE  
NET LENGTH = 2245 FT. = 0.43 MILE

PROJECT ENGINEER: BILLIE OWEN  
PROJECT MANAGER: MEIWU AN

CONTRACT NO. 76T08

STATE OF ILLINOIS  
DEPARTMENT OF TRANSPORTATION

SUBMITTED MARCH 15 20 23

*Karl H. Brown*  
REGIONAL ENGINEER

May 12, 2023 *John A. Etk*  
ENGINEER OF DESIGN AND ENVIRONMENT

May 12, 2023 *Stephen M. Smith*  
DIRECTOR OF HIGHWAYS PROJECT IMPLEMENTATION

**PRINTED BY THE AUTHORITY  
OF THE STATE OF ILLINOIS**

**INDEX OF SHEETS**

- 1 COVER SHEET
- 2 INDEX OF SHEETS, HIGHWAY STANDARDS, GENERAL NOTES, MIXTURE REQUIREMENTS & COMMITMENTS
- 3 SUMMARY OF QUANTITIES
- 4 TYPICAL SECTIONS
- 5-6 SCHEDULE OF QUANTITIES
- 7 LOCATION MAP

**HIGHWAY STANDARDS**

- 000001-08 STANDARD SYMBOLS, ABBREVIATIONS AND PATTERNS
- 001006 DECIMAL OF AN INCH AND OF A FOOT
- 442201-03 CLASS C AND D PATCHES
- 701001-02 OFF-ROAD OPERATIONS, 2L, 2W, MORE THAN 15' AWAY
- 701006-05 OFF-ROAD OPERATIONS, 2L, 2W, MORE THAN 15' TO 24" FROM PAVEMENT EDGE
- 701011-04 OFF-ROAD MOVING OPERATIONS, 2L, 2W, DAY ONLY
- 701301-04 LANE CLOSURE, 2L, 2W, SHORT TIME OPERATIONS
- 701311-03 LANE CLOSURE, 2L, 2W, MOVING OPERATIONS DAY ONLY
- 701501-06 URBAN LANE CLOSURE, 2L, 2W, UNDIVIDED
- 701901-08 TRAFFIC CONTROL DEVICES
- 780001-05 TYPICAL PAVEMENT MARKINGS
- 781001-04 TYPICAL APPLICATIONS RAISED REFLECTIVE PAVEMENT MARKERS
- 420001-10 PAVEMENT JOINTS

**GENERAL NOTES**

4. TWO CHANGEABLE MESSAGE SIGNS SHALL BE REQUIRED FOR THIS PROJECT. THEY SHALL BE PLACED 2 WEEKS PRIOR TO ANY LANE CLOSURES. THE CHANGEABLE MESSAGE SIGNS SHALL BE PLACED ON IL 15 AND BOND AVE. FOR THE DURATION OF THE CONTRACT AT THE DIRECTION OF THE ENGINEER.
5. THE DEPARTMENT STRONGLY ENCOURAGES THE PRIME CONTRACTOR AND THEIR APPROVED SUB-CONTRACTORS TO HIRE MINORITY, WOMEN AND DISADVANTAGED INDIVIDUALS FROM ITS FEDERALLY FUNDED HIGHWAY CONSTRUCTION CAREERS TRAINING PROGRAM (HCCTP) TO HELP MEET WORKFORCE AND TRAINEE GOALS. THIS PROGRAM IS TRAINING MINORITIES, WOMEN AND DISADVANTAGED INDIVIDUALS IN HIGHWAY CONSTRUCTION-RELATED SKILLS, E.G., MATH FOR THE TRADES, JOB READINESS, TECHNICAL SKILLS COURSEWORK (CARPENTRY, CONCRETE FLATWORK, BLUEPRINT READING, SITE PLANS, SITE WORK, TOOLS USE, ETC.) AND OSHA 10 HOUR CERTIFICATION, TO PREPARE THEM FOR A CAREER IN THE HIGHWAY CONSTRUCTION TRADES. GRADUATES ARE WELL-TRAINED AND READY TO BECOME PRODUCTIVE ENTRY-LEVEL CONSTRUCTION WORKERS. CONTACT THE DISTRICT 8 EEO OFFICE AT 618-346-3360 AND/OR THE HCCTP COORDINATOR AT 618-874-6528 TO LEARN MORE ABOUT THE PROGRAM AND FOR ASSISTANCE IN MEETING WORKFORCE AND TRAINEE GOALS.
6. ALL BRIDGES WITHIN THE PROJECT LIMITS SHALL BE OMITTED FROM PATCHING.

**COMMITMENTS**

NONE

**GENERAL NOTES**

1. UTILITIES KNOWN TO HAVE FACILITIES WITHIN THE PROJECT AREA ARE AS FOLLOWS:

	AERIAL	BURIED
AMEREN ILLINOIS (GAS & ELECTRIC)	X	X
AT&T ILLINOIS (COMMUNICATIONS)	X	
AT&T CORPORATION (COMMUNICATIONS)	X	
VILLAGE OF CAHOKIS (WATER & SANITARY SEWER)		X
CHARTER COMMUNICATIONS, INC (CABLE TV)	X	
CITY OF E. ST. LOUIS (SANITARY SEWER)		X
CITY OF E. ST. LOUIS (LIGHTING)	X	
EVERSTREAM GLC HOLDING COMPANY LLC (COMMUNICATIONS)	X	
ILLINOIS AMERICAN WATER COMPANY (WATER)		X
LEVEL 3 COMMUNICATIONS, LLC (COMMUNICATIONS)	X	

2. NO SURVEY WAS PERFORMED FOR THIS PROJECT AND THE PLANS WERE CREATED USING MICROFILM.
3. THE PROPOSED PAVEMENT MARKING SHALL MATCH THE LOCATIONS OF THE EXISTING PAVEMENT MARKING, AS DIRECTED BY THE ENGINEER.

REV. - MS

MODEL: Default  
FILE NAME: p:\public\ch-bentley.com\p1\DOT\Documents\DOT\_Offices\Distrc\_8\Projects\0816872\CD\Drawings\CDsheet0816872-ah1-details.dgn

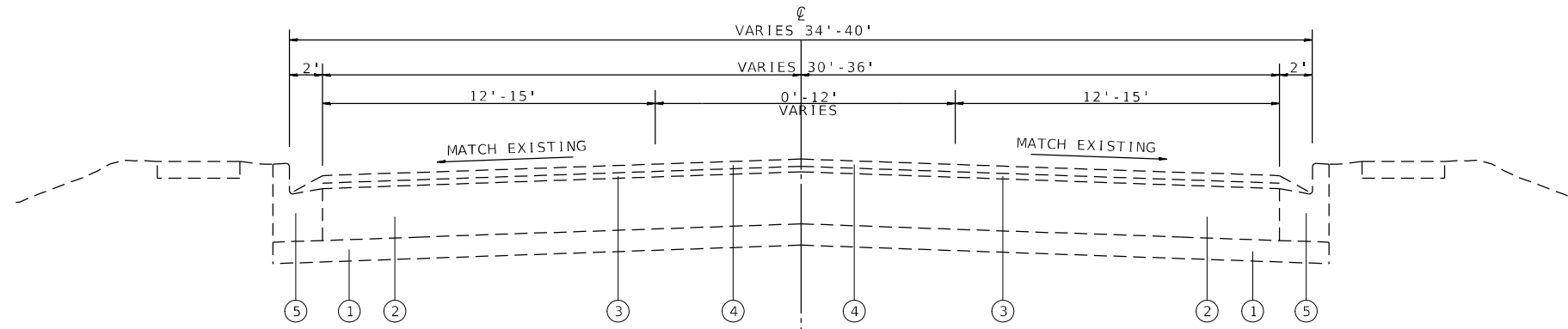
USER NAME = Rahshun.Miller	DESIGNED -	REVISED -	<b>STATE OF ILLINOIS DEPARTMENT OF TRANSPORTATION</b>	<b>INDEX OF SHEETS, HIGHWAY STANDARDS, GENERAL NOTES, COMMITMENTS</b>	F.A.U. RTE.	SECTION	COUNTY	TOTAL SHEETS	SHEET NO.	
PLOT SCALE = 100.0000' / in.	DRAWN -	REVISED -			9228A	(Z-1)PP	ST. CLAIR	7	2	
PLOT DATE = 3/20/2023	CHECKED -	REVISED -							CONTRACT NO. 76T08	
	DATE -	REVISED -			SCALE: NTS	SHEET 1 OF 1 SHEETS	STA.	TO STA.		ILLINOIS   FED. AID PROJECT

MODEL: Default  
 FILE NAME: p:\project\0876872\CADD\DATA\CAD\sheet\0876872-ah-detaile.com

CODE NO.	ITEM	UNIT	TOTAL QUANTITY	CONSTR. CODE
				100% STATE 26TH ST. ROADWAY 0006 URBAN
44201361	CLASS C PATCHES, TYPE I, 11 INCH	SQ YD	18	18
44201365	CLASS C PATCHES, TYPE II, 11 INCH	SQ YD	105	105
44201369	CLASS C PATCHES, TYPE III, 11 INCH	SQ YD	35	35
44201371	CLASS C PATCHES, TYPE IV, 11 INCH	SQ YD	290	290
67100100	MOBILIZATION	L SUM	1	1
70102620	TRAFFIC CONTROL AND PROTECTION, STANDARD 701501	L SUM	1	1
70107025	CHANGEABLE MESSAGE SIGN	CAL DA	60	60
70300100	SHORT TERM PAVEMENT MARKING	FOOT	141	141
70300150	SHORT TERM PAVEMENT MARKING REMOVAL	SQ FT	47	47
70300221	TEMPORARY PAVEMENT MARKING - LINE 4" - PAINT	FOOT	141	141
* 78001110	PAINT PAVEMENT MARKING - LINE 4"	FOOT	141	141
* 78100100	RAISED REFLECTIVE PAVEMENT MARKER	EACH	26	26

\* SPECIALTY ITEM

USER NAME = Rahshun,Miller	DESIGNED -	REVISED -	<b>STATE OF ILLINOIS DEPARTMENT OF TRANSPORTATION</b>	<b>SUMMARY OF QUANTITIES</b>			F.A.U. RTE.	SECTION	COUNTY	TOTAL SHEETS	SHEET NO.
PLOT SCALE = 100,0000 ' / in.	DRAWN -	REVISED -					9228A	(Z-1)PP	ST. CLAIR	7	3
PLOT DATE = 3/20/2023	CHECKED -	REVISED -		SCALE: NTS	SHEET 1	OF 1 SHEETS	STA.	TO STA.	CONTRACT NO. 76T08		
	DATE -	REVISED -							ILLINOIS FED. AID PROJECT		



**(26TH ST.) EXISTING TYPICAL SECTION**

STA. 0+28 TO STA. 11+60  
 (BRIDGE OMISSION: STA. 11+60 TO STA. 16+08)  
 STA. 16+08 TO STA. 27+21

**LEGEND**

- ① EXISTING SUB-BASE COURSE 4"
- ② EXISTING PCC PAVEMENT 9"
- ③ EXISTING LEVELING BINDER (MM) 3/4"
- ④ EXISTING HMA SURFACE COURSE, CLASS I, MIX D, 1 1/4"
- ⑤ EXISTING CURB & GUTTER

MODEL: Default  
 FILE NAME: p:\project\0876872\CADD\0876872\CADD\0876872\CADD\0876872\0876872-01-dtbls.dwg

USER NAME = Rahshun, Miller PLOT SCALE = 100,0000' / in. PLOT DATE = 3/13/2023	DESIGNED - DRAWN - CHECKED - DATE -	REVISED - REVISED - REVISED - REVISED -	<b>STATE OF ILLINOIS DEPARTMENT OF TRANSPORTATION</b>	<b>TYPICAL SECTION</b>	F.A.U. RTE. 9228A SECTION (Z-1)PP COUNTY ST. CLAIR TOTAL SHEETS 7 SHEET NO. 4 CONTRACT NO. 76T08 ILLINOIS FED. AID PROJECT
			SCALE: NTS	SHEET 1 OF 1 SHEETS	STA. TO STA.

# CLASS C PATCHING 11"

STATION	DRIVING LANE/TURN LANE	LENGTH	WIDTH	CLASS C PATCHING			
				TY-I	TY-II	TY-III	TY-IV
		FT	FT	SQ YDS	SQ YDS	SQ YDS	SQ YDS
<b>NORTHBOUND</b>	<b>DL / TL</b>						
16+58	DL	6	11		7		
16+74	DL	6	12		8		
16+90	DL	8	11		10		
16+90	TL	6	11		7		
17+21	DL	6	12		8		
17+21	TL	6	11		7		
17+38	DL	6	12		8		
17+46	DL	6	11		7		
17+92	DL	6	11		7		
18+02	DL	6	6	4			
18+50	DL	6	25			17	
19+20	DL	6	6	4			
22+78	DL	38	12				51
23+52	DL	26	20				58
24+50	DL	6	6	4			
25+17	DL	6	6	4			
25+28	DL	6	21		14		
25+42	DL	7	20			16	
26+08	DL	8	12		11		
<b>SOUTHBOUND</b>							
23+52	DL	36	20				80
26+16	DL	34	20				76
<b>SUB TOTAL :</b>				16	95	32	264
<b>PROJECTED FAILURES 10%</b>				2	10	3	26
<b>TOTAL :</b>				18	105	35	290

MODEL: Default  
 FILE: \\miller-001\idirect-cw-beadley.com\P\W\DOT\Documents\DOT\_Offices\Dir\dir\_8\Project\0876872\CAD\Drawings\CAD\Sheet\0876872-shc-dtblk.com

USER NAME = Rahshun,Miller PLOT SCALE = 100,0000 ' / in. PLOT DATE = 3/13/2023	DESIGNED - DRAWN - CHECKED - DATE -	REVISED - REVISED - REVISED - REVISED -	<b>STATE OF ILLINOIS DEPARTMENT OF TRANSPORTATION</b>	<b>SCHEDULE OF QUANTITIES</b>	F.A.U. RTE. 9228A SECTION (Z-1)PP COUNTY ST. CLAIR TOTAL SHEETS 7 SHEET NO. 5 CONTRACT NO. 76T08 ILLINOIS FED. AID PROJECT
			SCALE: NTS	SHEET 1 OF 2 SHEETS	STA. TO STA.

## PAVEMENT MARKING SCHEDULE

STATION	TO	STATION	LENGTH	4" YELLOW PAINT		SHORT TERM PAVEMENT MARKING (ONE LIFT)	SHORT TERM PAVEMENT MARKING REMOVAL	RAISDE REFLECTIVE PAVEMENT MARKERS 2-WAY AMBER		
				SKIP- DASH	SOLID					
NORTHBOUND			FT	FOOT	FOOT	FOOT	SQ FT	EACH		
+28	TO	1+28	100							
1+28	TO	2+28	100							
2+28	TO	3+28	100							
3+28	TO	4+28	100							
4+28	TO	5+28	100							
5+28	TO	6+28	100							
6+28	TO	7+28	100							
7+28	TO	8+28	100							
8+28	TO	9+28	100							
9+28	TO	10+28	100							
10+28	TO	11+28	100							
11+28	TO	11+60	32							
11+60	TO	16+08	448	BRIDGE OMISSION						
16+08	TO	17+08	100		12	12	4	2		
17+08	TO	18+08	100		12	12	4	2		
18+08	TO	19+08	100		12	12	4	2		
19+08	TO	20+08	100		12	12	4	2		
20+08	TO	21+08	100		12	12	4	2		
21+08	TO	22+08	100		12	12	4	2		
22+08	TO	23+08	100		38	38	13	2		
23+08	TO	24+08	100	6		6	2	2		
24+08	TO	25+08	100	3		3	1	2		
25+08	TO	26+08	100	3		3	1	2		
26+08	TO	27+21	113	2		2	1	2		
SOUTHBOUND										
23+52	TO	24+53	101	9		9	3	2		
26+16	TO	27+21	105	8		8	3	2		
SUB TOTAL :				31	110					
<b>TOTAL :</b>				141		141	47	26		

MODEL: Default  
 FILE: \\MAILSrv\pub\lisset-aw-beadley.com\PIV\DOT\Documents\DOT\_Offices\Dir\dr. B\Project\0876872\CADD\Drawings\CADD\Sheet\0876872-ah-detaile.com

USER NAME = Rahshun, Miller	DESIGNED -	REVISED -
	DRAWN -	REVISED -
PLOT SCALE = 100,0000' / in.	CHECKED -	REVISED -
PLOT DATE = 3/13/2023	DATE -	REVISED -

**STATE OF ILLINOIS  
DEPARTMENT OF TRANSPORTATION**

**SCHEDULE OF QUANTITIES**

SCALE: NTS      SHEET 1 OF 2 SHEETS      STA.      TO STA.

F.A.U. RTE.	SECTION	COUNTY	TOTAL SHEETS	SHEET NO.
9228A	(Z-1)PP	ST. CLAIR	7	6
CONTRACT NO. 76T08				
ILLINOIS FED. AID PROJECT				

BEGIN PROJECT:

STA. 0+28  
(BOND AVE.)

END PROJECT:

STA. 27+21  
(IL 15)



15

(IL 15)

26TH ST.

E. BROADWAY STA. 18+44

KANSAS AVE. STA. 23+21

OLD MISSOURI AVE STA. 27+21

0131

FAU 9228A

26TH ST.

BOND AVE. STA. 0+28

MCCASLAND AVE

STA. 3+61

BRIDGE OMISSION:  
STA. 11+60 TO STA. 16+08  
(448 FT)

15

MODEL: P:\default  
FILE: 3\13\2023\p11\DOT\Documents\DOT\_Offices\Dir\dr. 8\Project\0876872\CAD\Drawings\CAD\Sheet\0876872-ah-databk.com

USER NAME = Rahshun,Miller	DESIGNED -	REVISED -
	DRAWN -	REVISED -
PLOT SCALE = 100,0000' / in.	CHECKED -	REVISED -
PLOT DATE = 3/13/2023	DATE -	REVISED -

**STATE OF ILLINOIS  
DEPARTMENT OF TRANSPORTATION**

**LOCATION MAP**

SCALE: NTS      SHEET 1 OF 1 SHEETS      STA.      TO STA.

F.A.U. RTE. 9228A	SECTION (Z-1)PP	COUNTY ST. CLAIR	TOTAL SHEETS 7	SHEET NO. 7
CONTRACT NO. 76T08			ILLINOIS FED. AID PROJECT	