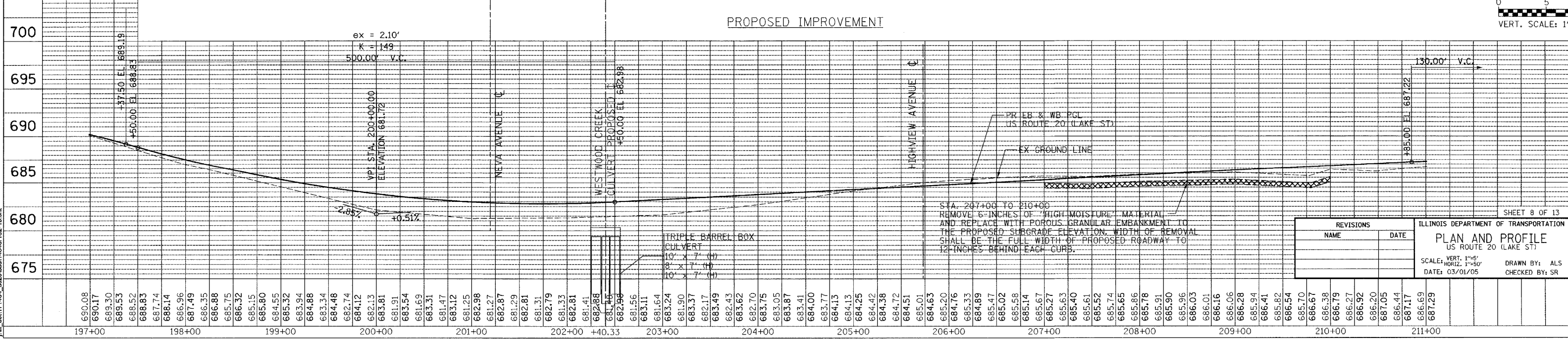
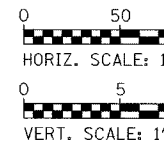
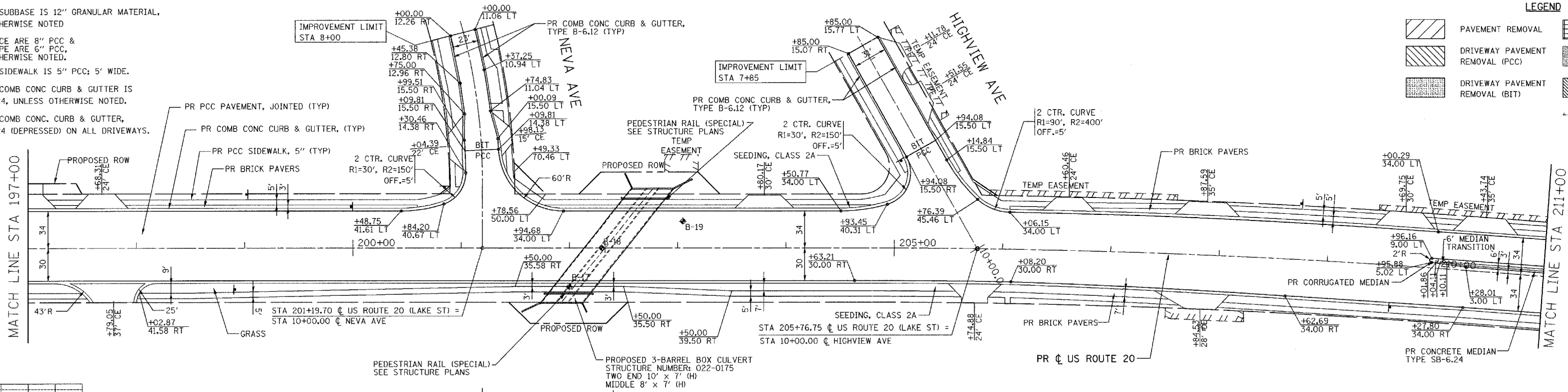
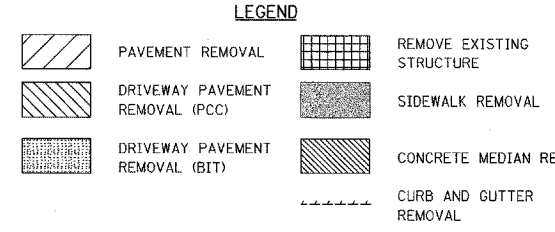


- NOTES:**
1. PROPOSED PCC PAVEMENT IS 9-3/4", UNLESS OTHERWISE NOTED
  2. PROPOSED SUBBASE IS 12" GRANULAR MATERIAL, UNLESS OTHERWISE NOTED
  3. PROPOSED CE ARE 8" PCC & PROPOSED PE ARE 6" PCC, UNLESS OTHERWISE NOTED.
  4. PROPOSED SIDEWALK IS 5" PCC; 5' WIDE.
  5. PROPOSED COMB CONC CURB & GUTTER IS TYPE B-6.24, UNLESS OTHERWISE NOTED.
  6. PROPOSED COMB CONC. CURB & GUTTER, TYPE B-6.24 (DEPRESSED) ON ALL DRIVEWAYS.



REVISIONS		DATE
NAME		

ILLINOIS DEPARTMENT OF TRANSPORTATION  
**PLAN AND PROFILE**  
 US ROUTE 20 (LAKE ST)  
 SCALE: VERT. 1"=5'  
 HORIZ. 1"=50'  
 DATE: 03/01/05  
 DRAWN BY: ALS  
 CHECKED BY: SR