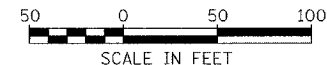
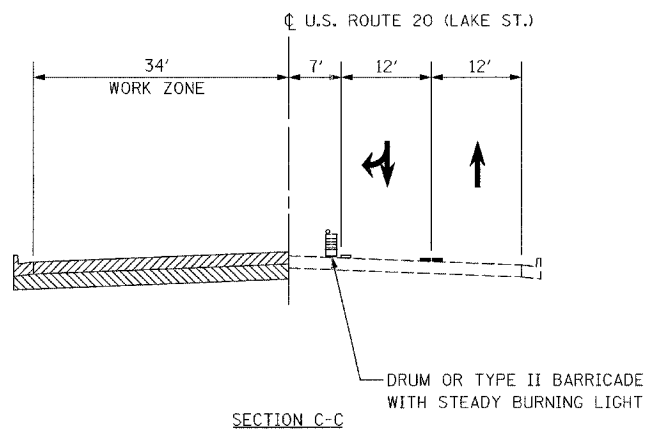
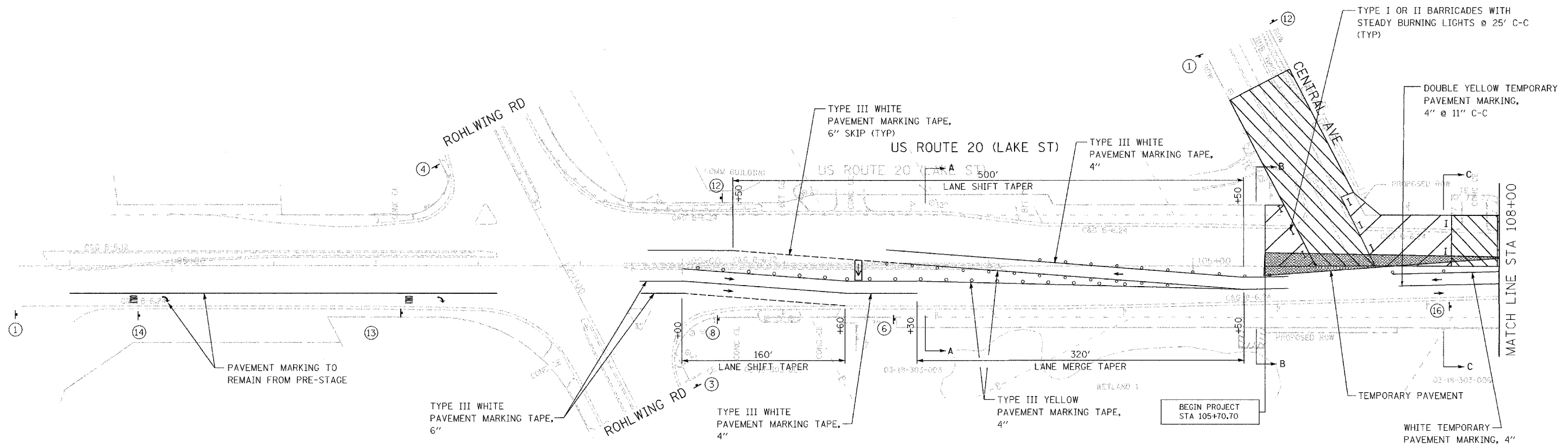
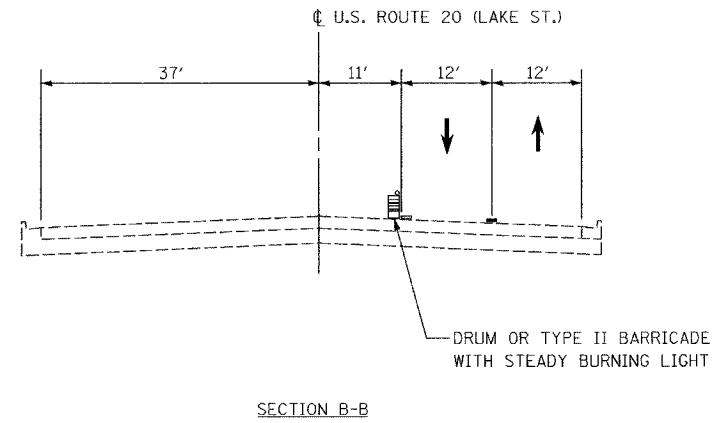
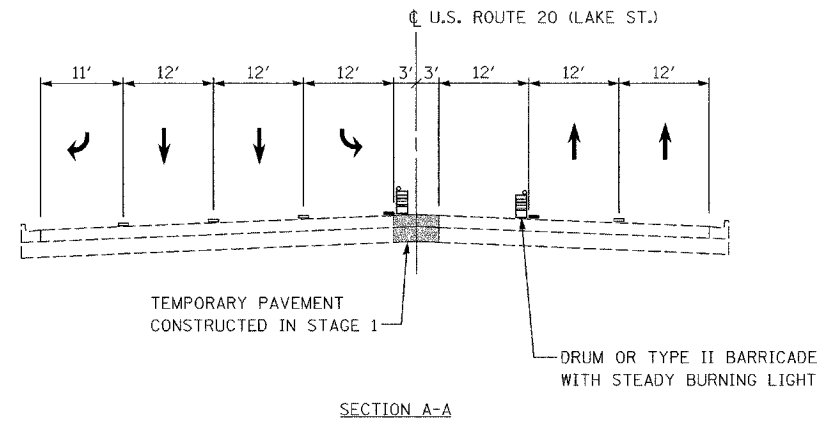


F.A.U. RTE.	SECTION	COUNTY	TOTAL SHEETS	SHEET NO.
3537	5Y-R-4	DUPAGE	392	89
BEGINNING OF PROJECT		TO STA 108+00		
FED. ROAD DIST. NO. 1		ILLINOIS	FED. AID PROJECT	
CONTRACT NO. 62295				



REVISIONS	
NAME	DATE

ILLINOIS DEPARTMENT OF TRANSPORTATION

**MAINTENANCE OF TRAFFIC**  
**STAGE I**

US ROUTE 20 (LAKE STREET)

SCALE: 1"=50'

DATE: 03/01/05

DRAWN BY: JEC  
CHECKED BY: KN

J:\11\_001171454\_us20\cas11464\m1101-1d.sht