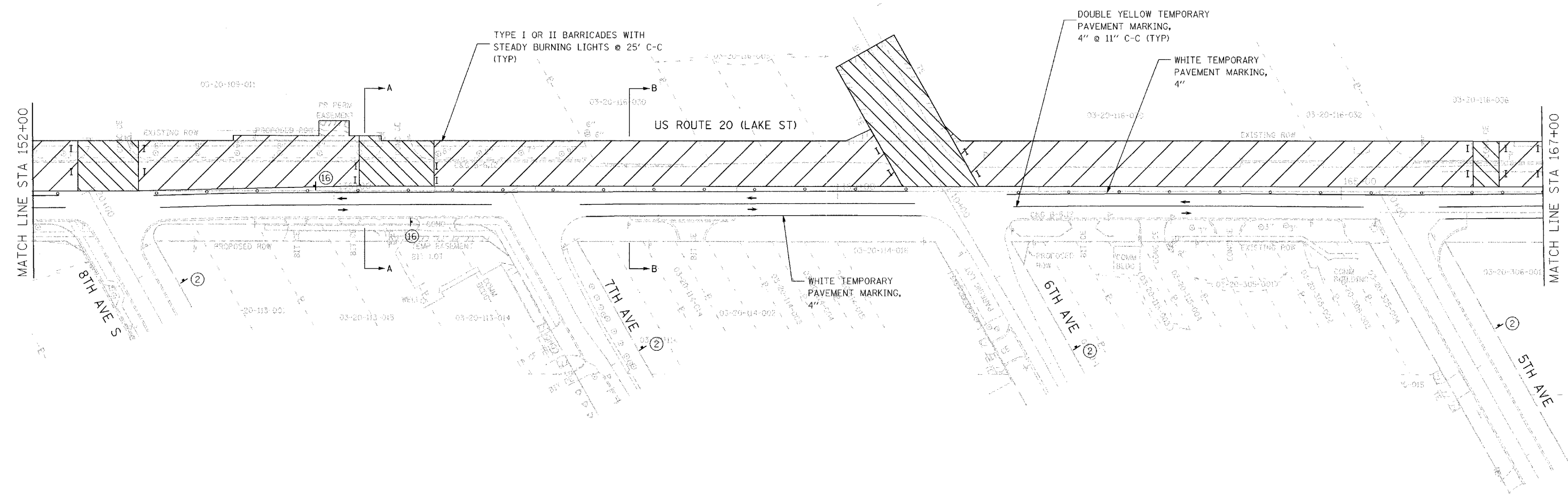
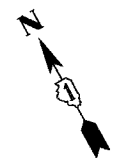
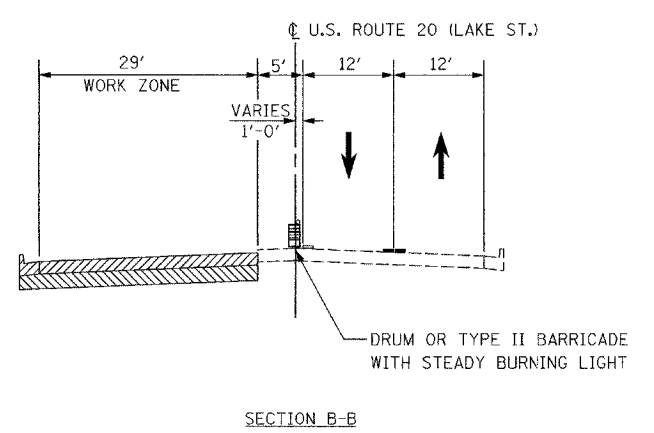
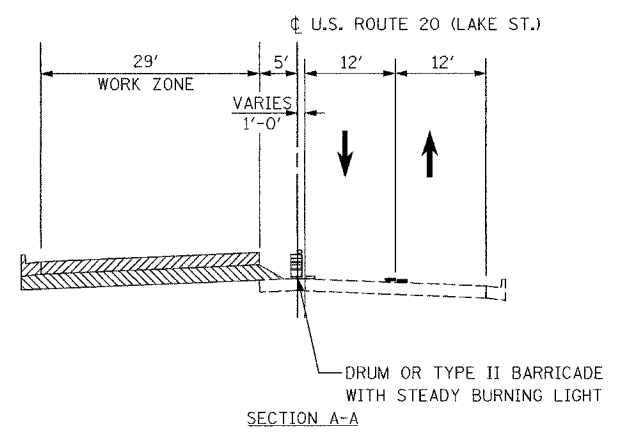


F.A.U. RTE.	SECTION	COUNTY	TOTAL SHEETS	SHEET NO.
3537	5Y-R-4	DUPAGE	392	93
STA 152+00		TO STA 167+00		
FED. ROAD DIST. NO. 1 ILLINOIS FED. AID PROJECT				
CONTRACT NO. 62295				



J:\11_dct171464_us20\cadd\1464m1101-1b.sht

REVISIONS	
NAME	DATE

ILLINOIS DEPARTMENT OF TRANSPORTATION

MAINTENANCE OF TRAFFIC
STAGE I

US ROUTE 20 (LAKE STREET)

SCALE: 1"=50'
DATE: 03/01/05

DRAWN BY JEC
CHECKED BY KN

