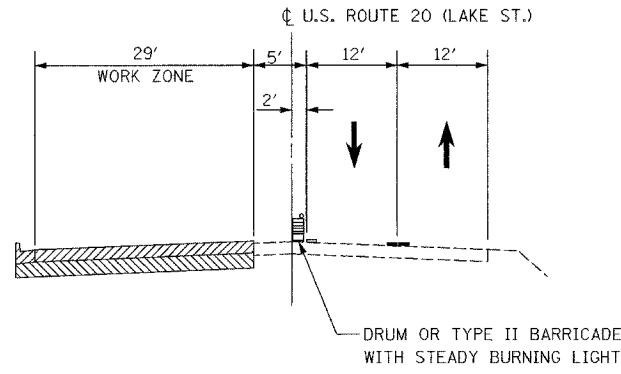
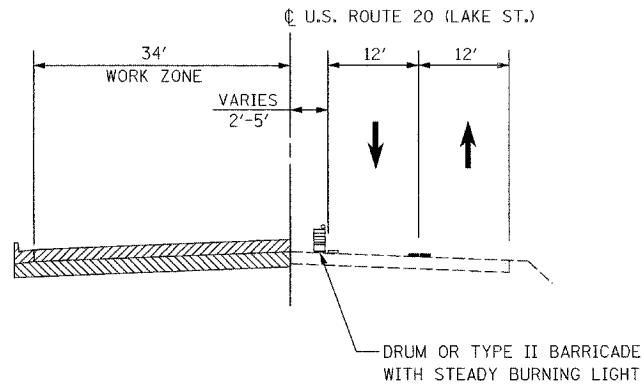


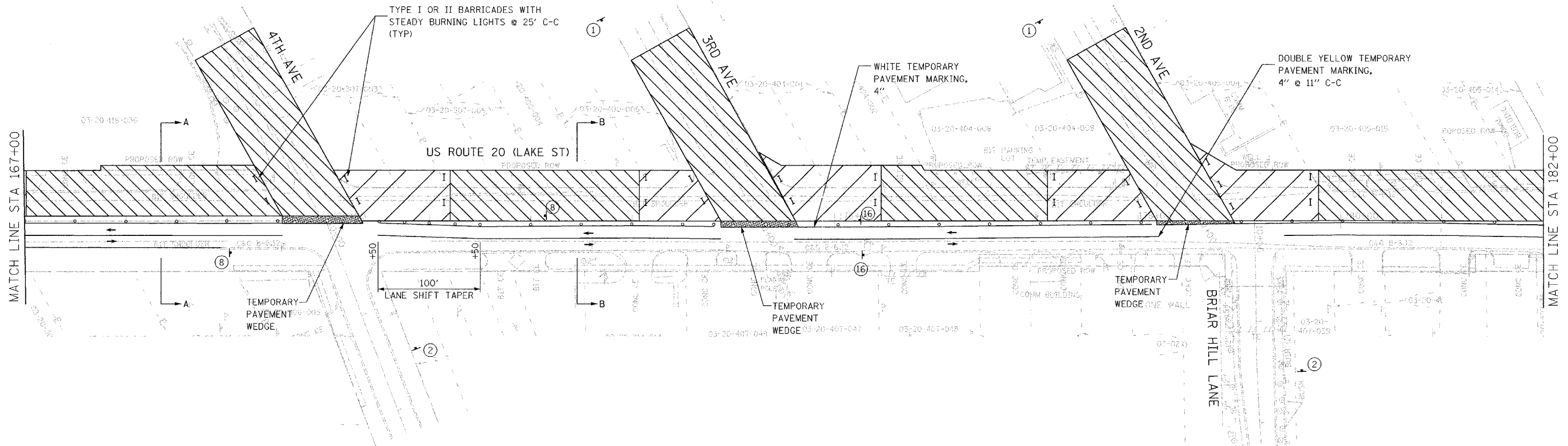
F.A.U. RTE.	SECTION	COUNTY	TOTAL SHEETS	SHEET NO.
3537	5Y-R-4	DUPAGE	392	94
STA 167+00		TO STA 182+00		
FED. ROAD DIST. NO. 1 ILLINOIS FED. AID PROJECT				
CONTRACT NO. 62295				



SECTION A-A



SECTION B-B



REVISIONS	
NAME	DATE

ILLINOIS DEPARTMENT OF TRANSPORTATION

MAINTENANCE OF TRAFFIC
STAGE I

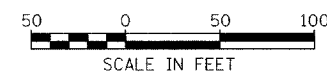
US ROUTE 20 (LAKE STREET)

SCALE: 1"=50'

DATE: 03/01/05

DRAWN BY JEC

CHECKED BY KN



J:\ill_dot\171484_0320\03\1484\101-1b.dwg