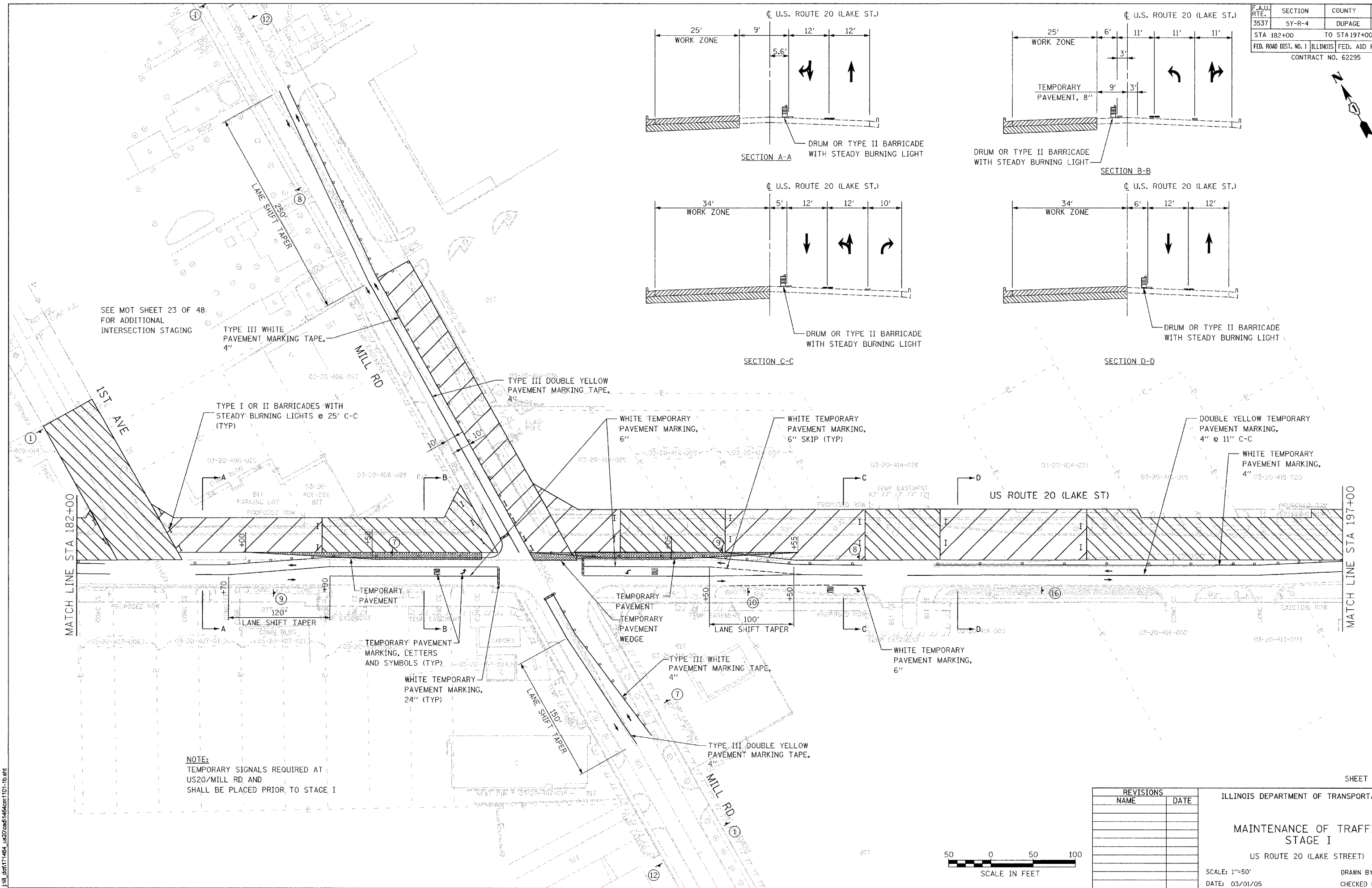
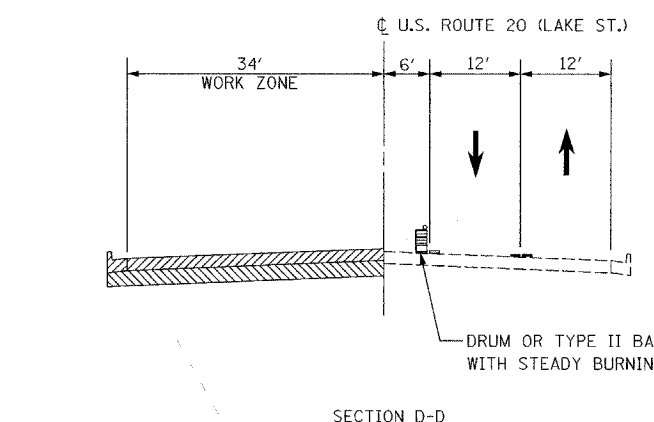
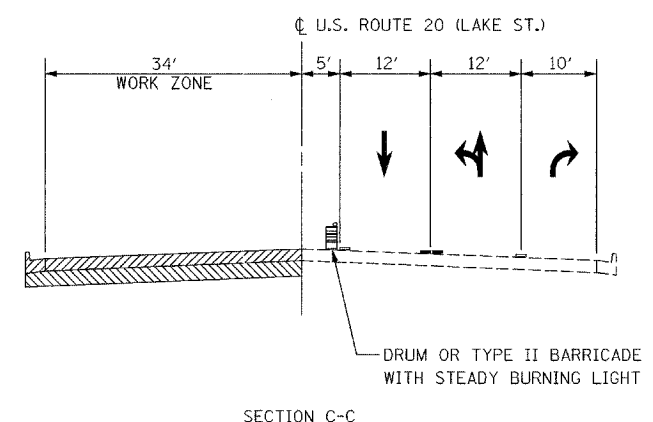
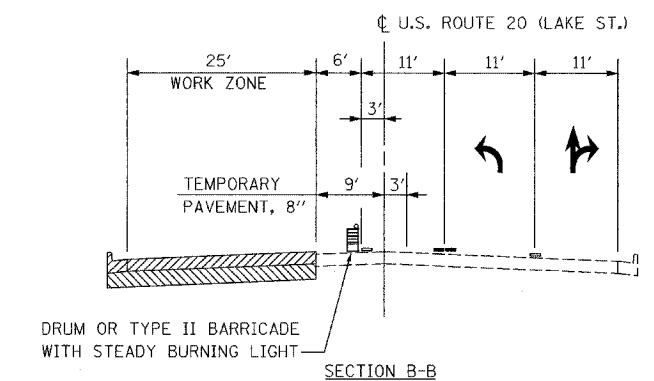
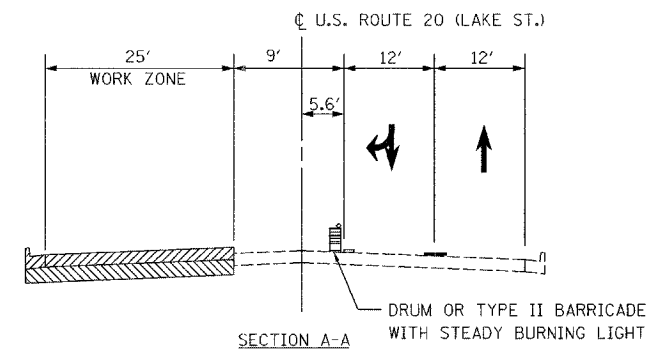
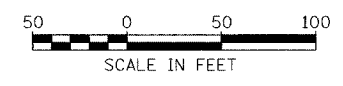


F.A.U. RTE.	SECTION	COUNTY	TOTAL SHEETS	SHEET NO.
3537	5Y-R-4	DUPAGE	392	95
STA 182+00		TO STA 197+00		
FED. ROAD DIST. NO. 1		ILLINOIS FED. AID PROJECT		
CONTRACT NO. 62295				



SEE MOT SHEET 23 OF 48 FOR ADDITIONAL INTERSECTION STAGING

**NOTE:**  
TEMPORARY SIGNALS REQUIRED AT US20/MILL RD. AND SHALL BE PLACED PRIOR TO STAGE I



REVISIONS	
NAME	DATE

ILLINOIS DEPARTMENT OF TRANSPORTATION

**MAINTENANCE OF TRAFFIC STAGE I**

US ROUTE 20 (LAKE STREET)

SCALE: 1"=50'  
DATE: 03/01/05

DRAWN BY JEC  
CHECKED BY KN