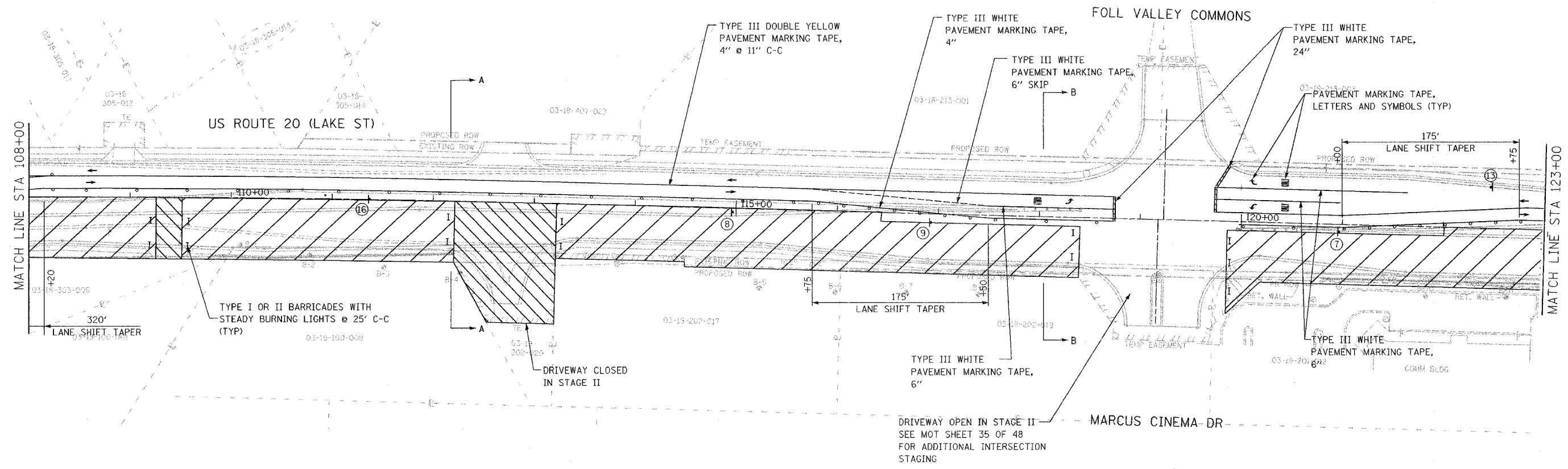
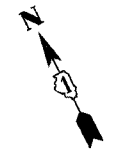
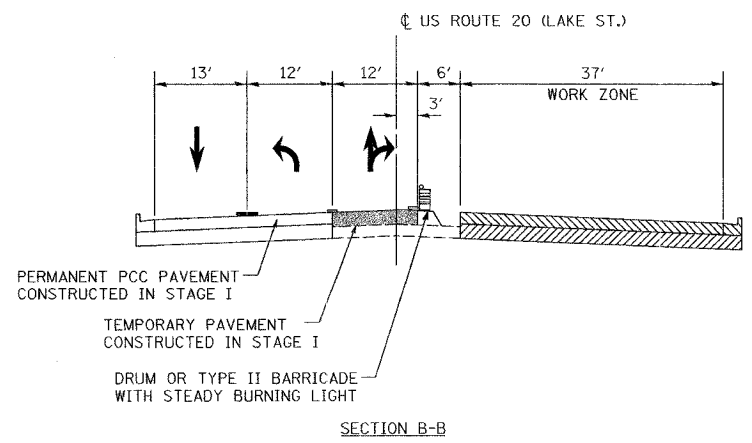
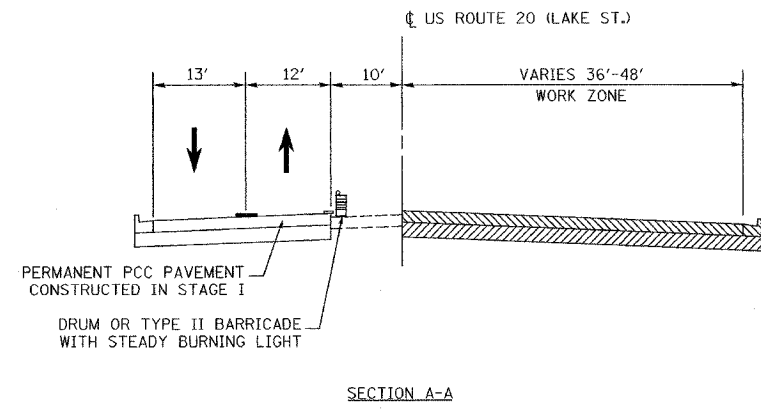
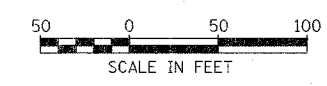


F.A.U. RTE.	SECTION	COUNTY	TOTAL SHEETS	SHEET NO.
3537	5Y-R-4	DUPAGE	392	105
STA 108+00		TO STA 123+00		
FED. ROAD DIST. NO. 1		ILLINOIS FED. AID PROJECT		
CONTRACT NO. 62295				



NOTE:  
TRAFFIC SIGNALS REQUIRED AT  
US 20/MARCUS CINEMA DR AND  
SHALL BE PLACED PRIOR TO STAGE I

SHEET 26 OF 48



REVISIONS	
NAME	DATE

ILLINOIS DEPARTMENT OF TRANSPORTATION

**MAINTENANCE OF TRAFFIC  
STAGE II**

US ROUTE 20 (LAKE STREET)

SCALE: 1"=50'  
DATE: 03/01/05

DRAWN BY JEC  
CHECKED BY KN

J:\w\_d\171484\_us20\171484\171484.dwg 1/16/05