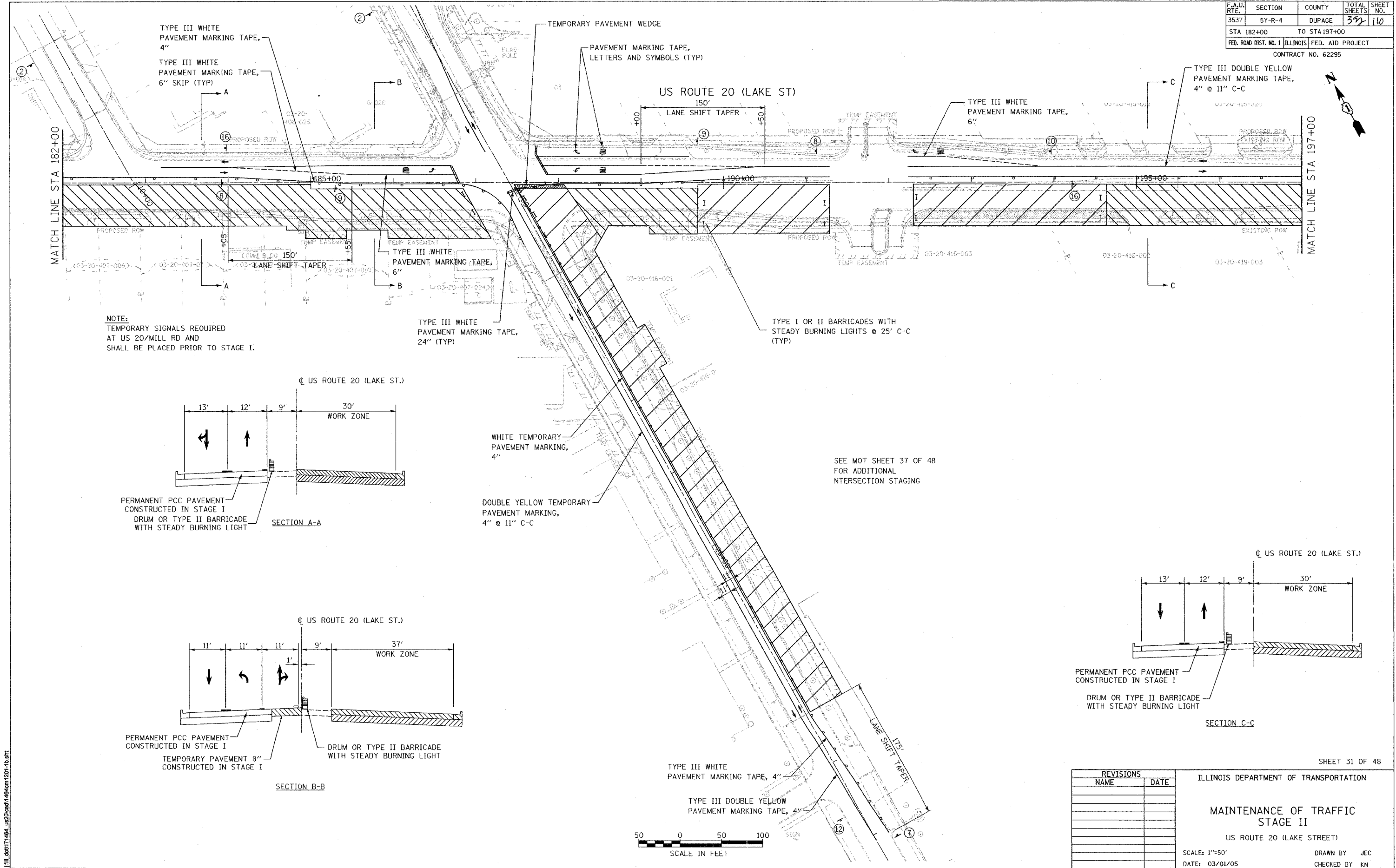
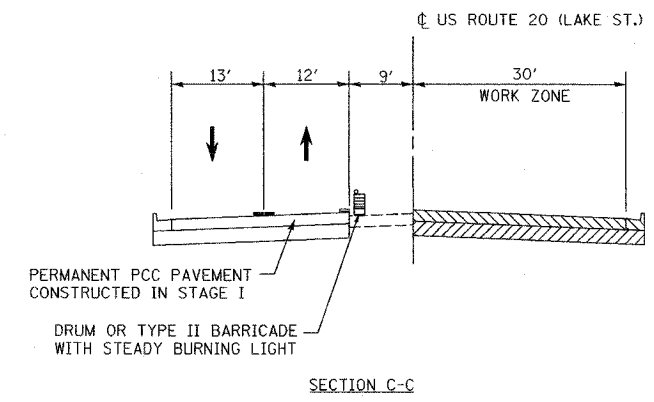
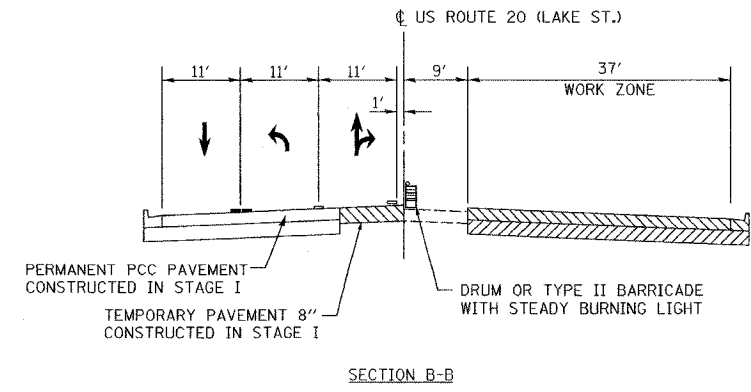
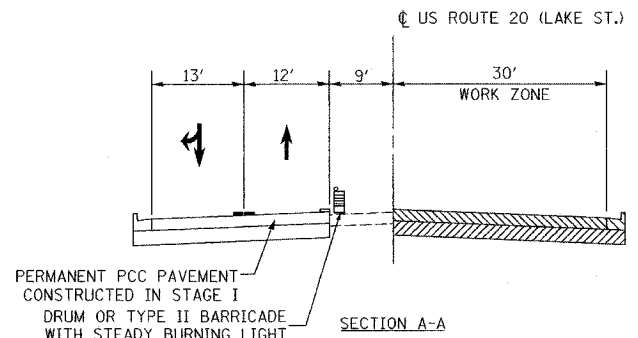


F.A.U. RTE.	SECTION	COUNTY	TOTAL SHEETS	SHEET NO.
3537	5Y-R-4	DUPAGE	392	110
STA 182+00		TO STA 197+00		
FED. ROAD DIST. NO. 1 ILLINOIS FED. AID PROJECT				
CONTRACT NO. 62295				



NOTE:
TEMPORARY SIGNALS REQUIRED AT US 20/MILL RD AND SHALL BE PLACED PRIOR TO STAGE I.



SEE MOT SHEET 37 OF 48 FOR ADDITIONAL INTERSECTION STAGING

REVISIONS	
NAME	DATE

ILLINOIS DEPARTMENT OF TRANSPORTATION

MAINTENANCE OF TRAFFIC STAGE II

US ROUTE 20 (LAKE STREET)

SCALE: 1"=50'

DATE: 03/01/05

DRAWN BY: JEC

CHECKED BY: KN

J:\11_dett171464_us20\east1464km1201-1b.dwg