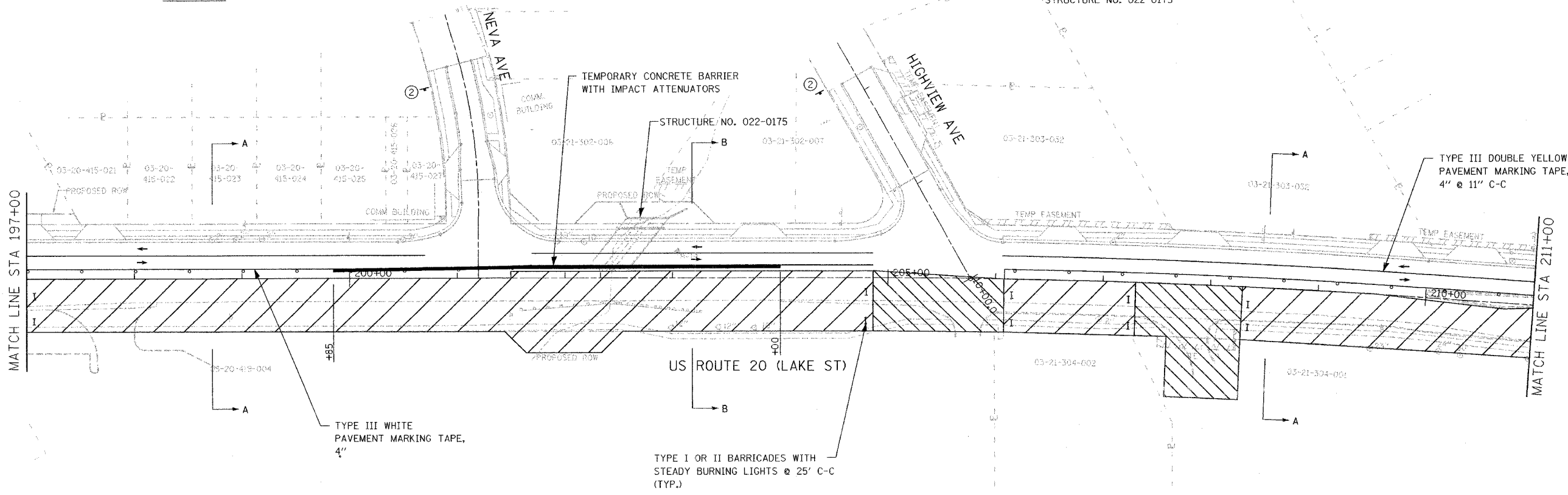
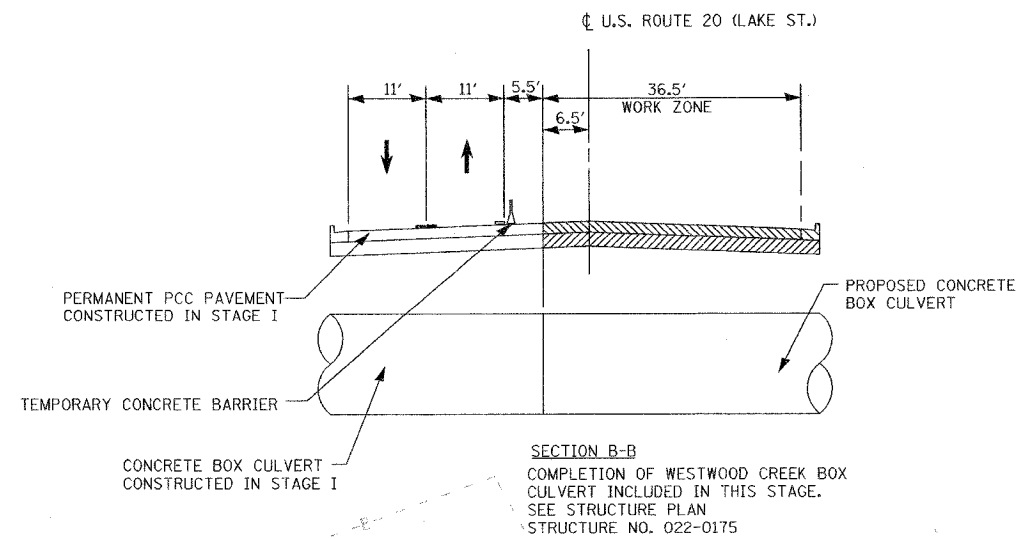
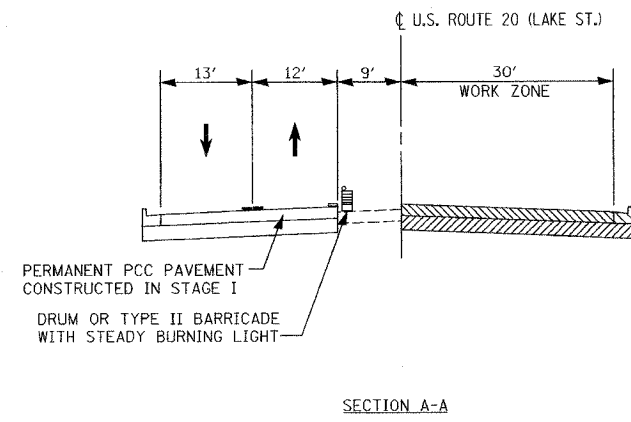


F.A.U. RTE.	SECTION	COUNTY	TOTAL SHEETS	SHEET NO.
3537	5Y-R-4	DUPAGE	392	111
STA 197+00		TO STA 211+00		
FED. ROAD DIST. NO. 1		ILLINOIS	FED. AID PROJECT	
CONTRACT NO. 62295				



REVISIONS	
NAME	DATE

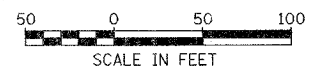
ILLINOIS DEPARTMENT OF TRANSPORTATION

**MAINTENANCE OF TRAFFIC**  
**STAGE II**

US ROUTE 20 (LAKE STREET)

SCALE: 1"=50'  
DATE: 03/01/05

DRAWN BY JEC  
CHECKED BY KN



J:\111\_00117\_1464\_us20\asb1464cm1202-1b.dwg