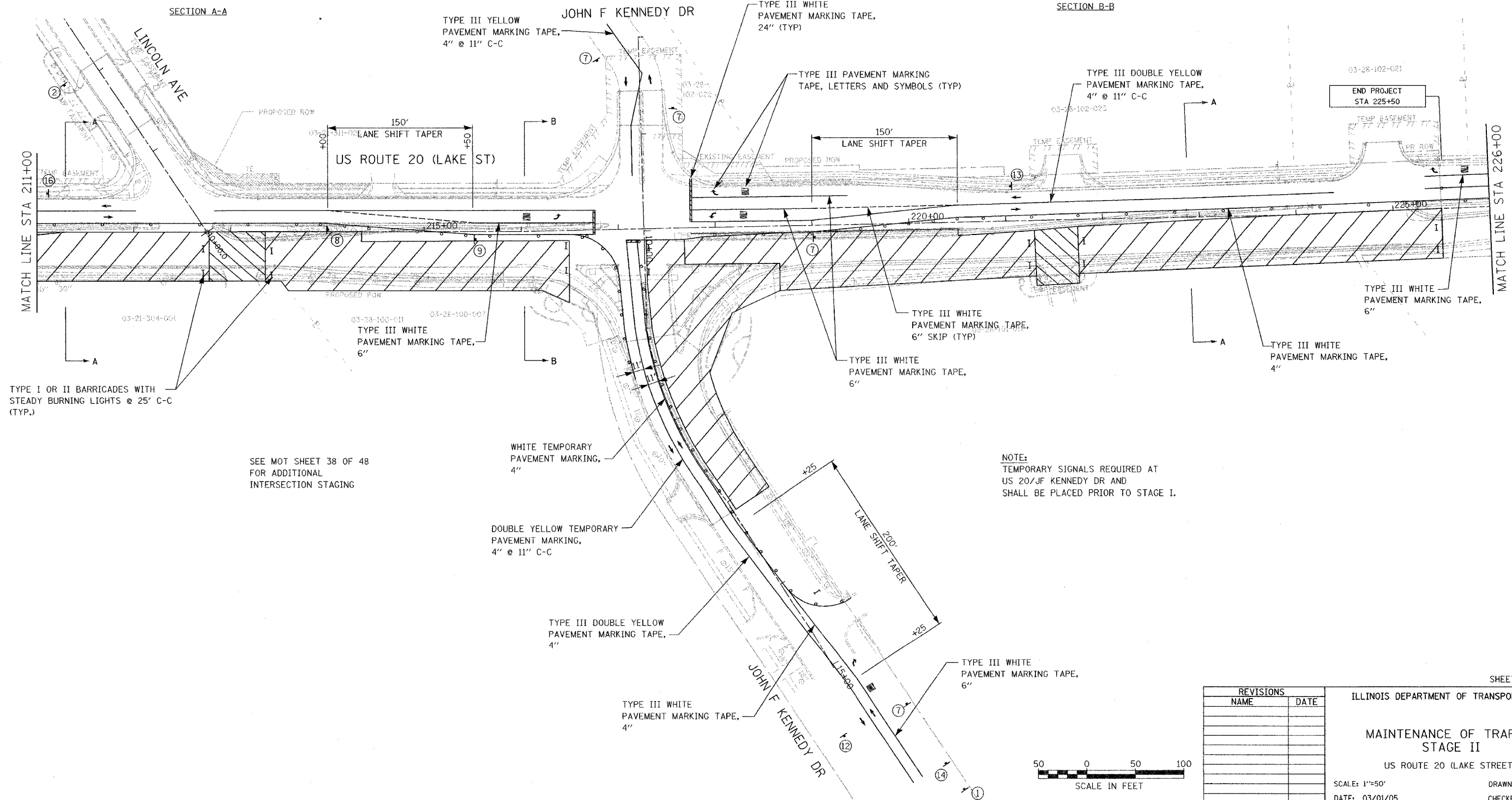
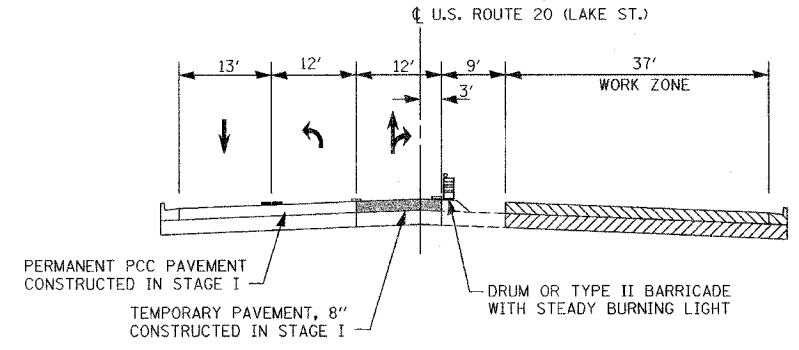
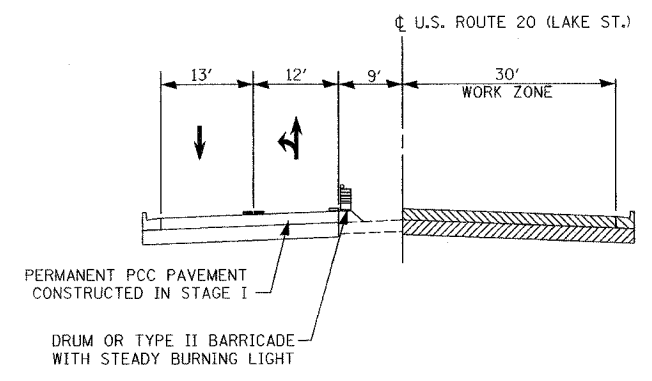
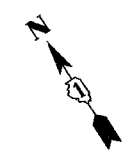
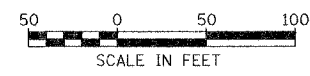


F.A.U. RTE.	SECTION	COUNTY	TOTAL SHEETS	SHEET NO.
3537	5Y-R-4	DUPAGE	392	112
STA 211+00		TO STA 226+00		
FED. ROAD DIST. NO. 1 ILLINOIS FED. AID PROJECT				
CONTRACT NO. 62295				



SEE MOT SHEET 38 OF 48 FOR ADDITIONAL INTERSECTION STAGING

NOTE: TEMPORARY SIGNALS REQUIRED AT US 20/JF KENNEDY DR AND SHALL BE PLACED PRIOR TO STAGE I.



REVISIONS	
NAME	DATE

SHEET 33 OF 48

ILLINOIS DEPARTMENT OF TRANSPORTATION

MAINTENANCE OF TRAFFIC STAGE II

US ROUTE 20 (LAKE STREET)

SCALE: 1"=50'

DATE: 03/01/05

DRAWN BY JEC
CHECKED BY KN

I:\Illinois\171464_us20\ad11464\cm1202-10.dwg