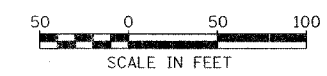
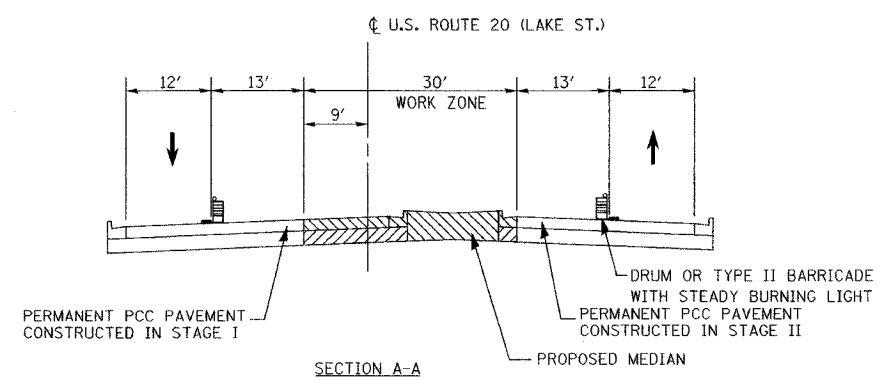
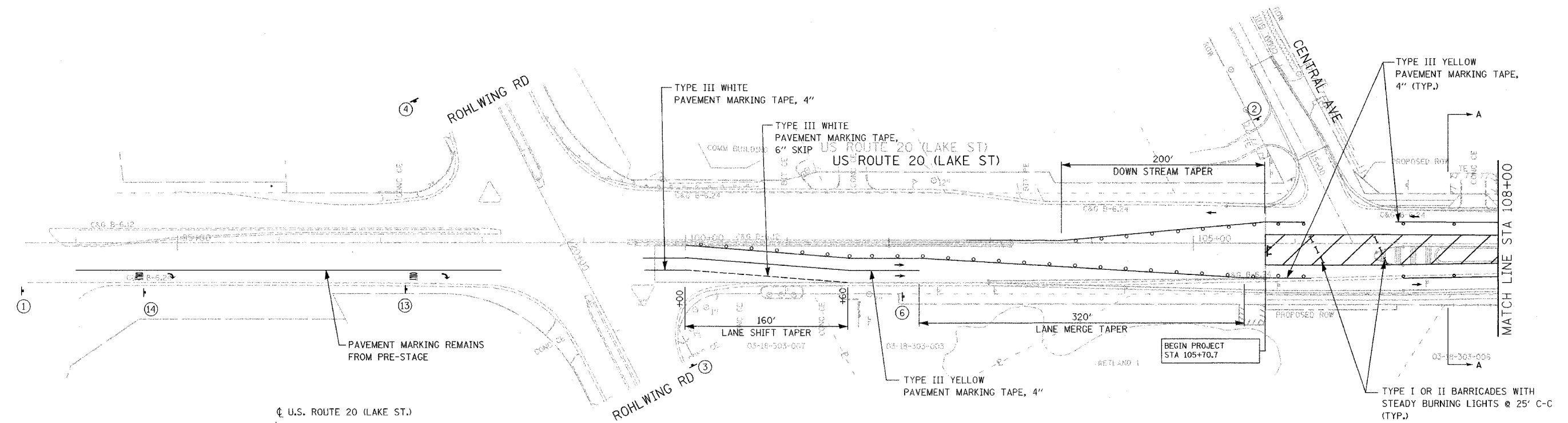
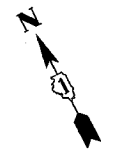


F.A.U. RTE.	SECTION	COUNTY	TOTAL SHEETS	SHEET NO.
3537	5Y-R-4	DUPAGE	392	118
BEGIN OF PROJECT		TO STA 108+00		
FED. ROAD DIST. NO. 1		ILLINOIS FED. AID PROJECT		
CONTRACT NO. 62295				



REVISIONS	
NAME	DATE

ILLINOIS DEPARTMENT OF TRANSPORTATION

**MAINTENANCE OF TRAFFIC  
STAGE III**

US ROUTE 20 (LAKE STREET)

SCALE: 1"=50'  
DATE: 03/01/05

DRAWN BY: JEC  
CHECKED BY: KN

H:\1111\_dcd171484\_u020cad1.484cm1.307-1b.rvt