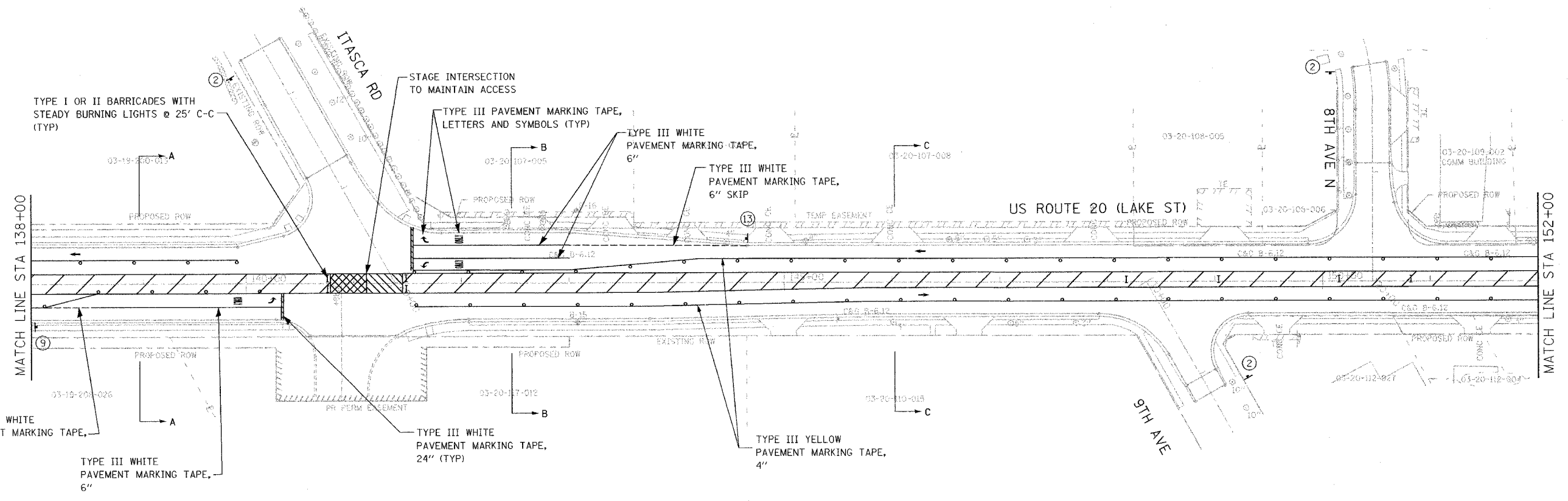
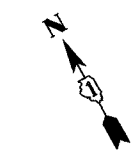
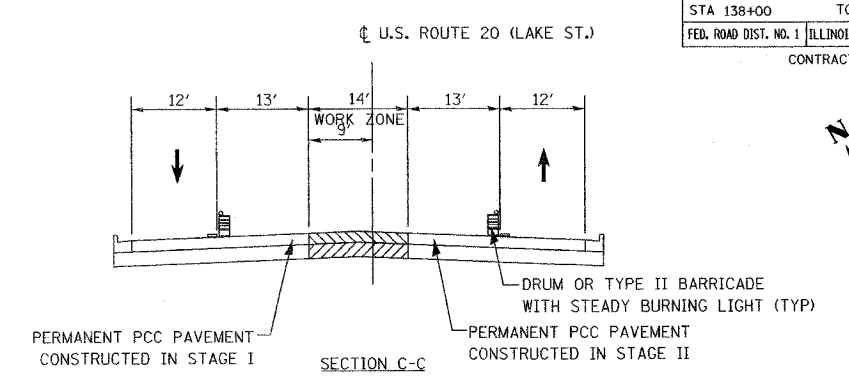
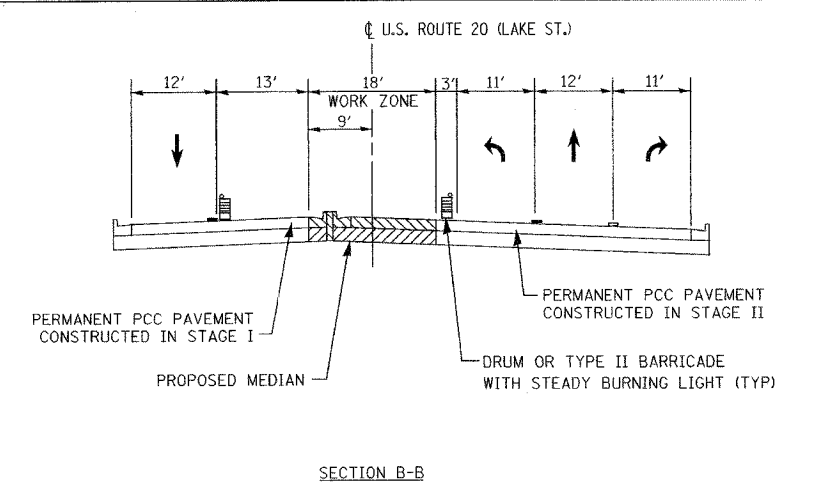
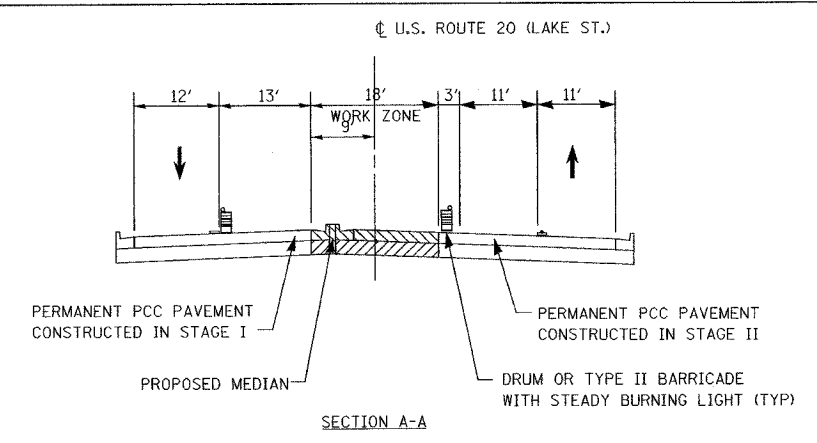
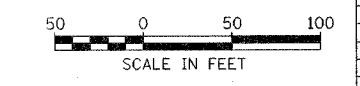


F.A.U. RTE.	SECTION	COUNTY	TOTAL SHEETS	SHEET NO.
3537	5Y-R-4	DUPAGE	392	121
STA 138+00		TO STA 152+00		
FED. ROAD DIST. NO. 1		ILLINOIS FED. AID PROJECT		
CONTRACT NO. 62295				



NOTE:  
 TEMPORARY SIGNALS REQUIRED  
 AT US 20/ITASCA RD  
 AND SHALL BE PLACED PRIOR TO STAGE I.



REVISIONS	
NAME	DATE

ILLINOIS DEPARTMENT OF TRANSPORTATION

**MAINTENANCE OF TRAFFIC  
 STAGE III**

US ROUTE 20 (LAKE STREET)

SCALE: 1"=50'  
 DATE: 03/01/05

DRAWN BY JEC  
 CHECKED BY KN

I:\11\_00\171454\_us20\cad\1464\m1301-1b.sht