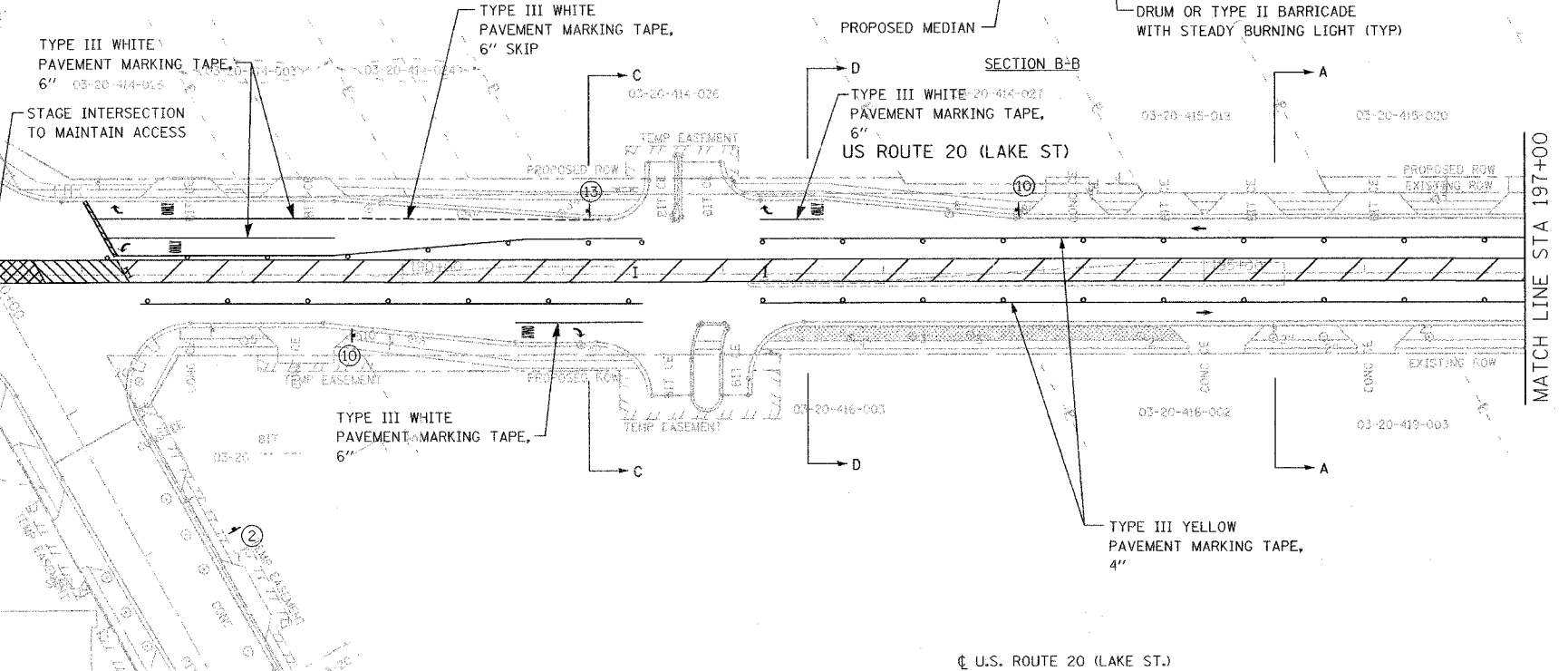
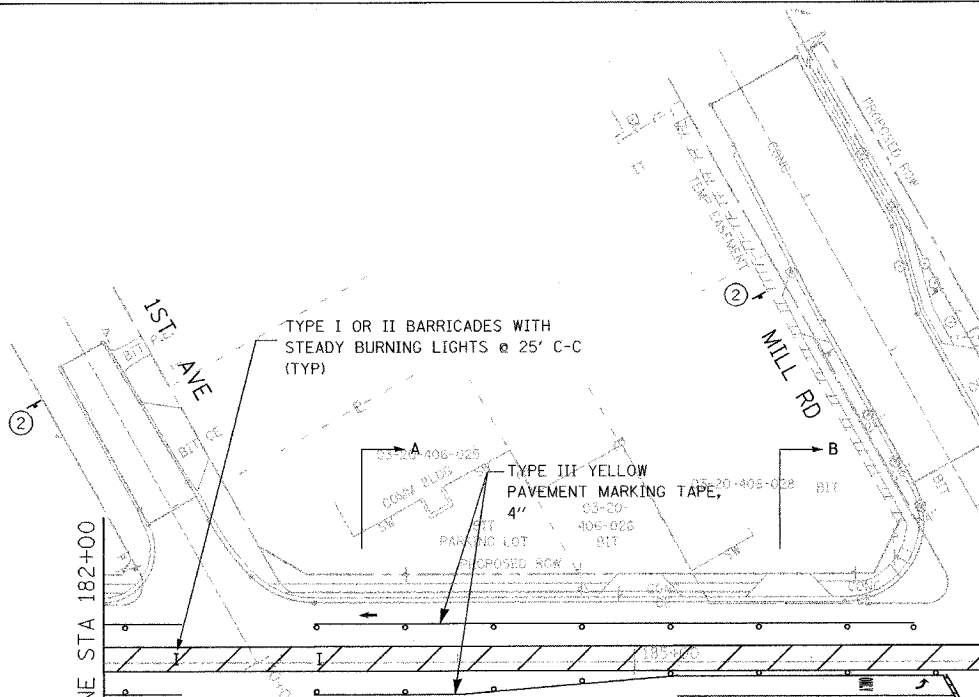
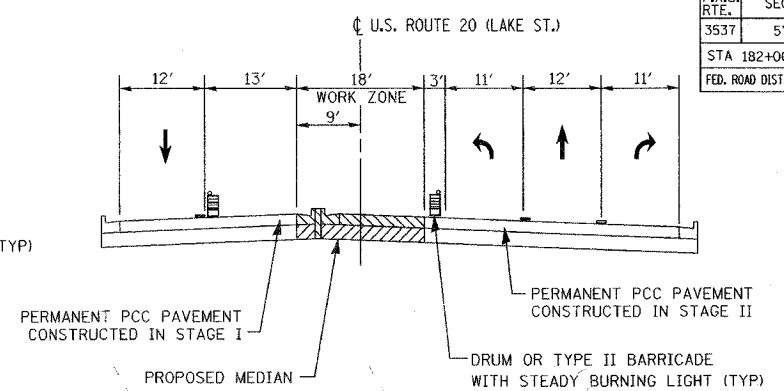
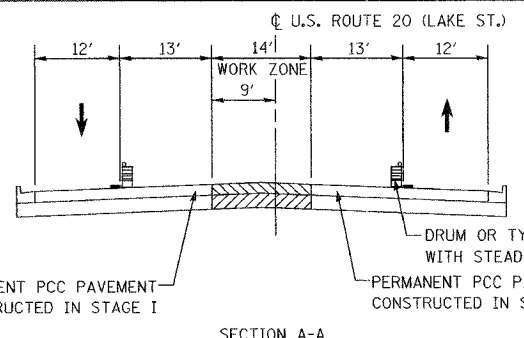
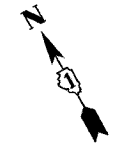
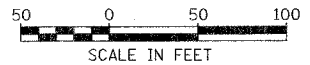
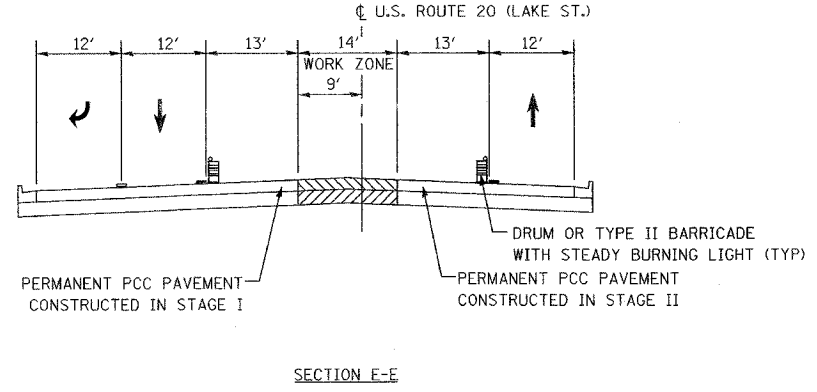
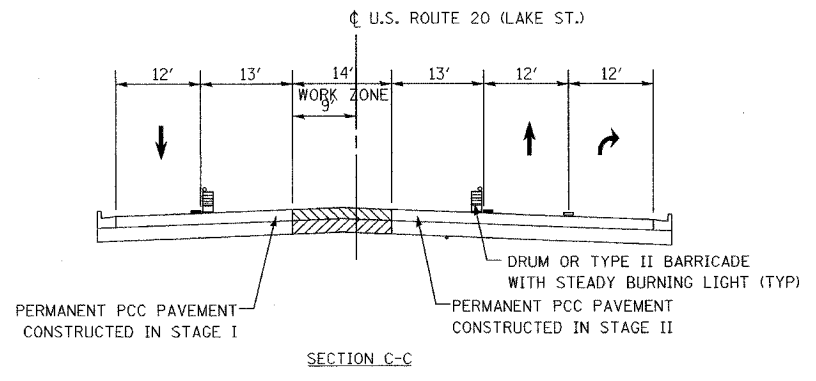


F.A.U. RTE.	SECTION	COUNTY	TOTAL SHEETS	SHEET NO.
3537	5Y-R-4	DUPAGE	392	124
STA 182+00		TO STA 197+00		
FED. ROAD DIST. NO. 1		ILLINOIS FED. AID PROJECT		
CONTRACT NO. 62295				



NOTE:  
TEMPORARY SIGNALS REQUIRED  
AT US 20/MILL RD AND  
SHALL BE PLACED PRIOR TO STAGE I.



REVISIONS	
NAME	DATE

ILLINOIS DEPARTMENT OF TRANSPORTATION

**MAINTENANCE OF TRAFFIC  
STAGE III**

US ROUTE 20 (LAKE STREET)

SCALE: 1"=50'  
DATE: 03/01/05

DRAWN BY JEC  
CHECKED BY KN

J:\11\_001171464\_us20\cad\1464\01-301-10.dwg