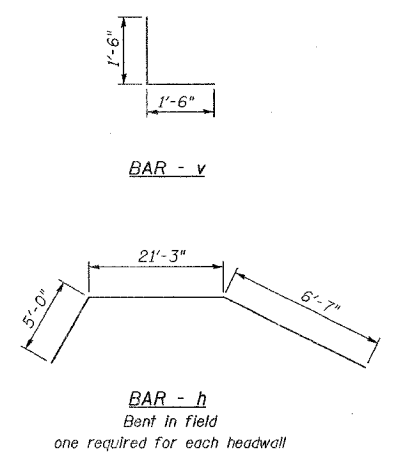
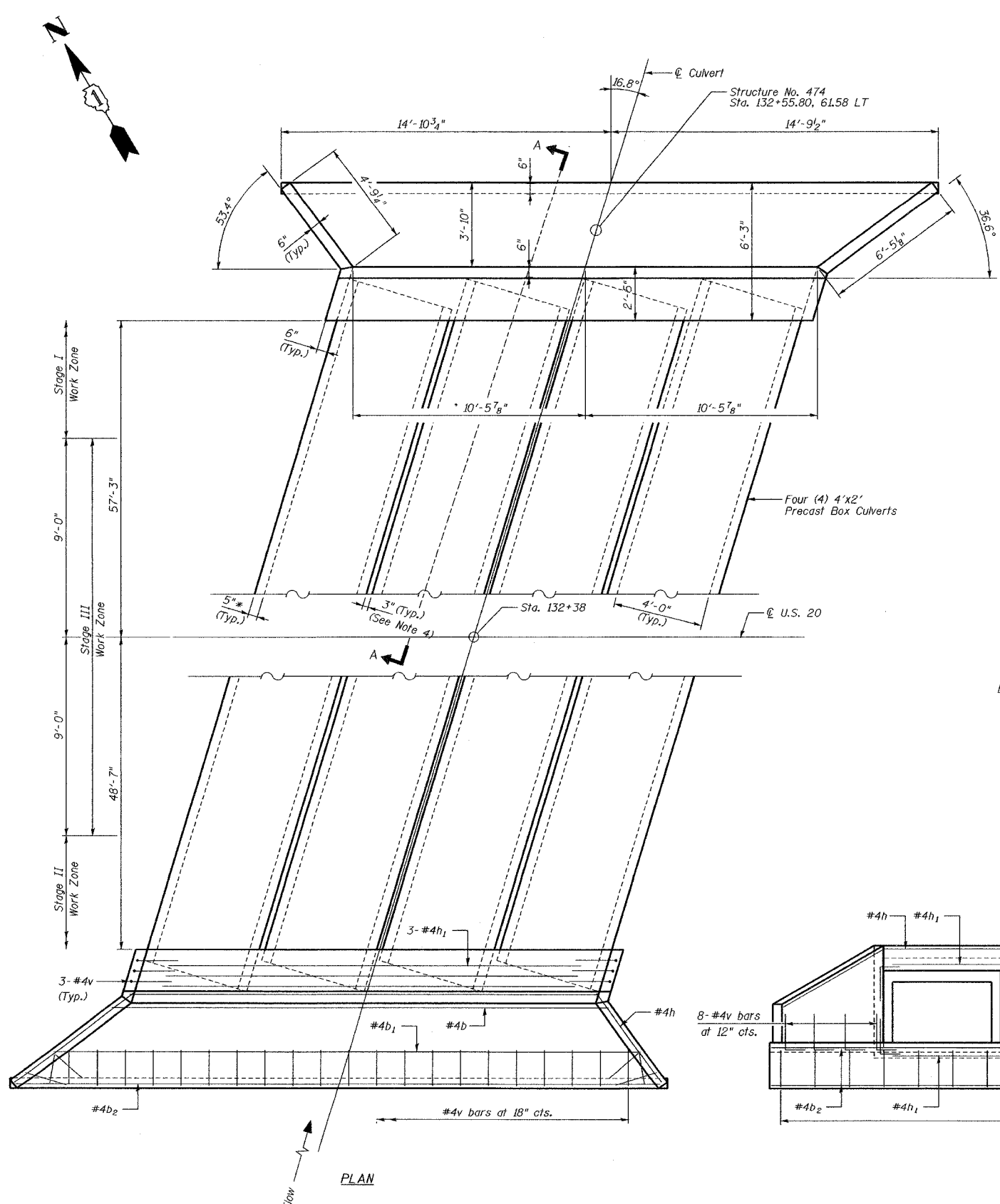
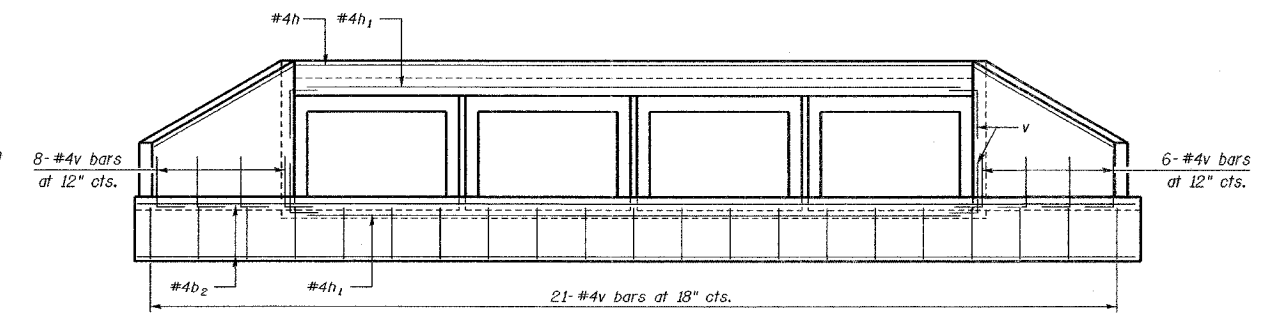
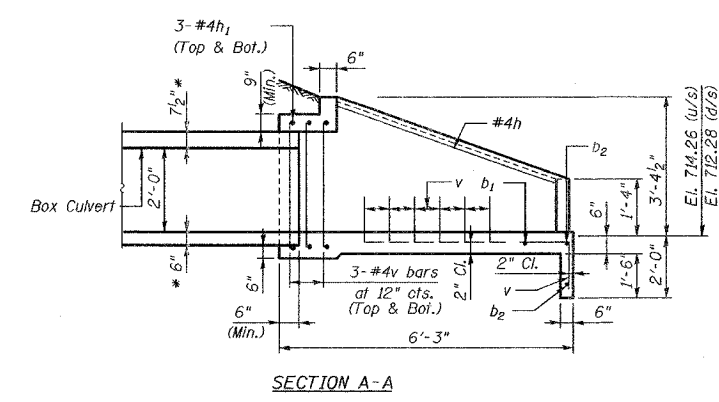


F.A.U. RTE.	SECTION	COUNTY	TOTAL SHEETS	SHEET NO.
3537	5Y-R-4	DUPAGE	392	147
STA.		TO STA.		
FED. ROAD DIST. NO. 1		ILLINOIS FED. AID PROJECT		
CONTRACT NO. 62295				



BILL OF MATERIAL

Bar	No.	Size	Length	Shape
b	2	#4	22'-7"	—
b ₁	2	#4	27'-0"	—
b ₂	4	#4	29'-4"	—
h	2	#4	32'-10"	—
h ₁	12	#4	21'-8"	—
v	94	#4	3'-0"	—
CONCRETE STRUCTURES		Cu. Yd.	11.3	
REINFORCEMENT BARS		Pound	550	
PRECAST CONCRETE BOX CULVERT, 4'x2'		Foot	458	
CAST-IN-PLACE REINFORCED CONCRETE END SECTIONS		Each	2	



NOTES:

- ALL WORK ON THIS SHEET IS TO BE PERFORMED IN ACCORDANCE WITH ARTICLES 540 AND 542 OF THE STANDARD SPECIFICATIONS.
- QUANTITIES OF CONCRETE STRUCTURES AND REINFORCEMENT BARS ARE TABULATED FOR INFORMATION PURPOSES ONLY. ALL WORK ASSOCIATED WITH THE "CAST-IN-PLACE REINFORCED CONCRETE END SECTIONS" INCLUDING, BUT NOT LIMITED TO, EXCAVATION, CONCRETE, REINFORCEMENT BARS, FORM WORK, ETC. WILL BE PAID FOR AT THE UNIT PRICE EACH BID FOR "CAST-IN-PLACE CONCRETE END SECTIONS". NO ADDITIONAL MEASUREMENTS OR PAYMENTS WILL BE MADE.
- THE DIMENSIONS SHOWN FOR THE CAST IN PLACE END SECTIONS ARE BASED ON ASSUMED DIMENSIONS OF THE PRECAST BOX CULVERT AS DENOTED BY THE *. THE CONTRACTOR MAY BE REQUIRED TO MAKE MINOR CHANGES IN THE END SECTION DIMENSIONS IF THE ACTUAL BOX CULVERT DIMENSIONS DIFFER GREATLY FROM THOSE SHOWN IN THE PLANS. THE COST OF THE MINOR CHANGES, BOTH IN MATERIAL QUANTITIES AND LABOR, WILL NOT BE PAID FOR SEPARATELY BUT IS INCLUDED IN THE UNIT PRICE EACH BID FOR "CAST-IN-PLACE REINFORCED CONCRETE END SECTIONS".
- 3" VOID BETWEEN INDIVIDUAL PRECAST BOX CULVERTS IS TO BE FILLED WITH CLASS SI CONCRETE IN ACCORDANCE WITH ARTICLE 540.06 OF THE STANDARD SPECIFICATIONS. NO ADDITIONAL PAYMENT WILL BE MADE FOR THE CLASS SI CONCRETE. THE COST OF THE CLASS SI CONCRETE IS INCLUDED WITH THE UNIT PRICE BID FOR "PRECAST CONCRETE BOX CULVERT 4' x 2'".
- CONTRACTOR SHALL DETERMINE WHETHER CULVERT CAN BE INSTALLED IN TWO (2) OR THREE (3) PHASES AND ORDER LENGTHS AS REQUIRED. JOINTS TO BE SEALED IN ACCORDANCE WITH ARTICLE 540.06 OF THE STANDARD SPECIFICATIONS.

REVISIONS		ILLINOIS DEPARTMENT OF TRANSPORTATION	
NAME	DATE		
		DRAINAGE & UTILITIES	
		QUAD BOX CULVERT DETAILS	
		STA 132+38	
		US ROUTE 20 (LAKE STREET)	
		SCALE: NONE	DRAWN BY: ALS
		DATE: 03/01/05	CHECKED BY: KSM

J:\Ill_dad\171484_dad\171484.dwg 148404807-1b.dwg