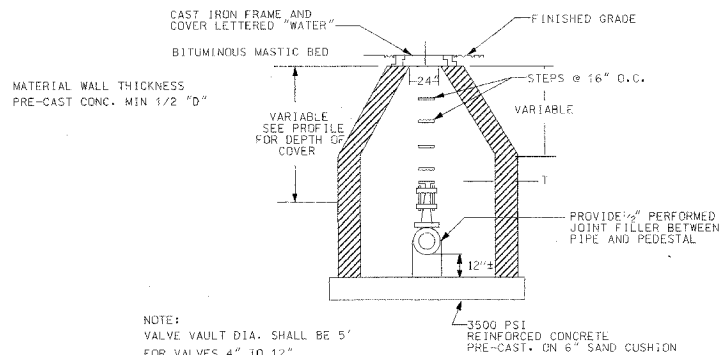


NOTE:
TRENCH WIDTH SHALL BE AS SPECIFIED IN THE STANDARD SPECIFICATIONS FOR WATER AND SEWER MAIN CONSTRUCTION IN ILLINOIS.

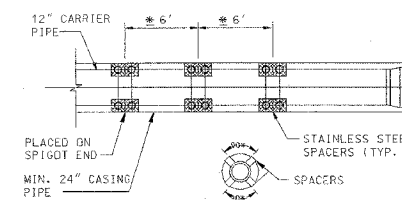
TRENCH DETAILS



NOTE:
VALVE VAULT DIA. SHALL BE 5' FOR VALVES 4" TO 12"

VALVE VAULT DETAIL

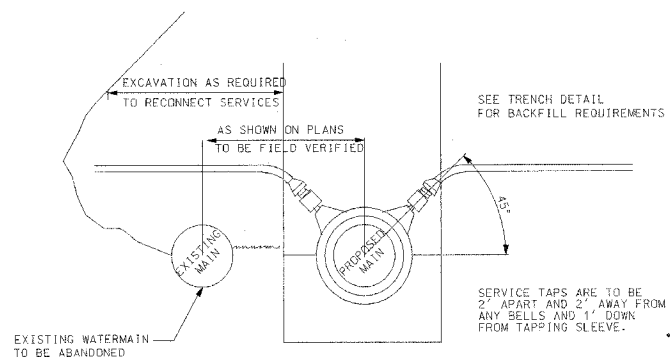
N.T.S.



NOTES:
1. SPACERS TO BE SIZED TO ALLOW CARRIER PIPE TO BE CENTERED IN CASING. LOCATE SPACERS 2" FROM END OF CASING. MINIMUM 2 SPACERS PER PIPE.
2. CASING TO BE SEALED AT BOTH ENDS WITH CASCADE WATERWORKS MANUFACTURING CO. RUBBER END SEALS SECURED IN PLACE WITH STAINLESS STEEL BANDS.

CASING SPACER

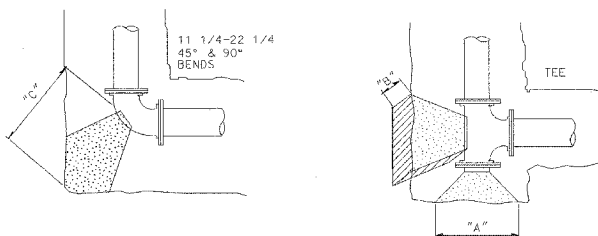
NOT TO SCALE



NOTE: 45° CORPORATION STOP NOT REQUIRED IF 10' RADIUS PLACED IN SERVICE

TYPICAL SECTION-WATERMAIN REPLACEMENT

N.T.S.

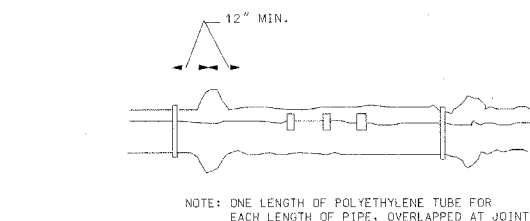


NOTES:
1. ALL BENDS, TEES, PLUGS, FITTINGS OR OTHER SIGNIFICANT CHANGES SHALL BE BRACED WITH MEGALUGS AND PRECAST CONCRETE THRUST BLOCKS AS SHOWN ON THIS DETAIL.
2. DIMENSIONS A, B, C APPLY TO ALL BEND CONDITIONS SHOWN.
3. ALL B & C DIMENSIONS TO BE AS REQUIRED TO REACH UNDISTRICTED EARTH BUT NOT LESS THAN LISTED ON THRUST BLOCK TABLE.
4. INSTALL PLUGS AT ALL RUNS OR BRANCHES DISCONTINUED FOR FUTURE SERVICE.

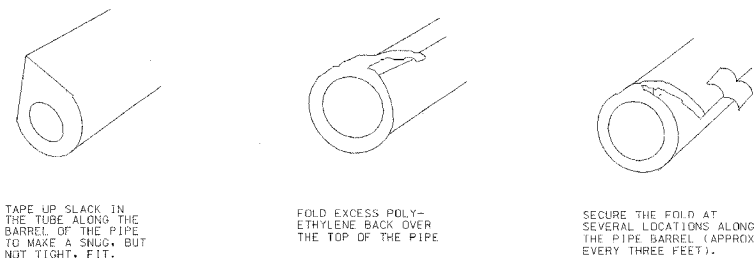
SIZE	90° BEND			45° BEND			22 1/2° BEND			11-1/4° BEND			TEE OR PLUG		
	A	B	C	A	B	C	A	B	C	A	B	C	A	B	C
6"	2'-3"	1'-2"	8"	1'-3"	1'-2"	8"	0'-8"	1'-2"	8"	0'-6"	1'-2"	7"	1'-3"	1'-2"	8"
8"	3'-7"	1'-4"	8"	2'-3"	1'-3"	9"	1'-3"	1'-4"	9"	0'-7"	1'-4"	8"	3'-3"	1'-3"	8"
10"	5'-0"	1'-6"	10"	2'-8"	1'-6"	10"	1'-5"	1'-6"	10"	0'-8"	1'-6"	8"	3'-6"	1'-6"	10"
12"	5'-10"	1'-10"	1'-0"	3'-2"	1'-10"	11"	1'-10"	1'-8"	11"	0'-8"	1'-8"	8"	4'-2"	1'-0"	1'-10"

THRUST BLOCK DETAIL

N.T.S.



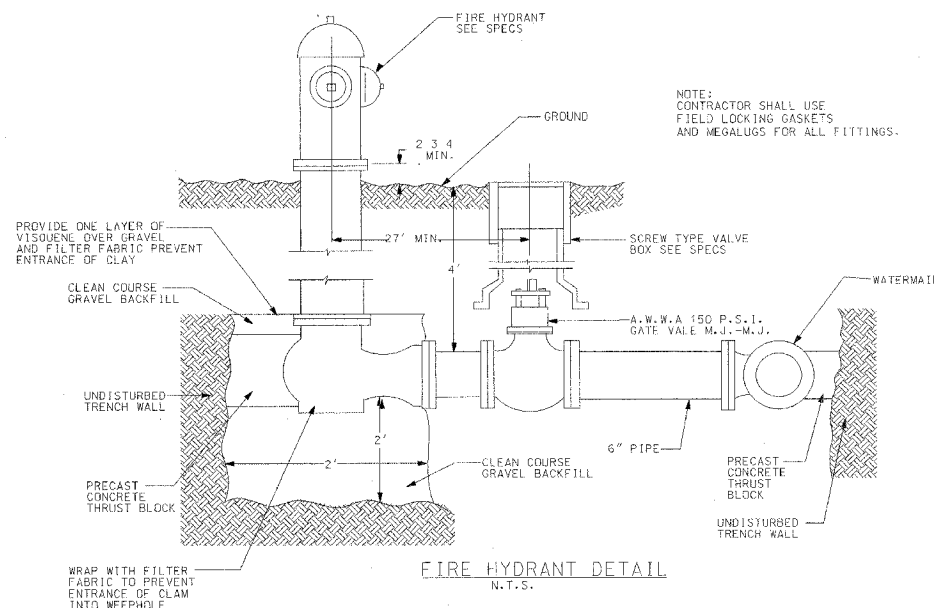
NOTE: ONE LENGTH OF POLYETHYLENE TUBE FOR EACH LENGTH OF PIPE, OVERLAPPED AT JOINT.



NOTE: REPAIR ALL SMALL RIPS, TEARS OR OTHER TUBE DAMAGE WITH ADHESIVE TAPE.

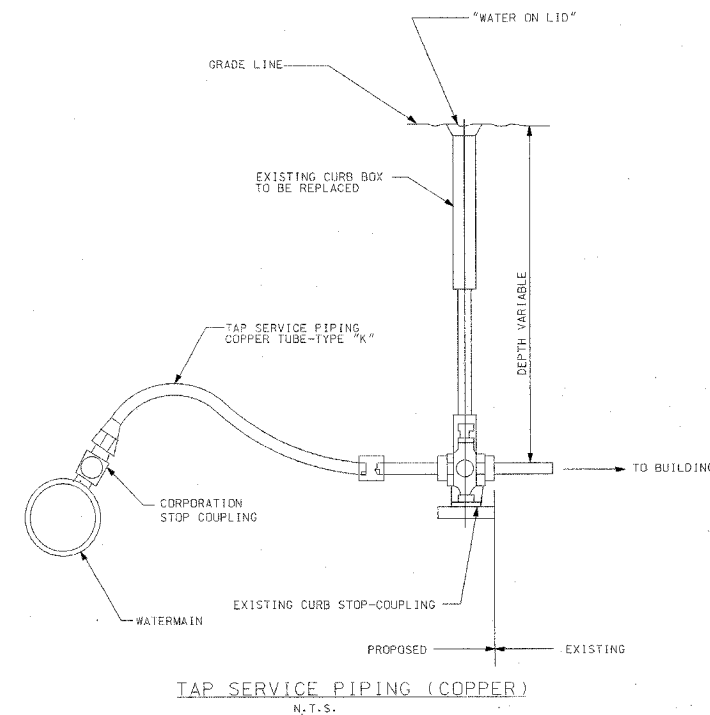
POLYETHYLENE ENCASUREMENT

N.T.S.



FIRE HYDRANT DETAIL

N.T.S.



TAP SERVICE PIPING (COPPER)

N.T.S.

REVISIONS	
NAME	DATE

ILLINOIS DEPARTMENT OF TRANSPORTATION
DETAILS AND NOTES
U.S. ROUTE 20 (LAKE STREET)
WATERMAIN REPLACEMENT

SCALE: NONE
DATE: 03/01/05
DRAWN BY: JRH
CHECKED BY: RFS

