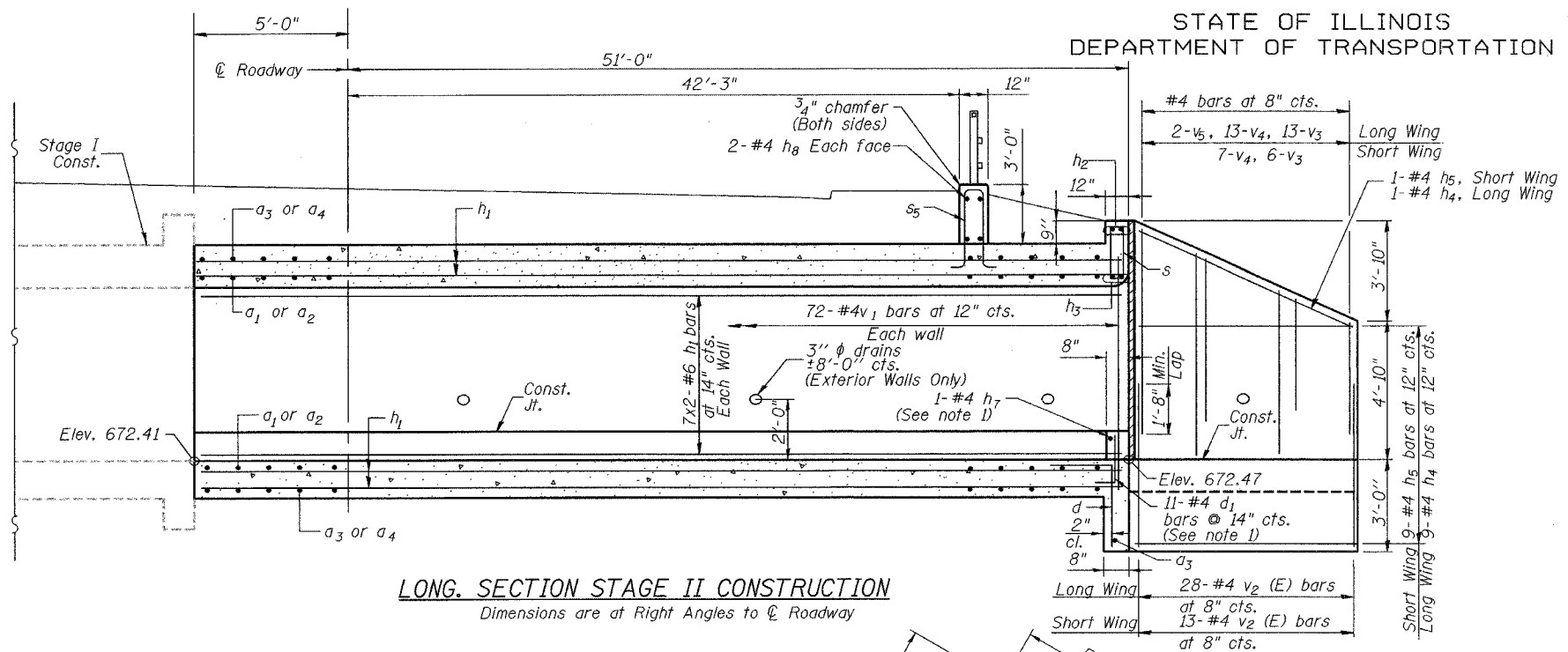
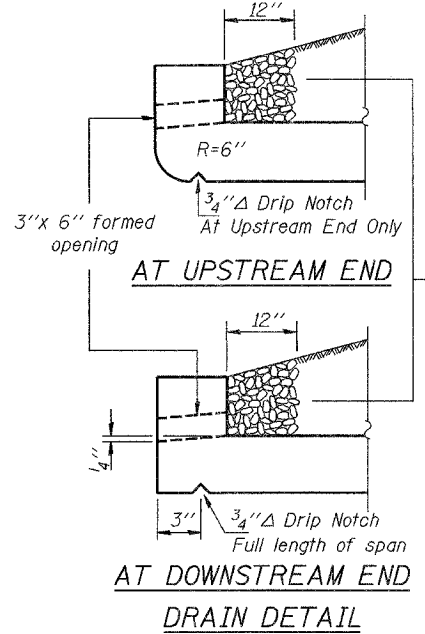


STATE OF ILLINOIS
DEPARTMENT OF TRANSPORTATION

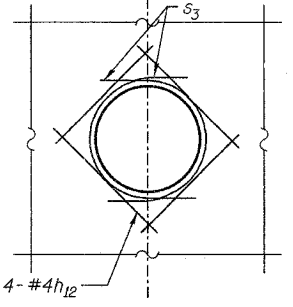
ROUTE NO.	SECTION	COUNTY	DATE	SHEET	SHEET NO. 5 10 SHEETS
F.A.U. Rt. 3537	5Y-R-4	DUPAGE	3/07	2/07	
FED. ROAD DIST. NO. 1		ILLINOIS		FED. AID PROJECT - CONTRACT No. 62295	



LONG. SECTION STAGE II CONSTRUCTION
Dimensions are at Right Angles to CL Roadway



CL 12" ϕ storm sewer,
STA. 201+89, 32.0' RT.
Inv. el. 676.70



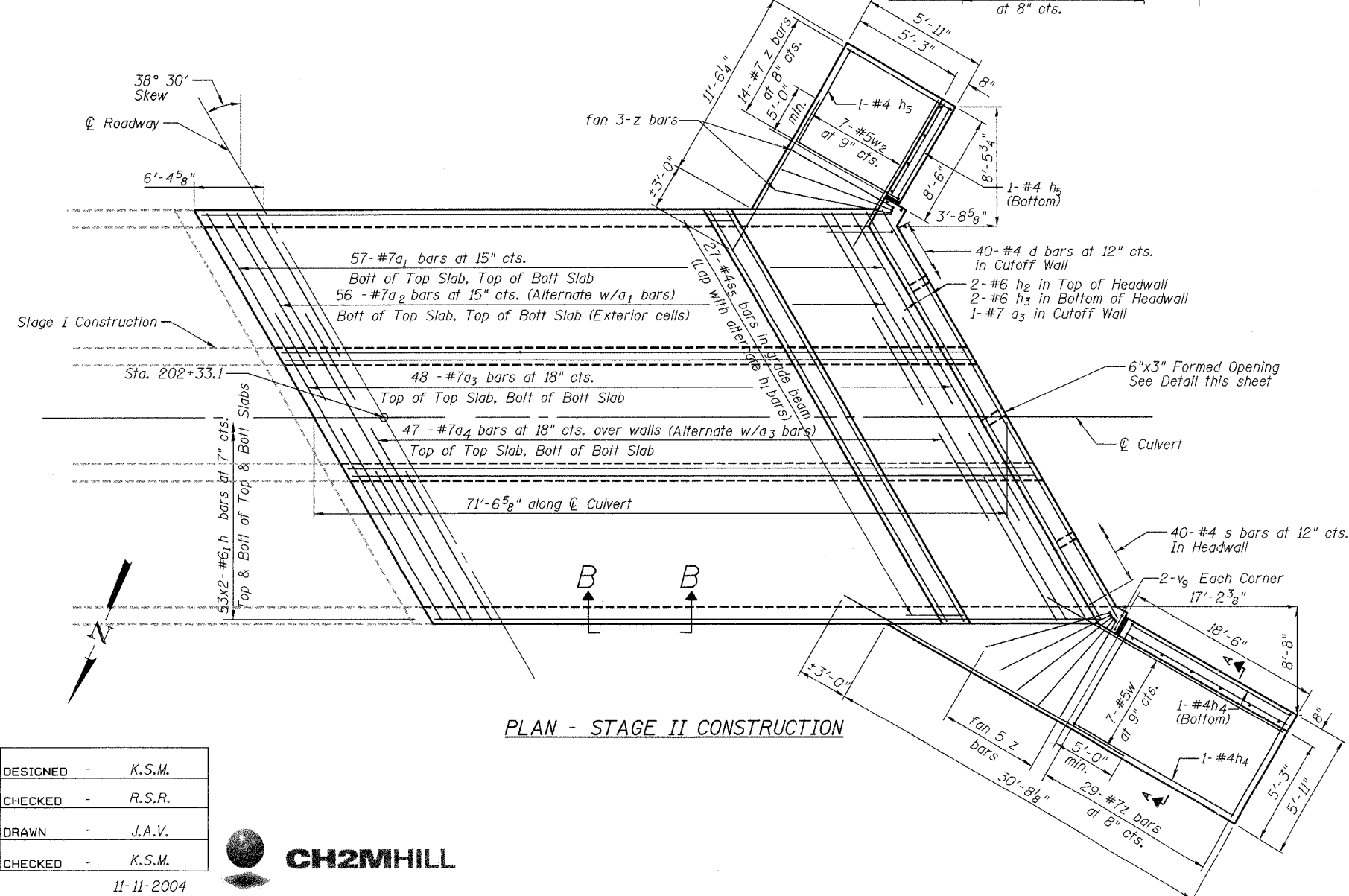
SECTION B-B

**STAGE II CONSTRUCTION
BILL OF MATERIAL**

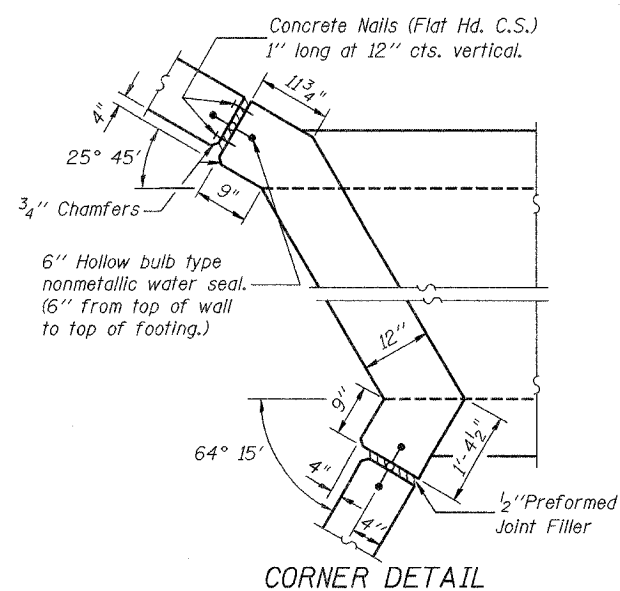
Bar	No.	Size	Length	Shape	
a ₁	114	#7	41'-3"	U	
a ₂	224	#7	16'-6"	U	
a ₃	97	#7	38'-11"	U	
a ₄	188	#7	6'-0"	U	
d	40	#4	4'-6"	L	
d ₁	22	#4	2'-3"	L	
h ₁	480	#6	36'-8"	U	
h ₂	2	#6	38'-3"	U	
h ₃	2	#6	38'-10"	U	
h ₄	12	#4	18'-3"	U	
h ₅	12	#4	8'-3"	U	
h ₇	2	#4	13'-7"	U	
h ₈	4	#4	38'-10"	U	
h ₁₂	4	#4	3'-8"	U	
s	40	#4	4'-9"	U	
s ₃	2	#4	5'-7"	U	
s ₅	27	#4	9'-6"	U	
v ₁	288	#4	9'-3"	U	
v ₂ (E)	41	#4	6'-3"	U	
v ₃	19	#4	4'-9"	U	
v ₄	20	#4	6'-6"	U	
v ₅	2	#4	6'-9"	U	
v ₉	4	#4	11'-4"	U	
w	7	#5	22'-9"	U	
w ₂	7	#5	12'-0"	U	
z	51	#7	8'-4"	U	
Concrete Box Culverts				Cu. Yd.	224.9
Reinforcement Bars, Epoxy Coated				Pound	170
Reinforcement Bars				Pound	57,750

NOTES:
1. Bars h₇ and d₁ are installed in weir wall in exterior cells only.
2. See sheet 4 for Bar Bend Details.

**STAGE II CONSTRUCTION
US ROUTE 20 (LAKE STREET)
OVER WESTWOOD CREEK
F.A.U. Rt. 3537 SEC 5Y-R-4
DUPAGE COUNTY
STATION 202+33.1
STRUCTURE NO. 022-0175**



PLAN - STAGE II CONSTRUCTION



CORNER DETAIL

DESIGNED	-	K.S.M.
CHECKED	-	R.S.R.
DRAWN	-	J.A.V.
CHECKED	-	K.S.M.



11-11-2004

11-11-2004 11:44:20 AM 201104649102-10.dwg