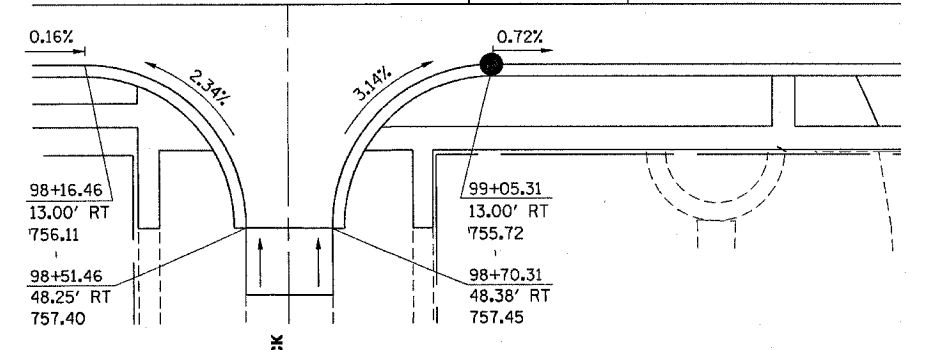
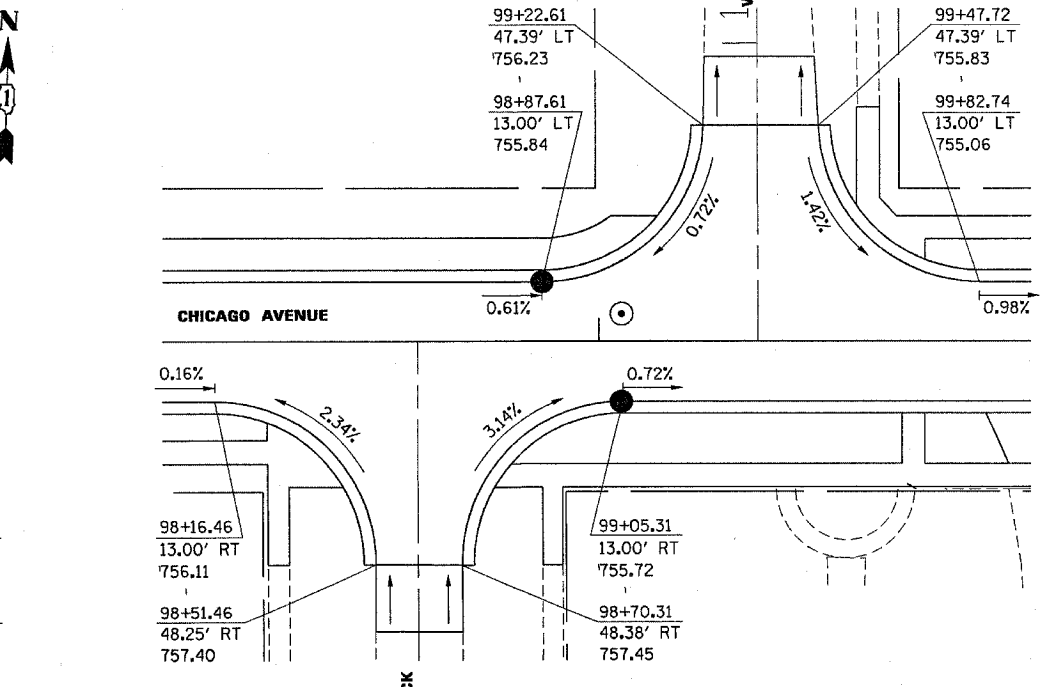
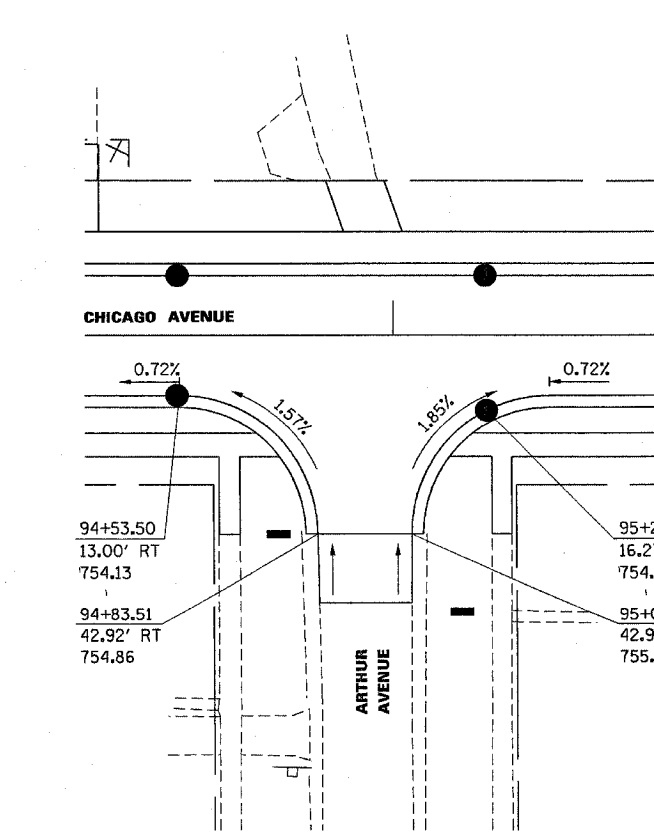
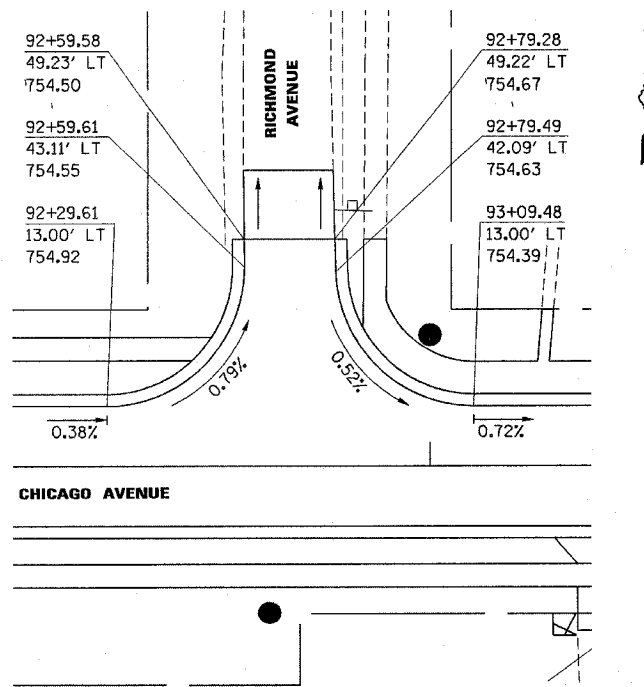
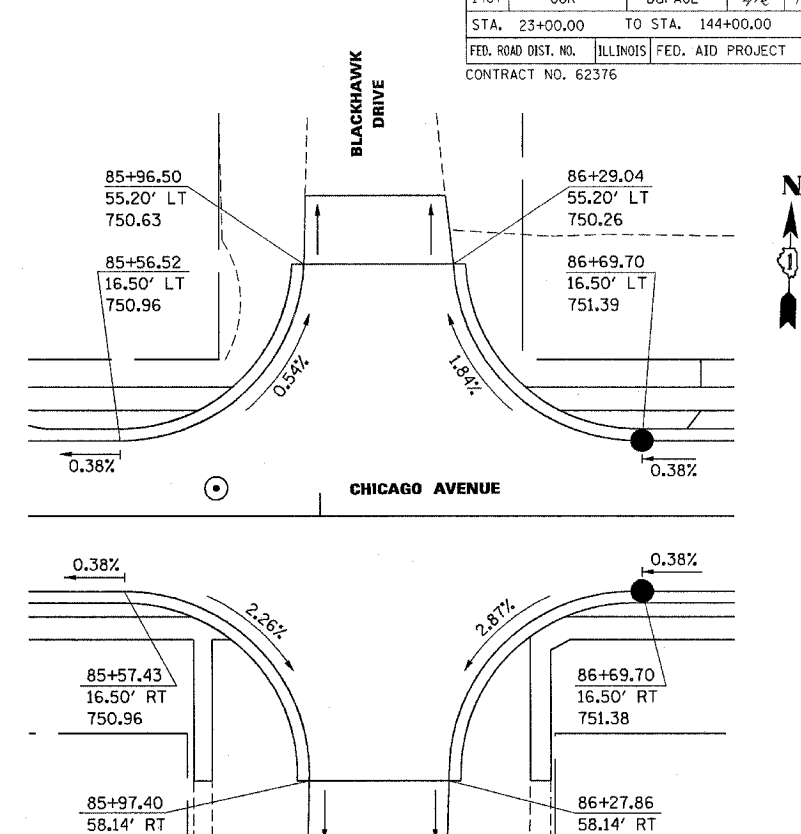
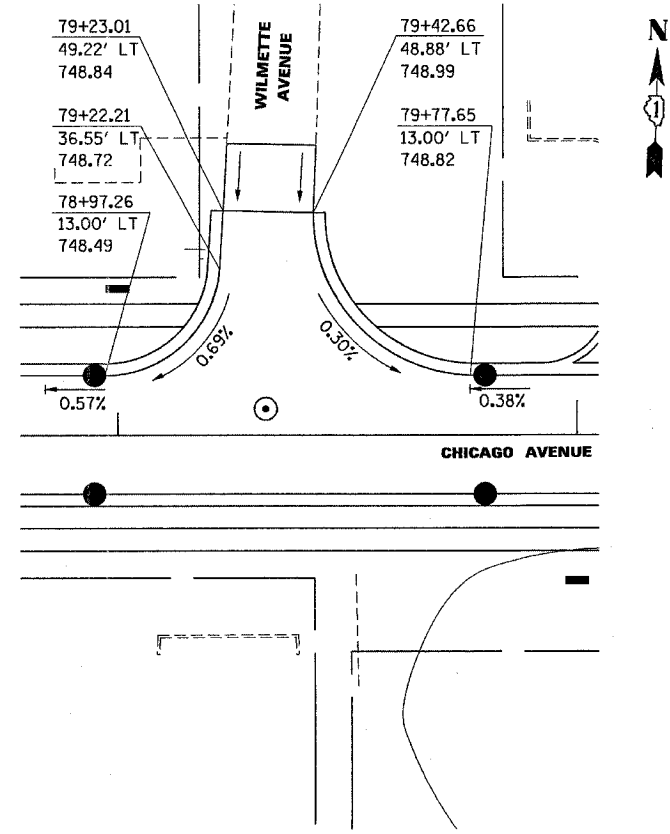
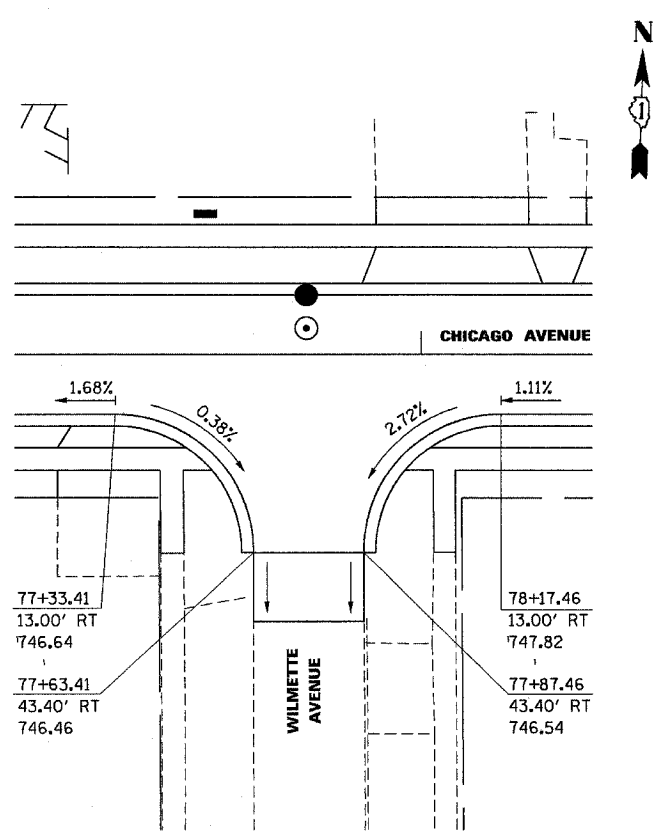
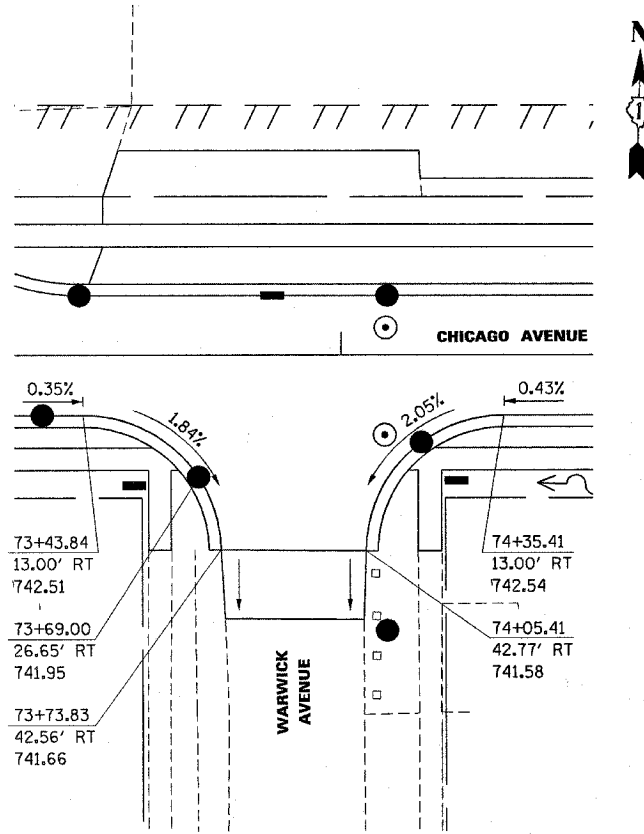
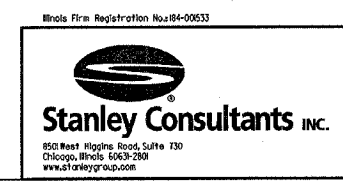
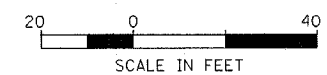


F.A.U. RTE.	SECTION	COUNTY	TOTAL SHEETS	SHEET NO.
1487	66R	DUPAGE	112	125
STA. 23+00.00		TO STA. 144+00.00		
FED. ROAD DIST. NO.		ILLINOIS FED. AID PROJECT		
CONTRACT NO. 62376				



NOTES:
 1. ALL ELEVATIONS AND CALLOUTS SHOWN ARE AT THE EDGE OF PAVEMENT.



REVISIONS	
NAME	DATE

ILLINOIS DEPARTMENT OF TRANSPORTATION
INTERSECTION DETAIL
SHEET 3 OF 4
 SCALE: 1"=20'
 DATE: 22-NOV-2004
 DRAWN BY: E.D.
 CHECKED BY: G.T.