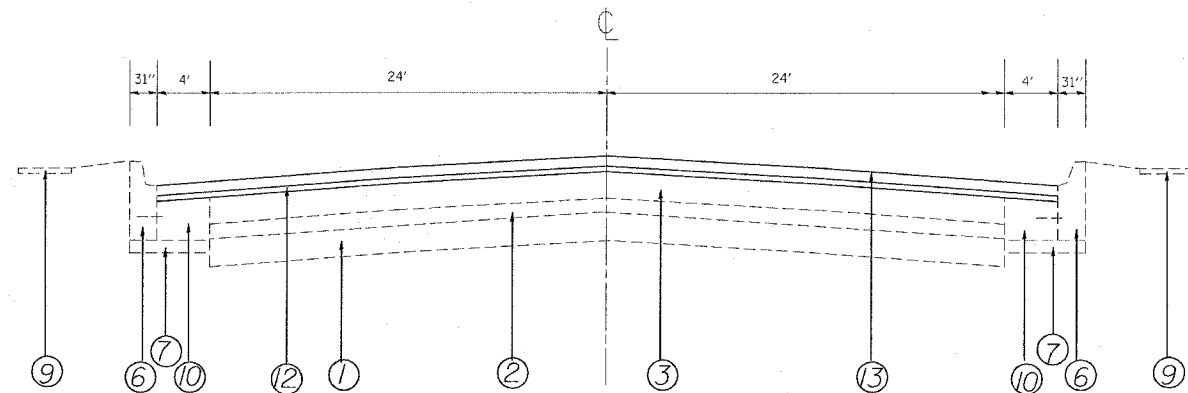


F.A.U. RTE.	SECTION	COUNTY	TOTAL SHEETS	SHEET NO.
3578	1314 RS-3	COOK	23	7
STA. _____		TO STA. _____		
FED. ROAD DIST. NO. 1 ILLINOIS FED. AID PROJECT				

CONTRACT 62673



NOTE: PCC SIDEWALK ENDS AT STA 92+95
PCC SIDEWALK BEGINS AT STA 96+09
PCC SIDEWALK ENDS AT STA 98+80
PCC SIDEWALK BEGINS AT STA 14+10
PCC SIDEWALK ENDS AT STA 15+35

PROPOSED TYPICAL CROSS-SECTION
SOUTHWEST HWY
STA 84+08 TO STA 126+17.5

NOTE: PCC SIDEWALK ENDS AT STA 84+25
PCC SIDEWALK BEGINS AT STA 105+46
PCC SIDEWALK ENDS AT STA 106+36
PCC SIDEWALK BEGINS AT STA 107+56
PCC SIDEWALK ENDS AT STA 11+08
PCC SIDEWALK BEGINS AT STA 125+38
PCC SIDEWALK ENDS AT STA 126+17.5

LEGEND

- ① EXISTING PCC PAVEMENT (9'-7")
- ② EXISTING BITUMINOUS RESURFACING +- 3"
- ③ EXISTING BITUMINOUS AGGREGATE MIXTURE (6" OVERLAY)
- ④ EXISTING BITUMINOUS CONCRETE BINDER COURSE (1 1/2")
- ⑤ EXISTING BITUMINOUS CONCRETE SURFACE COURSE CLASS 1 (1 1/2")
- ⑥ EXISTING COMBINATION CURB AND GUTTER TYPE B-6.24
- ⑦ EXISTING SUB-BASE GRANULAR MATERIAL, TYPE A (6")
- ⑧ EXISTING CORRUGATED MEDIAN
- ⑨ EXISTING PCC SIDEWALK
- ⑩ EXISTING PCC BASE COURSE WIDENING (9')
- ⑪ PROPOSED BITUMINOUS SURFACE REMOVAL (2 1/2")
- ⑫ PROPOSED POLYMERIZED LEVELING BINDER (MACHINE METHOD) SUPERPAVE, IL-475, N50 (3/4")
- ⑬ PROPOSED POLYMERIZED BIT. CONCRETE SURFACE COURSE, SUPERPAVE, MIX "F", N90 (1 3/4")

REVISIONS	
NAME	DATE

ILLINOIS DEPARTMENT OF TRANSPORTATION

TYPICAL SECTIONS

SCALE: VERT. NTS
HORIZ.
DATE 3/28/2005

DRAWN BY
CHECKED BY