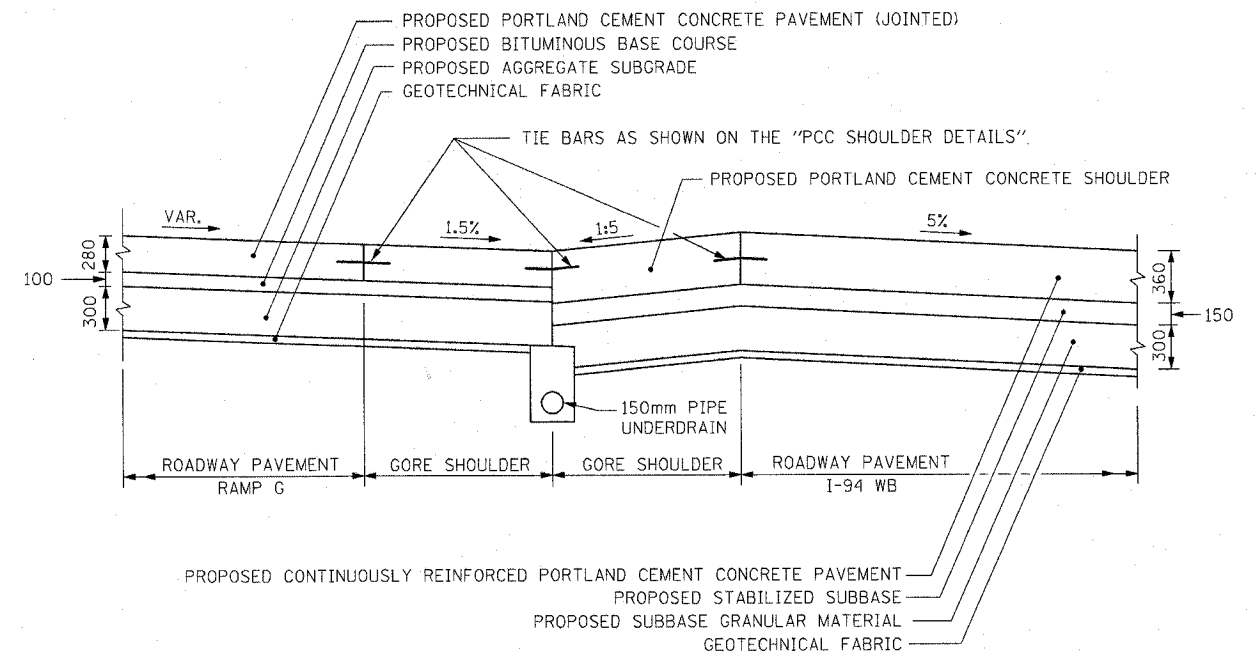
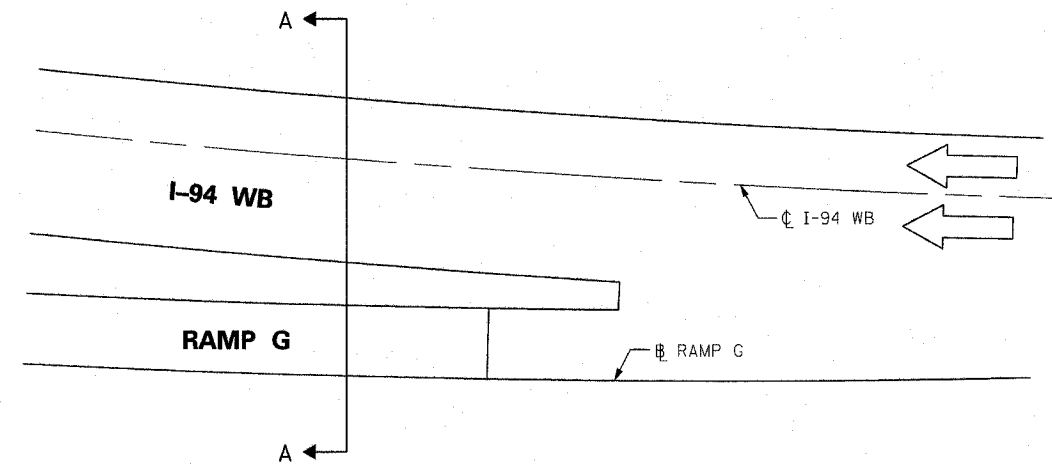


F.A.I. RTE.	SECTION	COUNTY	TOTAL SHEETS	SHEET NO.
80/94	0203.1B	COOK	200	49
STA.		TO STA.		
FED. ROAD DIST. NO. 1		ILLINOIS FED. AID PROJECT		
CONTRACT #62854				



SECTION A-A



PLAN

GORE BETWEEN CRC MAINLINE PAVEMENT AND JOINTED RAMP PAVEMENT

MD-1

REVISIONS	
NAME	DATE

ILLINOIS DEPARTMENT OF TRANSPORTATION
F.A.I. ROUTE 80/94 (INTERSTATE 80/294)

PAVEMENT & SUBGRADE TRANSITION
AND GORE DETAILS

DATE: March 23, 2005

DRAWN BY: JPW
CHECKED BY: PAC

McDonough Associates Inc.
Engineers / Architects