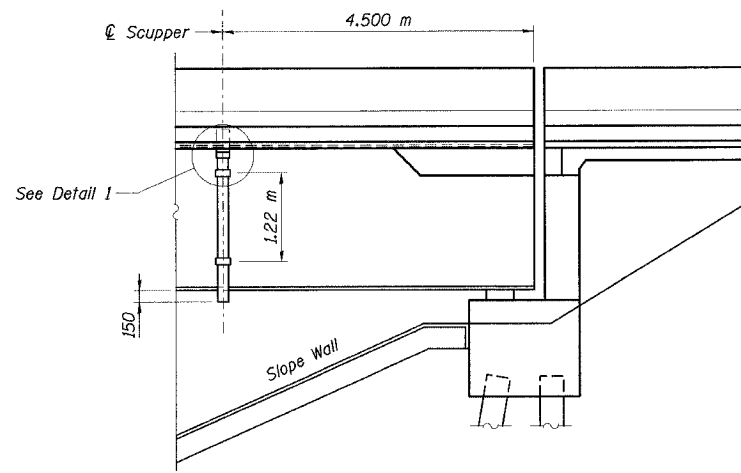
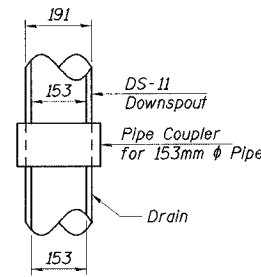


STATE OF ILLINOIS  
DEPARTMENT OF TRANSPORTATION

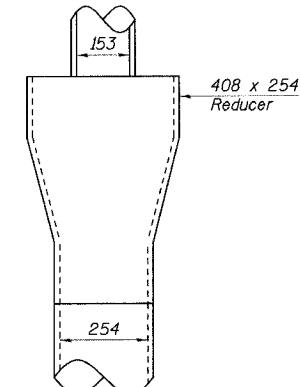
ROUTE NO.	SECTION	COUNTY	TOTAL SHEETS	SHEET NO.	SHEET NO. 40
F. A. I. 80/94	0203.1B	COOK	200	102	91 SHEETS
FED. ROAD DIST. NO. 1		ILLINOIS FED. AID PROJECT-		CONTRACT NO. 62854	



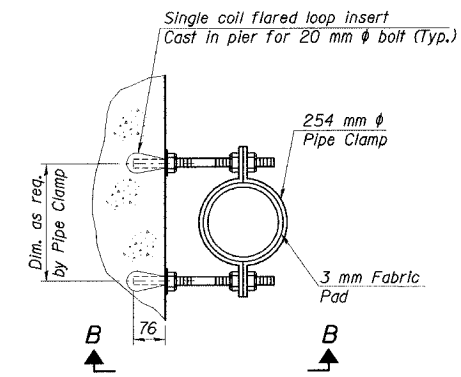
ABUTMENTS



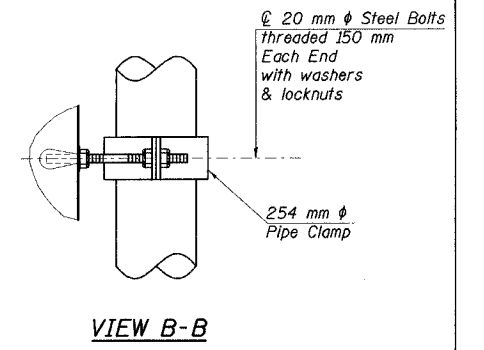
DETAIL 1



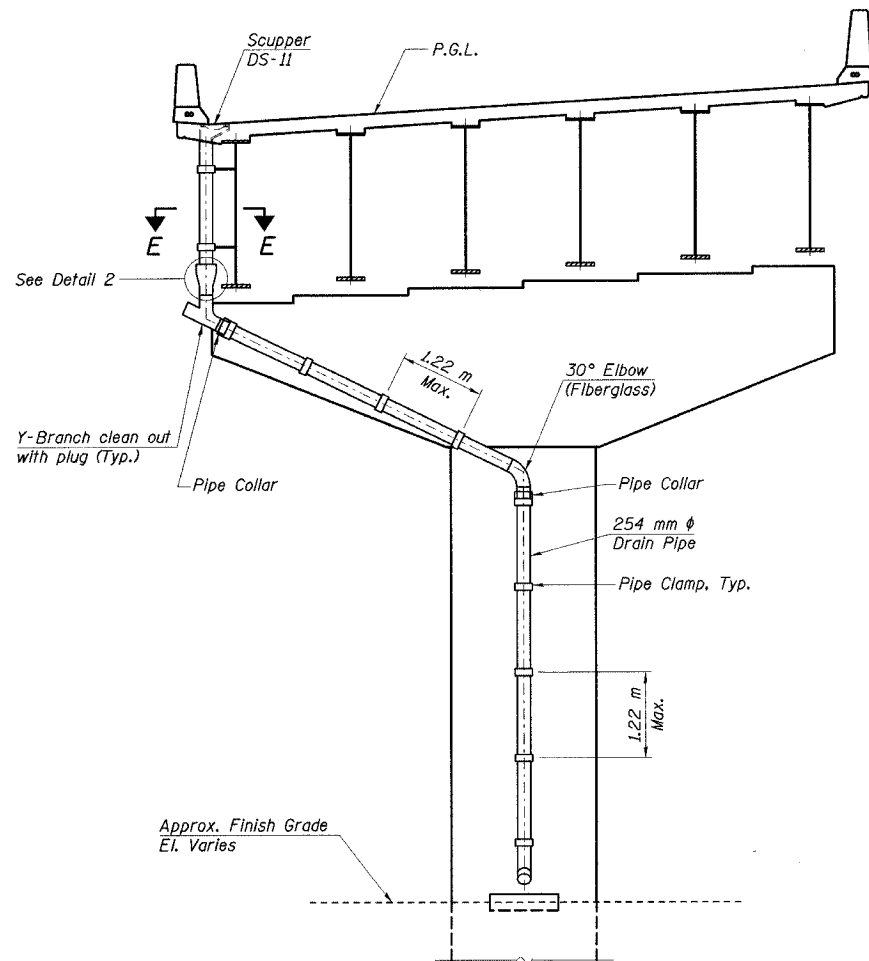
DETAIL 2



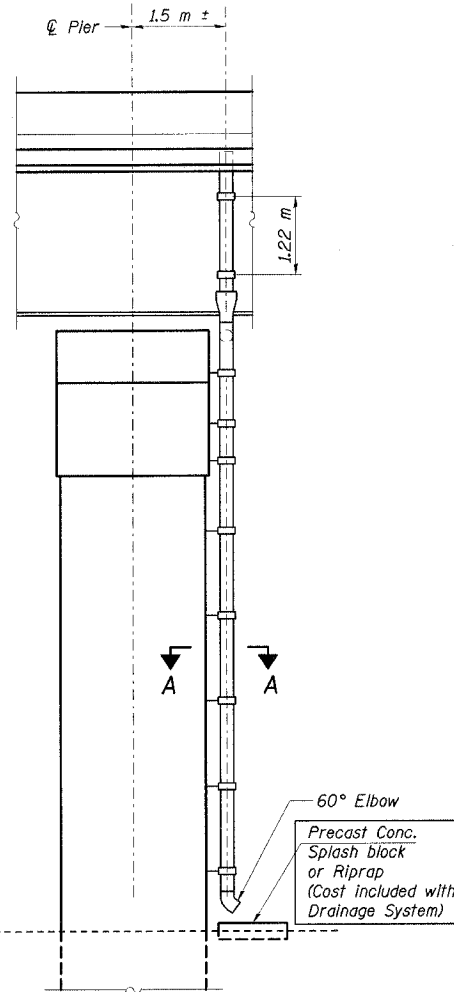
SECTION A-A



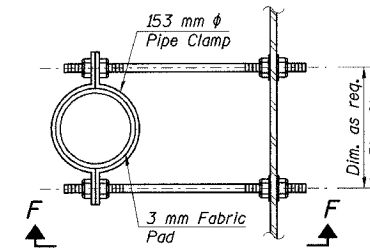
VIEW B-B



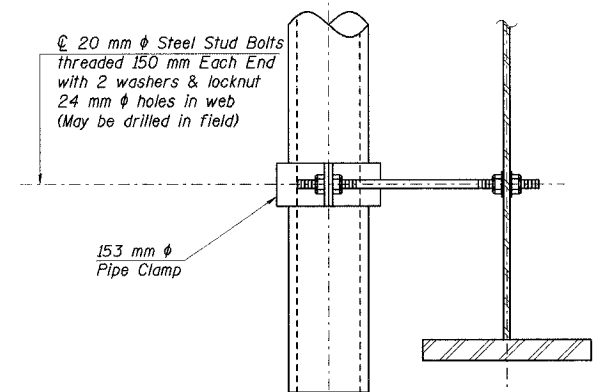
ELEVATION  
PIERS 2, 3 & 6



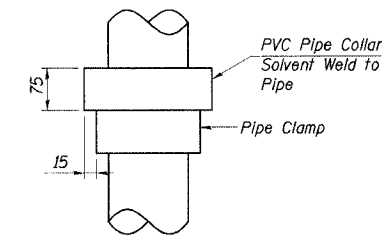
END VIEW



SECTION E-E



VIEW F-F



PIPE COLLAR DETAIL

DESIGNED	GPM
CHECKED	JJK
DRAWN	GPM
CHECKED	JJK

JBeauchamp  
 E:\34562\CADD\1\CTR\_28\_2804\Cds\ddl50031a\_2804.dgn  
 28-MAR-2005 12:33

Notes:  
1. All dimensions are in mm except as noted.

ILLINOIS DEPARTMENT OF TRANSPORTATION  
I-94/IL 394 SOUTH BOUND  
DRAINAGE DETAILS  
WB I-80/94 TO SB IL 394 - RAMP G  
FAI 80/94 - FAP 332 SECTION 0203.1B  
COOK COUNTY  
STA. 120+796.063 STRUCTURE NO. 016-2804  
DATE 3/23/05  
SCALE ---

**HNTB**