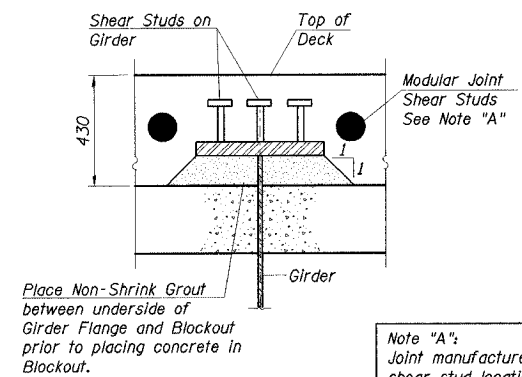
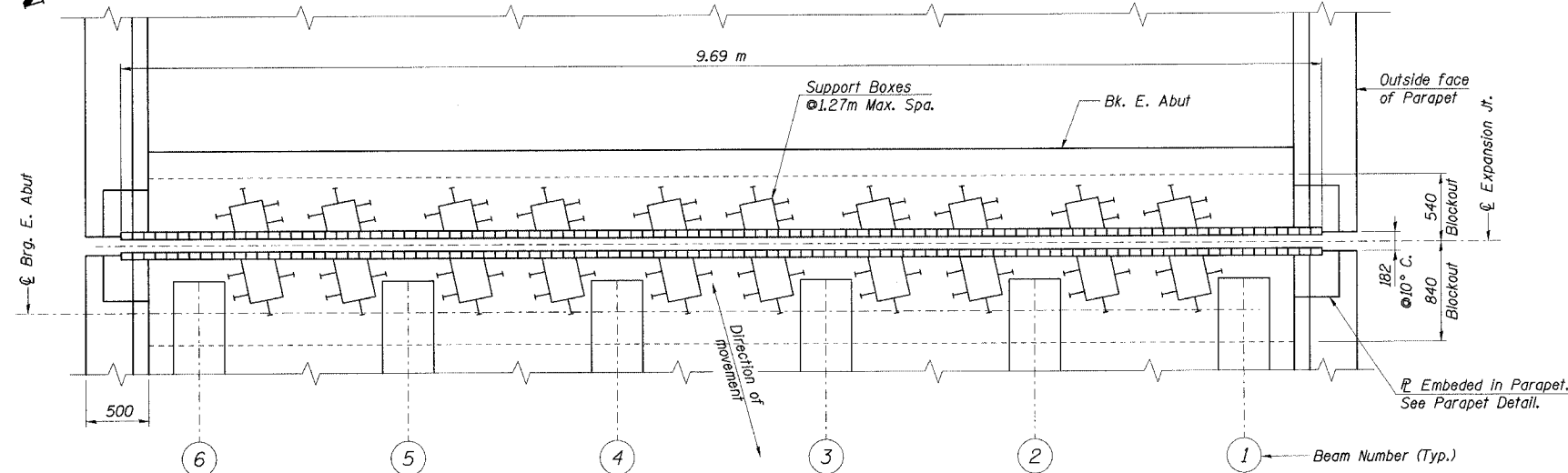


STATE OF ILLINOIS  
DEPARTMENT OF TRANSPORTATION

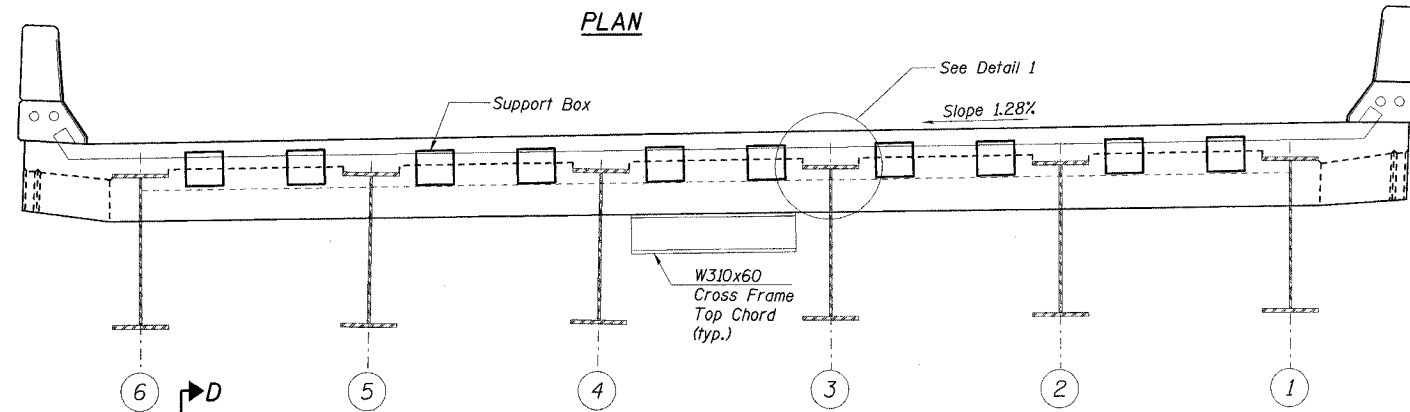
ROUTE NO.	SECTION	COUNTY	TOTAL SHEETS	SHEET NO.	SHEET NO. 42 91 SHEETS
F. A. I. 80/94	0203.1B	COOK	200	104	
FED. ROAD DIST. NO. 1	ILLINOIS	FED. AID PROJECT-	CONTRACT NO. 62854		



Note "A":  
Joint manufacturer shall design joint shear stud location to miss the girder's end shear studs.

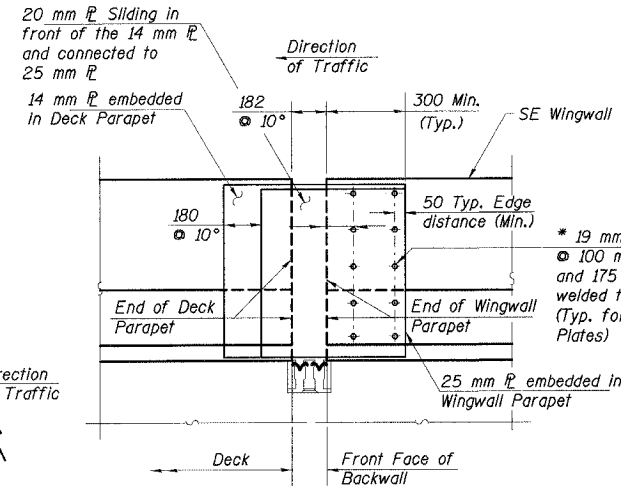
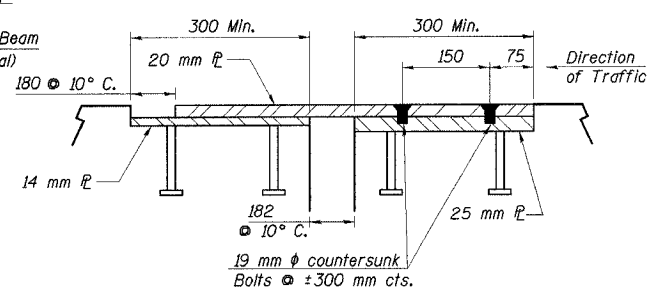
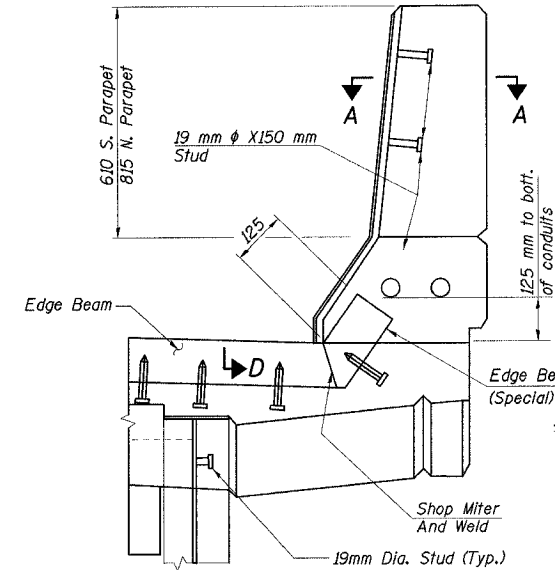
**DETAIL 1**

- Notes:
1. Modular Expansion Joint shall be designed in accordance with the latest AASHTO Specifications for MS-18 truck loading with impact.
  2. The expansion joint device shall be prefabricated modular assembly with multiple support bars and separator beams, providing a continuous seal across the deck.
  3. Joint shall be fabricated and installed according to the manufacturer's recommendations and as shown in Special Provisions for Modular Expansion Joints and as approved by the Engineer.
  4. Joint shall be fabricated to conform to the roadway profile and cross-slopes.
  5. All exposed structural steel elements such as separator and edge beams support bars and cover plate shall be fabricated with AASHTO M270M Grade 345 Steel unless specified otherwise by the manufacturer.
  6. Cost of furnishing all material and installing of the sliding plate assembly at the parapets shall be included with Modular Expansion Joints. Sliding Plate Assembly shall be galvanized.
  7. Modular Expansion Joints shall be shipped in one piece unless noted.
  8. No aluminum components shall be allowed.
  9. All splices of center beams and edge beams shall be full penetration welds (Uprun splices may be partial penetration welds).
  10. See Deck Plans for reinforcement bar details and block-out dimensions.
  11. All dimension are in millimeters (mm) except as noted.
  12. CTSK, bolts and Concrete inserts to be Hot-Dipped Galvanized according to AASHTO M232.
  13. The Cost of Furnishing the Barrier Plates, the CTSK, bolts, the Stud Anchors and the installation of these items are included with Modular Expansion Joint.
  14. Concrete anchor shall be according to Article 1006.32 of the Standard Specifications.
  15. All anchor studs shall be included with Modular Expansion Joint (unless noted otherwise).
  16. Joint openings shall be adjusted according to Article 503.10(c) of the Standard Specifications when the blockout is cast at an ambient temperature other than 10°C.



**CROSS SECTION**

Looking East at Abutment  
All dimensions are measured radially



**ELEVATION VIEW D-D**  
North Parapet shown (Looking North)  
South Parapet similar

\* Countersunk Bolts 20 mm  $\phi$  not shown for clarity.

**BILL OF MATERIAL**

Item	Unit	Total
Erecting Modular Expansion Joint 160mm	m	9.7

DESIGNED	GPM
CHECKED	DD
DRAWN	JRB/LK
CHECKED	GPM

**PARAPET DETAIL**

**SECTION A-A**

ILLINOIS DEPARTMENT OF TRANSPORTATION  
I-94/IL 394 SOUTH BOUND  
**MODULAR EXPANSION JOINT DETAILS**  
AT EAST ABUTMENT  
WB I-80/94 TO SB IL 394 - RAMP G  
FAI 80/94 - FAP 332 SECTION 0203.1B  
COOK COUNTY  
STA. 120+796.063 STRUCTURE NO. 016-2804  
DATE 3/23/05  
SCALE ---

**HNTB**

J:\Beauchamp  
E:\34562\CADD\1\CTR\_28-2804\cda\j150224a-2804.dgn  
28-MAR-2005 12:32