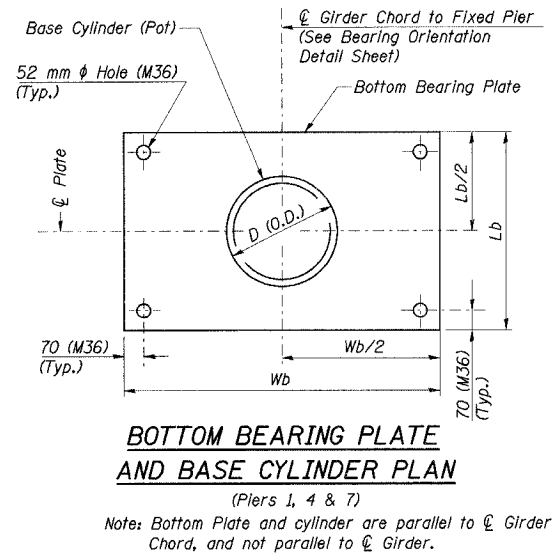
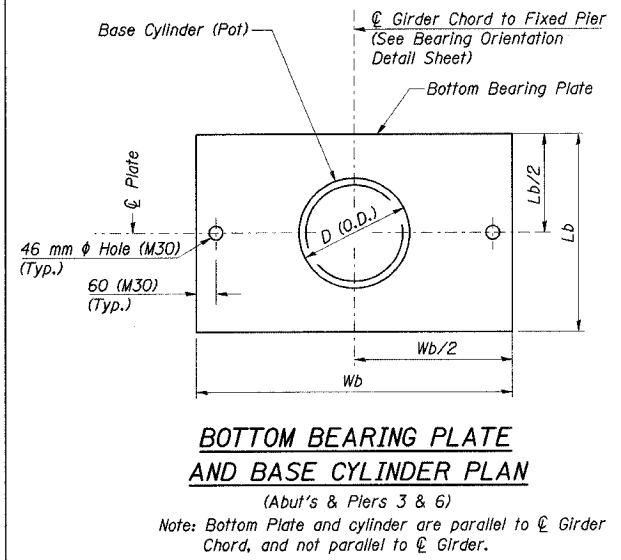
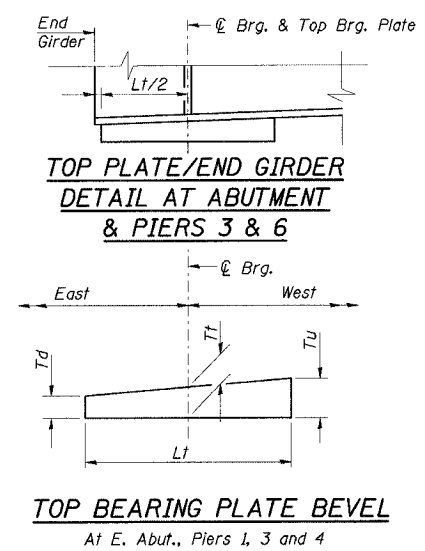
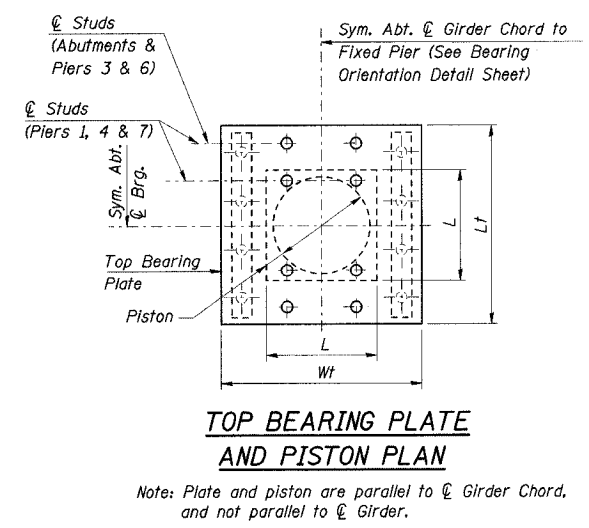
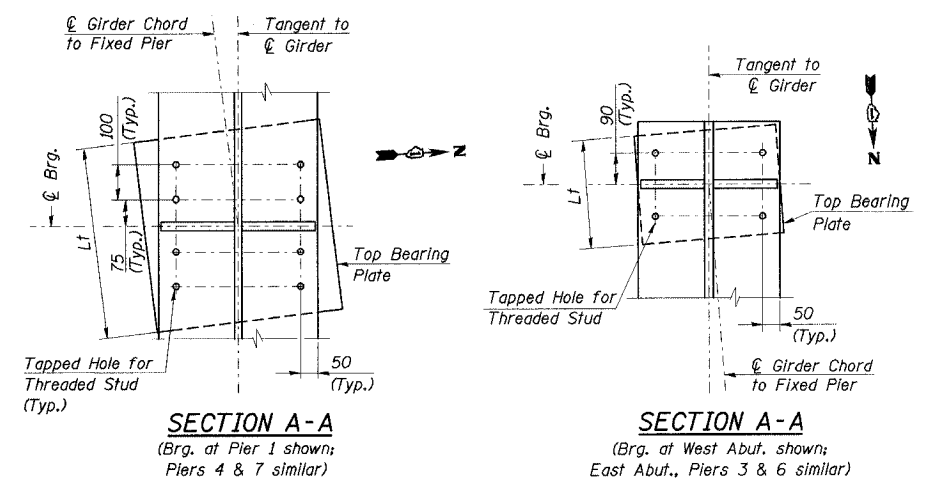
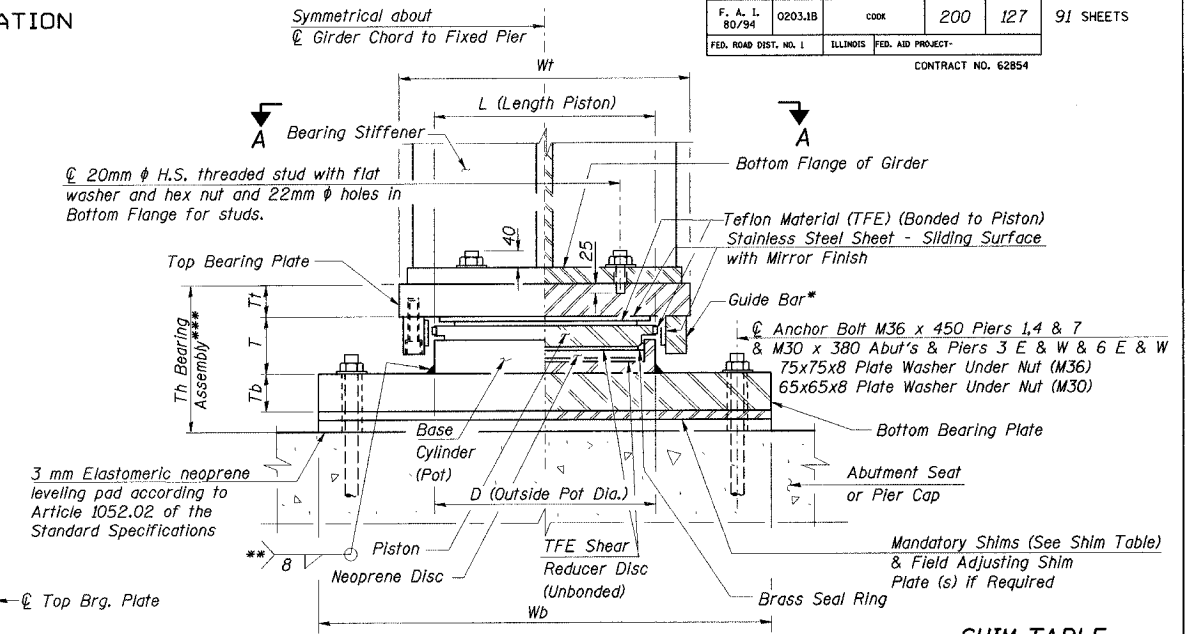


STATE OF ILLINOIS
DEPARTMENT OF TRANSPORTATION

ROUTE NO.	SECTION	COUNTY	TOTAL SHEETS	SHEET NO.	SHEET NO. 65 91 SHEETS
F. A. L. 80/94	0203.1B	COOK	200	127	
ILLINOIS FED. AID PROJECT -					
CONTRACT NO. 62854					

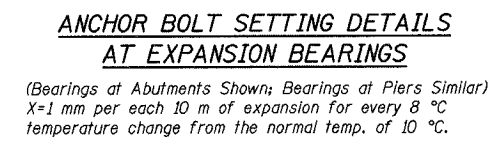


DESIGNED	JJK
CHECKED	GPM
DRAWN	LK
CHECKED	PCA



SHIM TABLE

Location	Shim
East Abut. G2	21
East Abut. G4	10
East Abut. G6	21
Pier 3 W G1-3	43
Pier 3 W G4-6	58
Pier 6 W G1-3	33
Pier 6W G4-6	53



BEARING ASSEMBLY DIMENSIONS

Member	Dimension	Location								
		E. Abut.	Pier 1	Pier 3 E	Pier 3 W	Pier 4	Pier 6 E	Pier 6 W	Pier 7	W. Abut.
Top Plate	Wf (G1-G3)	410	540	440	410	540	440	410	540	410
	Wf (G4-G6)	410	540	460	410	540	560	410	540	410
	Lt	380	550	450	450	550	430	430	550	310
	Td	40	55	40	40	60	45	40	70	40
	Tt	48	68	45	45	65	45	40	70	40
Bearing	Tu	55	80	50	50	70	45	40	70	40
	D	195	410	295	255	410	295	195	410	195
	L	195	410	295	255	410	295	195	410	195
Bottom Plate	T	90	140	110	100	140	110	90	140	90
	Wb (G1-G3)	625	800	650	625	800	650	625	800	625
	Wb (G4-G6)	625	800	675	625	800	775	625	800	625
Bearing Assembly	Lb	245	460	350	310	460	350	245	460	245
	Tb	55	60	50	50	60	60	55	60	50
Bearing Assembly	Th	223	298	235	225	295	245	215	300	210

BEARING DESIGN INFORMATION

Design Information	Location								
	E. Abut.	Pier 1	Pier 3 E	Pier 3 W	Pier 4	Pier 6 E	Pier 6 W	Pier 7	W. Abut.
Vertical Design Load (kN)	562	2028	1013	819	2134	1099	610	2173	511
Pay Item Size (kN)	750	2250	1250	1000	2250	1250	750	2250	750
Total Required Movement (mm)	126	76	67	134	76	69	131	76	49

Note:
Vertical Design Load = Total Vertical Dead Load + Live Load (No Impact)

BILL OF MATERIAL

ITEM	UNIT	QUANTITY
Erecting Floating Bearings, Guided Expansion, 750 kN	Each	18
Erecting Floating Bearings, Guided Expansion, 1000 kN	Each	6
Erecting Floating Bearings, Guided Expansion, 1250kN	Each	12
Erecting Floating Bearings, Guided Expansion, 2250 kN	Each	18

- Notes:
- All dimensions are in millimeters (mm) except as shown.
 - The structural steel for the top and bottom bearing plates shall be AASHTO M 270M Grade 345.
 - Cost of top and bottom bearing plates, 3mm Elastomeric Neoprene, shim plates and threaded studs with washer shall be included with Floating Bearings.
 - For anchor bolt type and details, see Anchor Bolt Details Sht. No. 69 of 91 Shts.

ILLINOIS DEPARTMENT OF TRANSPORTATION
1-94/IL 394 SOUTH BOUND

FLOATING EXPANSION BEARINGS

WB I-80/94 TO SB IL 394 - RAMP G
FAI 80/94 - FAP 332 SECTION 0203.1B
COOK COUNTY
STA. 120+796.063 STRUCTURE NO. 016-2804

DATE 3/23/05
SCALE ---

HNTB

J:\Beauchamp
E:\34562\CADD\1\CTR_28_2804\cads\br-150024e-2804.dgn
28-MAR-2005 12:29