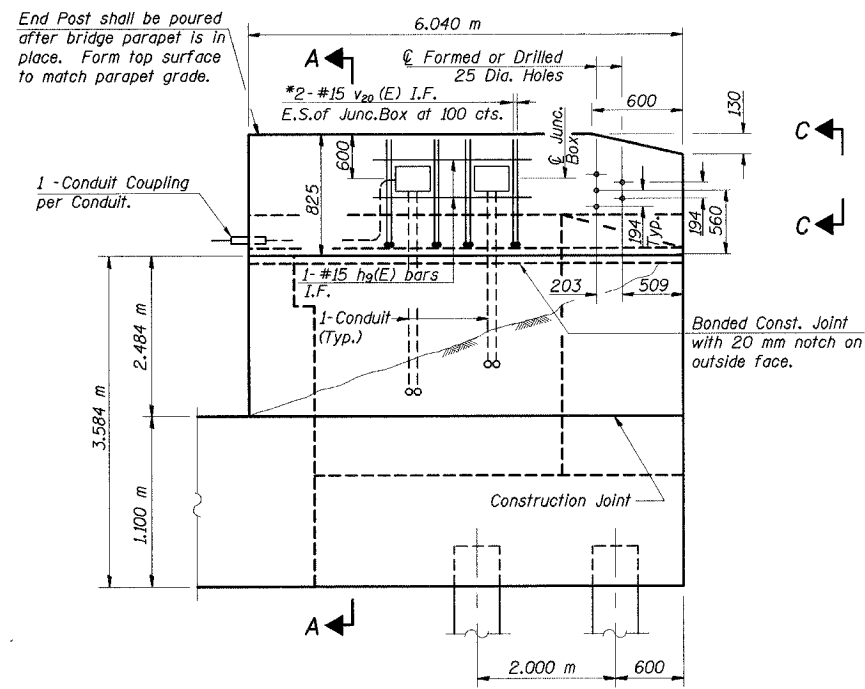
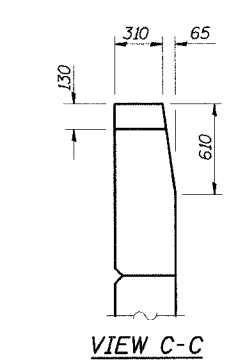


STATE OF ILLINOIS
DEPARTMENT OF TRANSPORTATION

ROUTE NO.	SECTION	COUNTY	TOTAL SHEETS	SHEET NO.	SHEET NO. 71
F. A. I. 80/94	0203.1B	COOK	200	133	91 SHEETS
FED. ROAD DIST. NO. 1 ILLINOIS FED. AID PROJECT- CONTRACT NO. 62854					

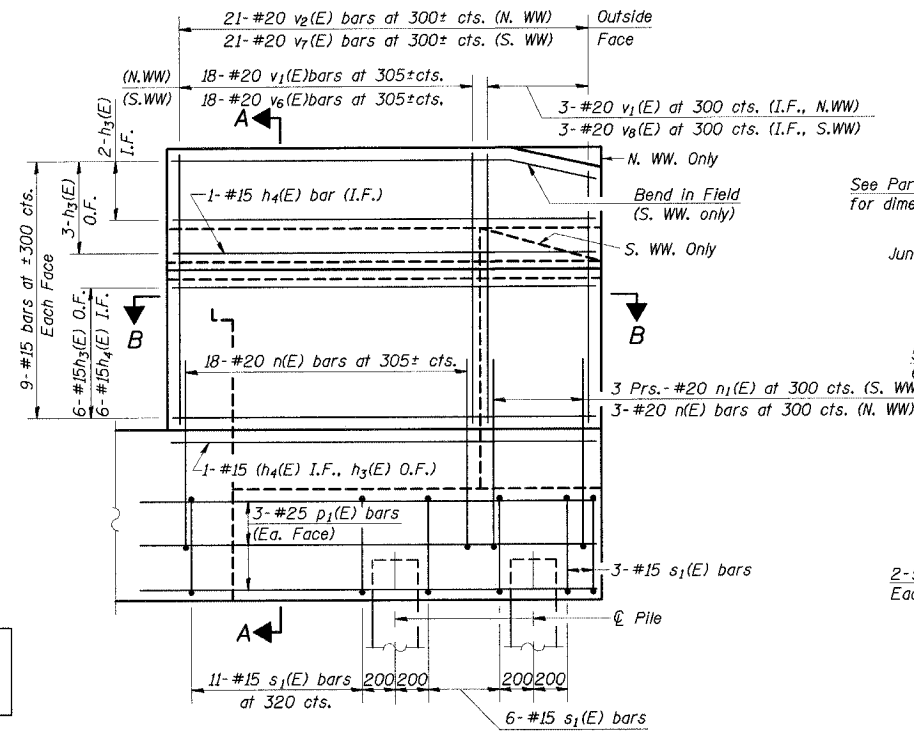


SOUTH WING WALL ELEVATION
Showing Dimensions

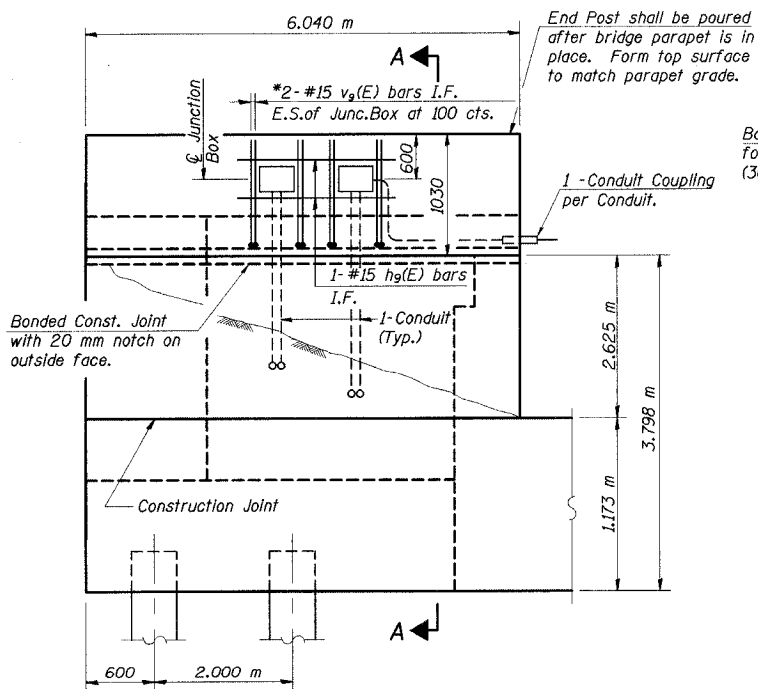
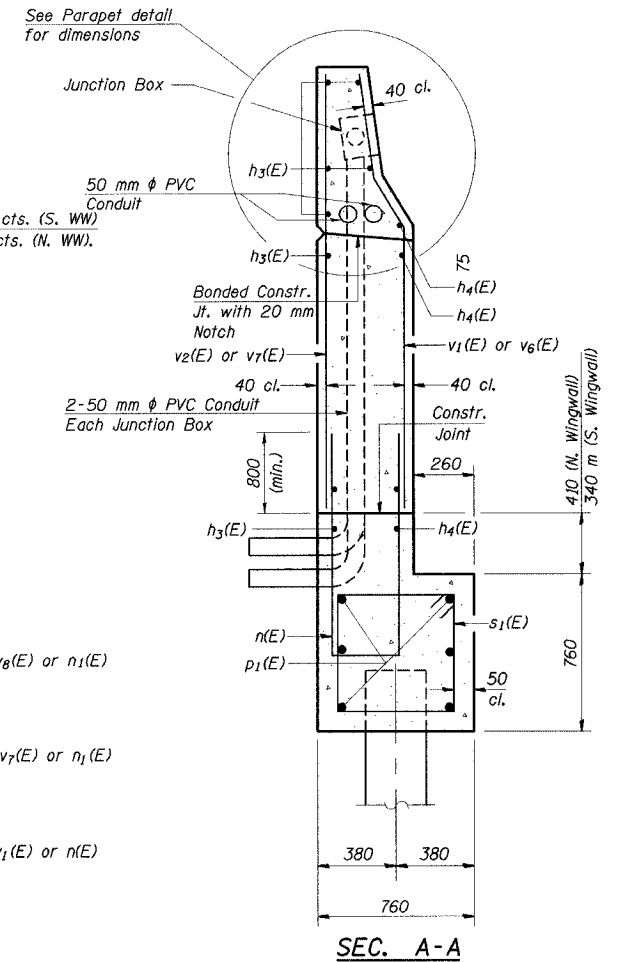


Abbreviations:
N.W.W.: North Wingwall
S.W.W.: South Wingwall
O.F.: Outside Face
I.F.: Inside Face
E.S.: Each Side

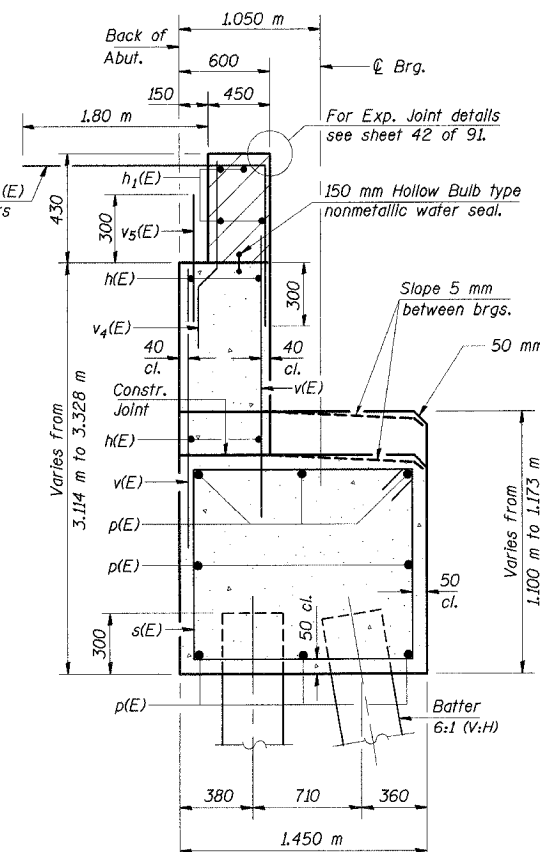
General Contractor to coordinate with the Electrical Contractor before embedding the conduits and junction boxes.



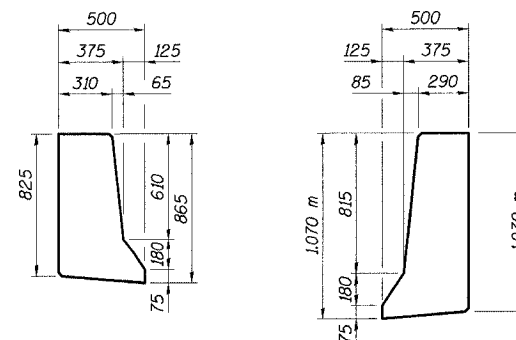
WING WALL ELEVATION
Showing Reinforcement



NORTH WING WALL ELEVATION
Showing Dimensions



SEC. THRU ABUT.



TYPE 1
(At S. Wingwall)
TYPE 2
(At N. Wingwall)
WINGWALL PARAPET DETAIL

- Notes:
1. Work this sheet with Sheet 70 of 91.
 2. Hatched area to be poured after superstructure forms have been removed. Quantity of concrete included with Concrete Superstructure.
 3. For details of Junction Box and method of payment, see Electrical Drawings.
 4. For method of payment of conduit, see Electrical Drawings.
 5. Space reinforcement in cap to clear anchor bolts.
 6. Pour steps monolithically with cap.
 7. See Sheet 73 of 91 for Pile Encasement Detail.

ILLINOIS DEPARTMENT OF TRANSPORTATION
I-94/IL 394 SOUTH BOUND
EAST ABUTMENT DETAILS
WB I-80/94 TO SB IL 394 - RAMP G
FAI 80/94 - FAP 332 SECTION 0203.1B
COOK COUNTY
STA. 120+796.063 STRUCTURE NO. 016-2804
DATE 3/23/05
SCALE ---

HNTB

JBeauchamp
E:\34562\CAD00\B1\CTR_28_2804\cda\vb150014a_2804.dgn
28-MAR-2005 12:28

DESIGNED	MEA
CHECKED	JJK
DRAWN	LK
CHECKED	JJK