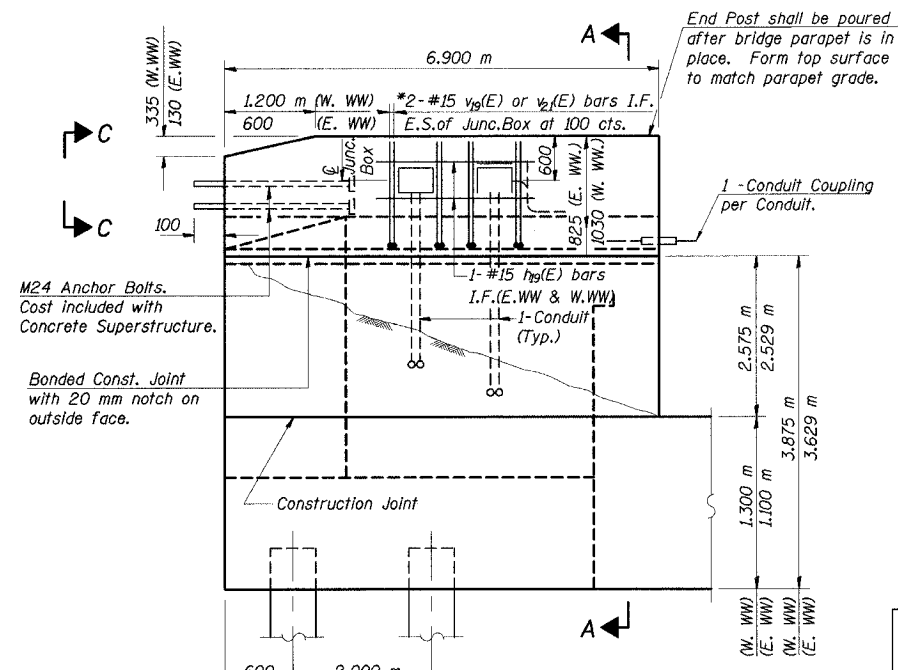


STATE OF ILLINOIS
DEPARTMENT OF TRANSPORTATION

ROUTE NO.	SECTION	COUNTY	TOTAL SHEETS	SHEET NO.	SHEET NO. 73 91 SHEETS
F. A. I. 80/94	0203.1B	COOK	200	135	
FED. ROAD DIST. NO. 1	ILLINOIS	FED. AID PROJECT-			
CONTRACT NO. 62854					

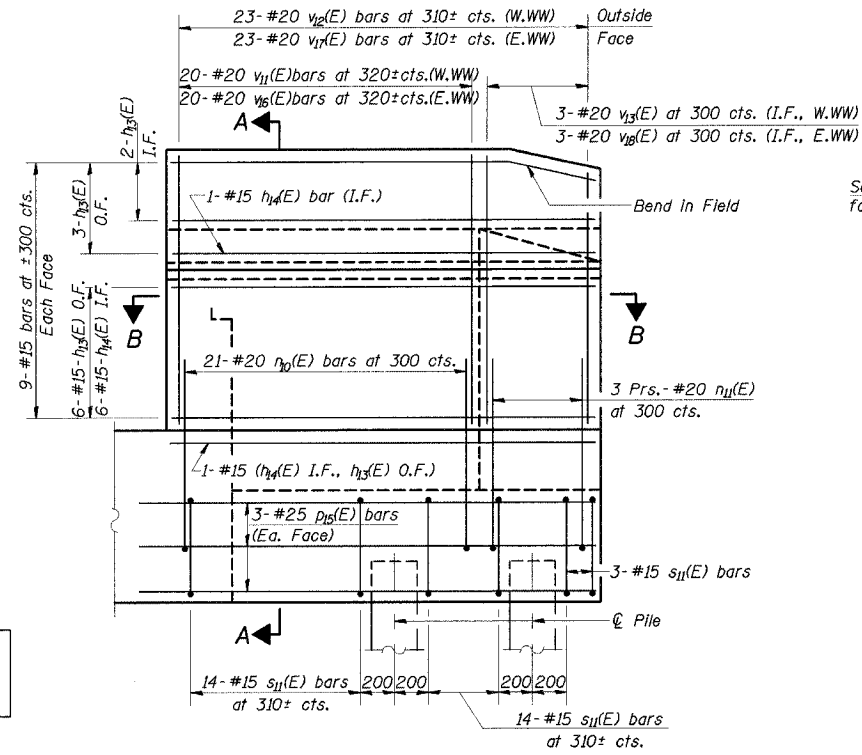


WING WALL ELEVATION

Showing Dimensions
* $v_9(E)$ for West Wingwall
 $v_2(E)$ for East Wingwall

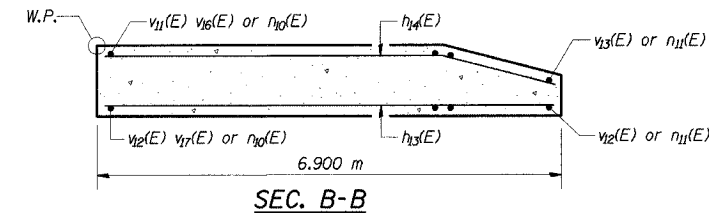
Abbreviations:
W.WW: West Wingwall
E.WW: East Wingwall
O.F.: Outside Face
I.F.: Inside Face
E.S.: Each Side

General Contractor to coordinate with the Electrical Contractor before embedding the conduits and junction boxes.

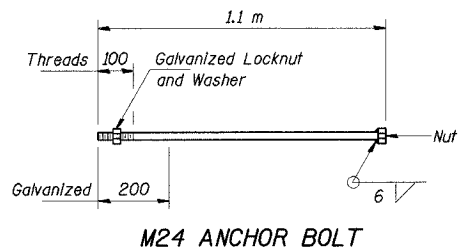
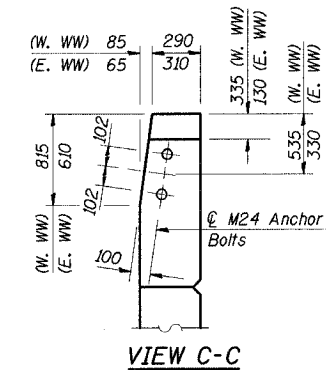


WING WALL ELEVATION

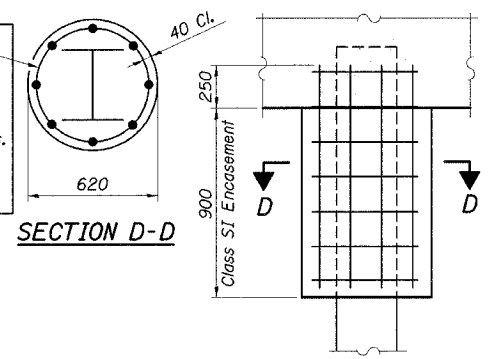
Showing Reinforcement



SEC. A-A

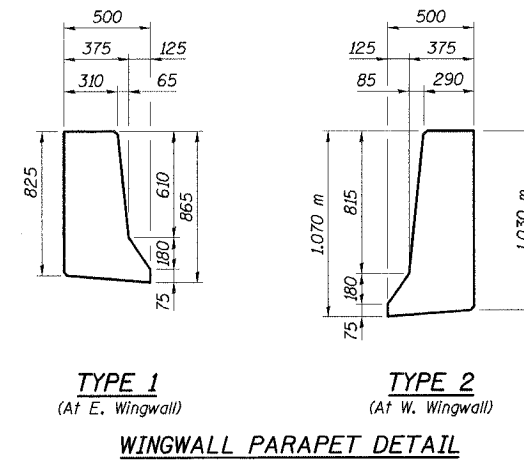
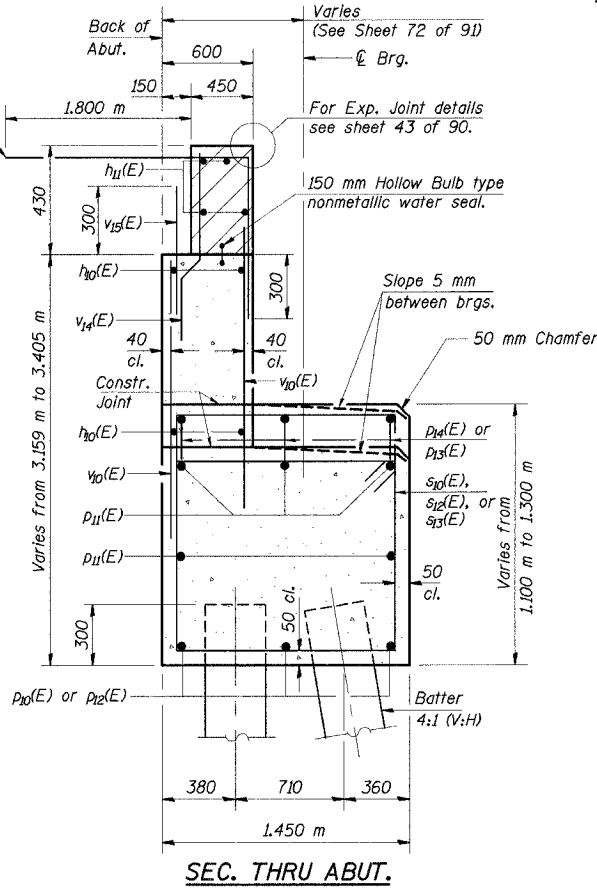


Welded wire fabric 152x152-MW25.8xMW25.8 with a mass of 2.91 kg/m². The cost of Excavation, Class SI Concrete Encasement and Reinforcement is included with Furnishing Piles. Forms for encasement may be omitted when soil conditions permit.



DESIGNED	MEA
CHECKED	JJK
DRAWN	LK
CHECKED	JJK

J:\Beauchamp
E:\34562\CADD\1\CTR_28-2804\cda\abi150024.e-2804.dgn
28-MAR-2005 12:28



- Notes:
1. Work this sheet with Sheet 72 of 91.
 2. Hatched area to be poured after superstructure forms have been removed. Quantity of concrete included with Concrete Superstructure.
 3. For details of Junction Box and method of payment, see Electrical Drawings.
 4. For method of payment of conduit, see Electrical Drawings.
 5. Space reinforcement in cap to clear anchor bolts.
 6. Pour steps monolithically with cap.

ILLINOIS DEPARTMENT OF TRANSPORTATION
I-94/IL 394 SOUTH BOUND
WEST ABUTMENT DETAILS
WB I-80/94 TO SB IL 394 - RAMP G
FAI 80/94 - FAP 332 SECTION 0203.1B
COOK COUNTY
STA. 120+796.063 STRUCTURE NO. 016-2804
DATE 3/23/05
SCALE ---

HNTB