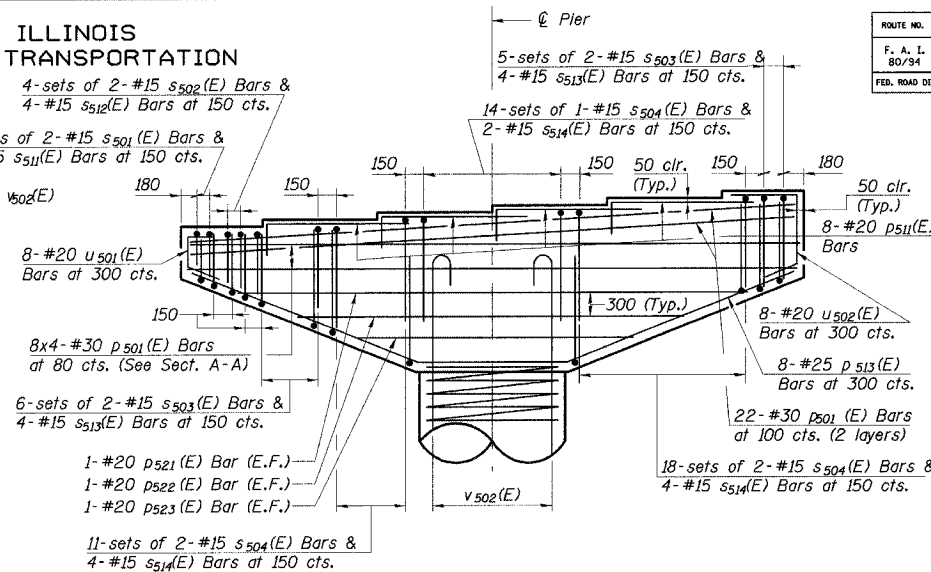
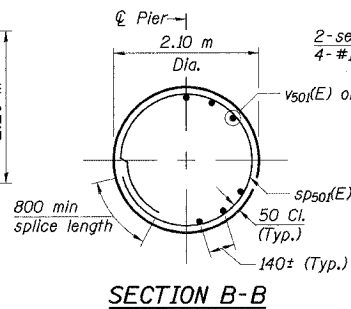
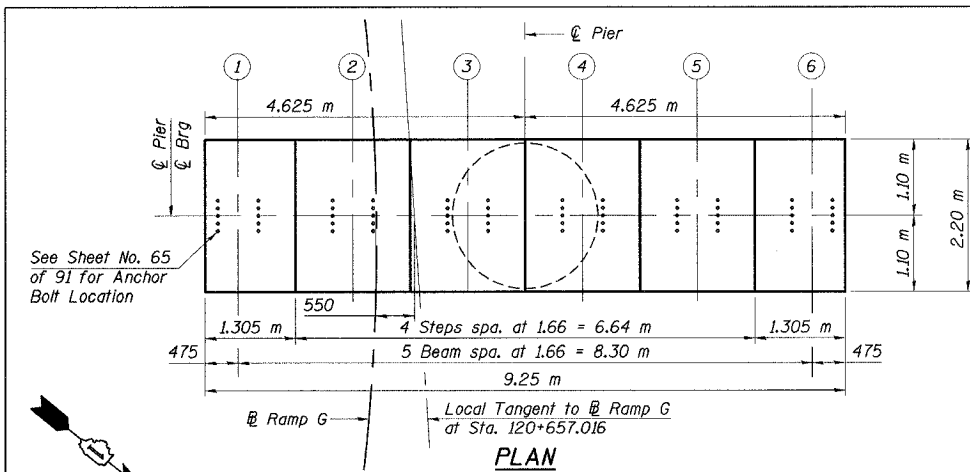


STATE OF ILLINOIS
DEPARTMENT OF TRANSPORTATION

ROUTE NO.	SECTION	COUNTY	TOTAL SHEETS	SHEET NO.	SHEET NO. 78 91 SHEETS
F. A. I. 80/94	0203.1B	COOK	200	140	
FED. ROAD DIST. NO. 1		ILLINOIS FED. AID PROJECT-		CONTRACT NO. 62854	

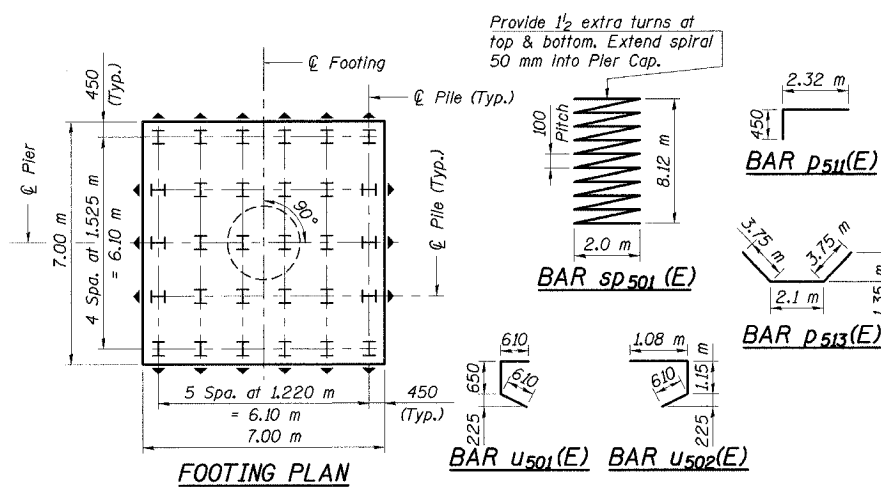
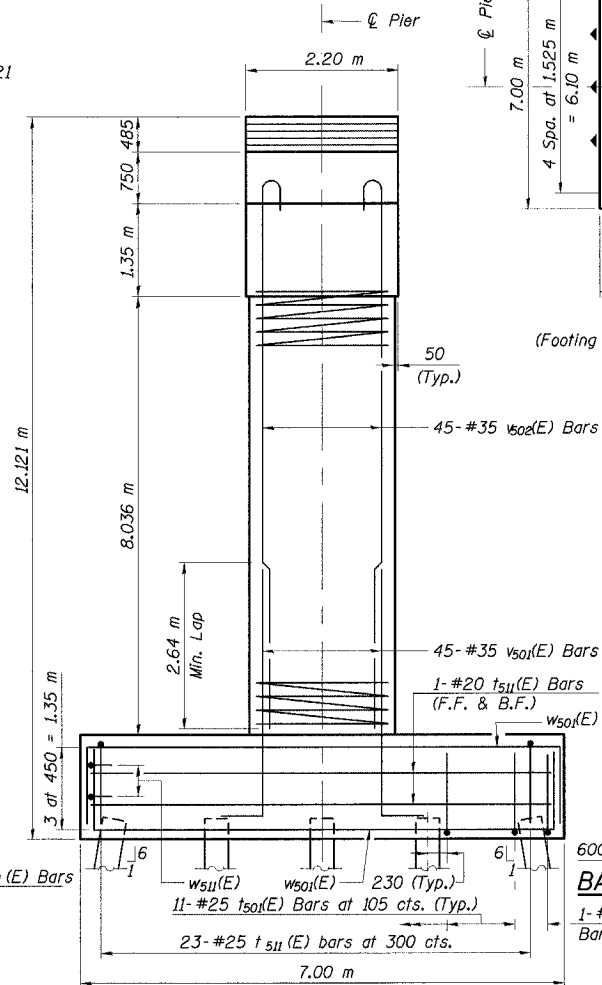
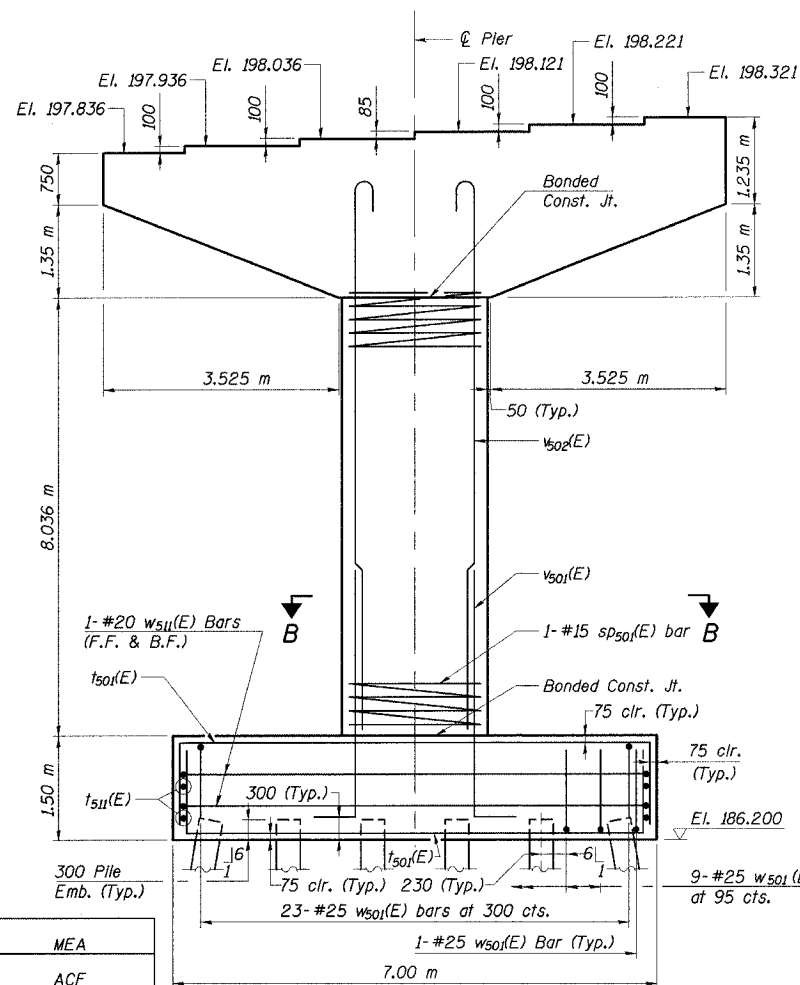


BILL OF MATERIAL

Bar No.	Size	Length (m)	Shape
P501(E)	76 #30	9.15	
P511(E)	32 #20	2.77	
P513(E)	8 #25	9.60	
P521(E)	2 #20	7.00	
P522(E)	2 #20	5.45	
P523(E)	2 #20	3.95	

TYPICAL LAPS

Bar Size	Min. Lap
#15	640
#20	790
#25	1320
#30	1850
#35	2640



PIER CAP REINFORCEMENT

FOOTING PLAN

TABLE OF DIMENSIONS

Rebar	A	B
S501(E)	2.1 m	720
S502(E)	2.1 m	830
S503(E)	2.1 m	1.06 m
S504(E)	2.1 m	1.46 m
S511(E)	300	720
S512(E)	300	850
S513(E)	300	1.06 m
S514(E)	300	1.46 m

BARS S501(E), S502(E), S503(E), S504(E), S511(E), S512(E), S513(E), S514(E)

PILE DATA

Type: HP360x108
Capacity: 650 kN (Driven to 975 kN Bearing)
Est. Length: 20.2 m
No. Req'd.: 30 (Includes 1 Test Pile)
Test Pile Driven to 146.3 kN

- Notes:
- Space reinforcement in cap to miss anchor bolts. See Sheet 65 for anchor bolt spacing.
 - Pour steps monolithically with cap beam.
 - All exposed edges shall have standard 20 mm chamfers.
 - All dimensions are in millimeters (mm) except as noted.
 - For backfill material see Footing Layout drawing.

Indicates battered pile

ILLINOIS DEPARTMENT OF TRANSPORTATION
I-94/IL 394 SOUTH BOUND

PIER 5

WB I-80/94 TO SB IL 394 - RAMP G
FAI 80/94 - FAP 332 SECTION 0203.1B
COOK COUNTY
STA. 120+796.063 STRUCTURE NO. 016-2804

DATE 3/23/05
SCALE ---

HNTB

JBeauchamp
 EA:34562\CADD\1\CTR_28-2804\cadd\ps150054a-2804.dgn
 28-MAR-2005 12:27

DESIGNED	MEA
CHECKED	ACF
DRAWN	JM
CHECKED	GPM