

STATE OF ILLINOIS
DEPARTMENT OF TRANSPORTATION

ROUTE NO.	SECTION	COUNTY	TOTAL SHEETS	SHEET NO.	SHEET NO. 81 91 SHEETS
F. A. I. 80/94	0203.1B	COOK	200	143	
FED. ROAD DIST. NO. 1	ILLINOIS	FED. AID PROJECT-	CONTRACT NO. 62854		

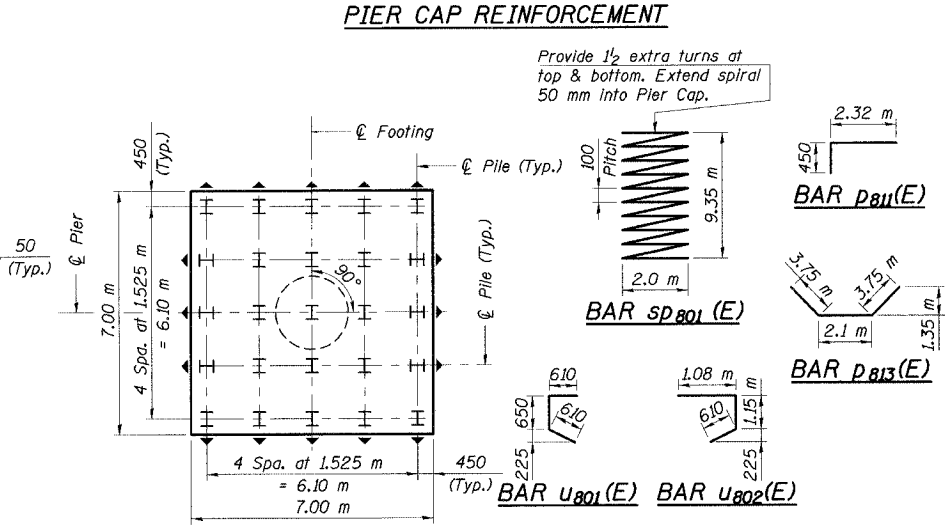
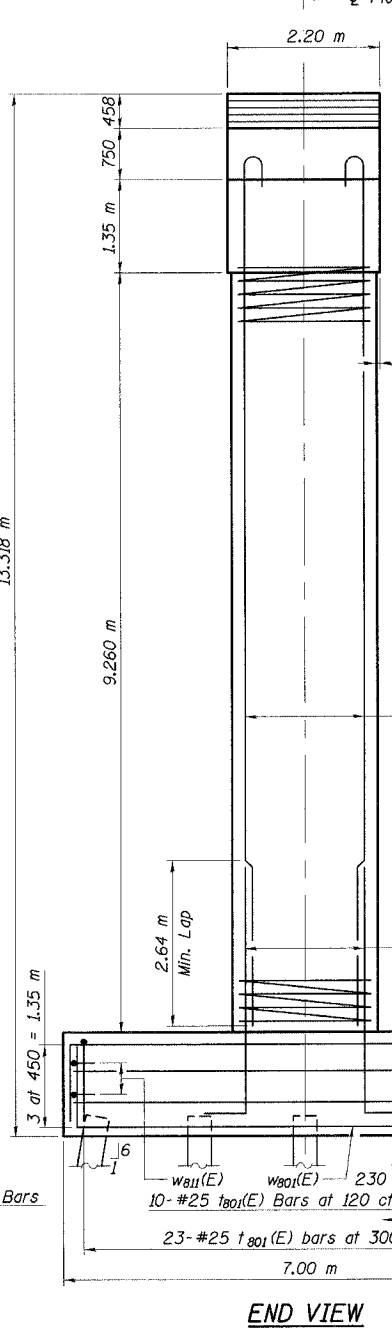
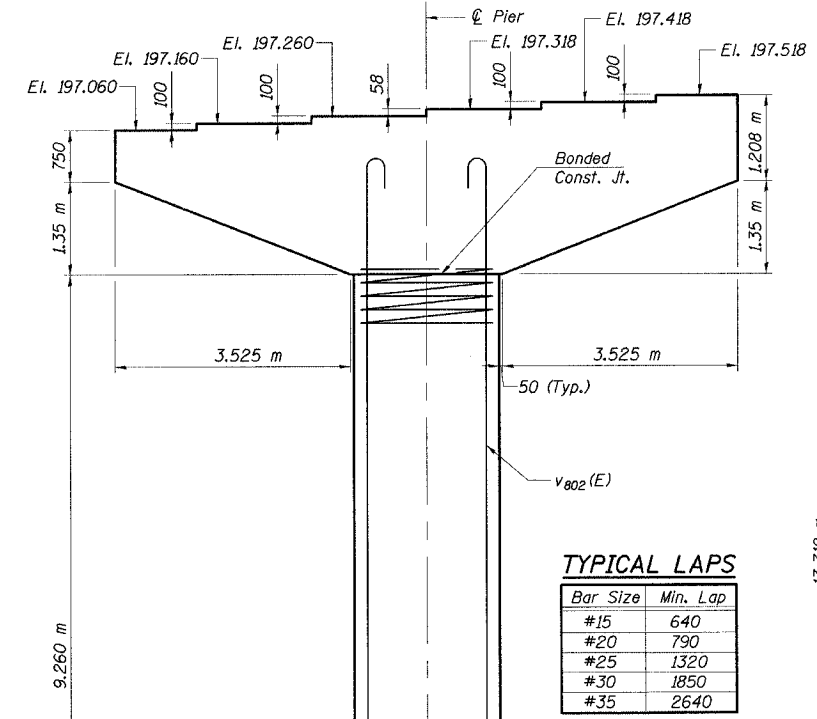
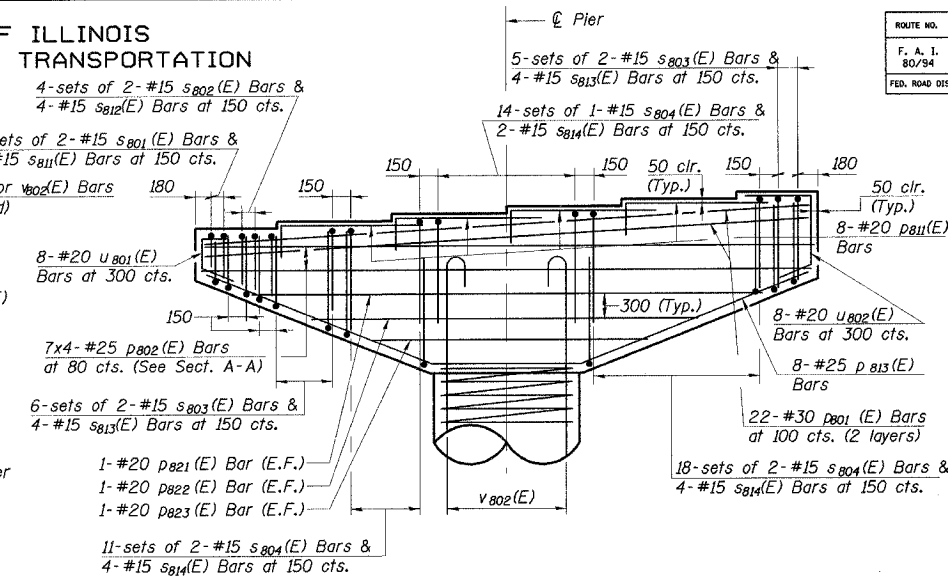
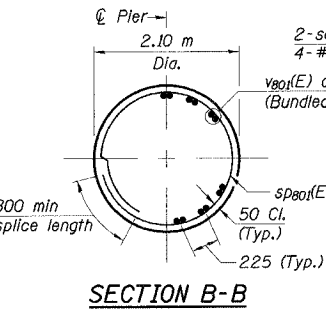
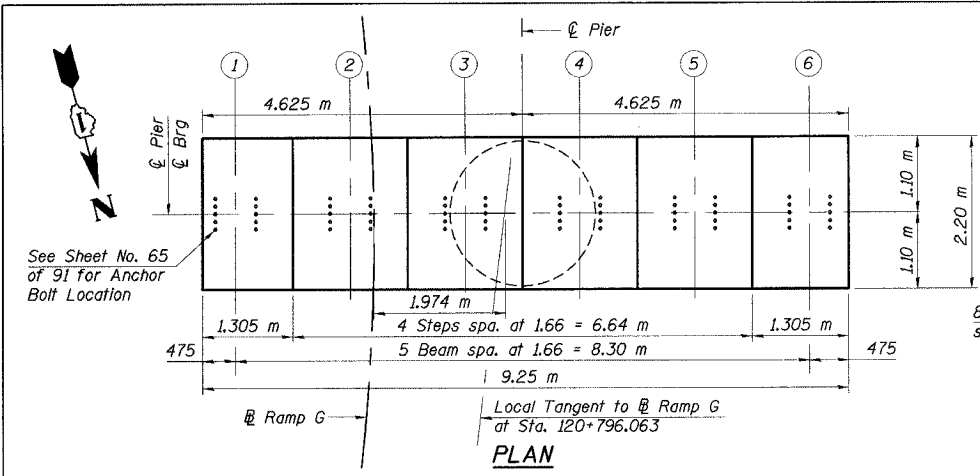


TABLE OF DIMENSIONS

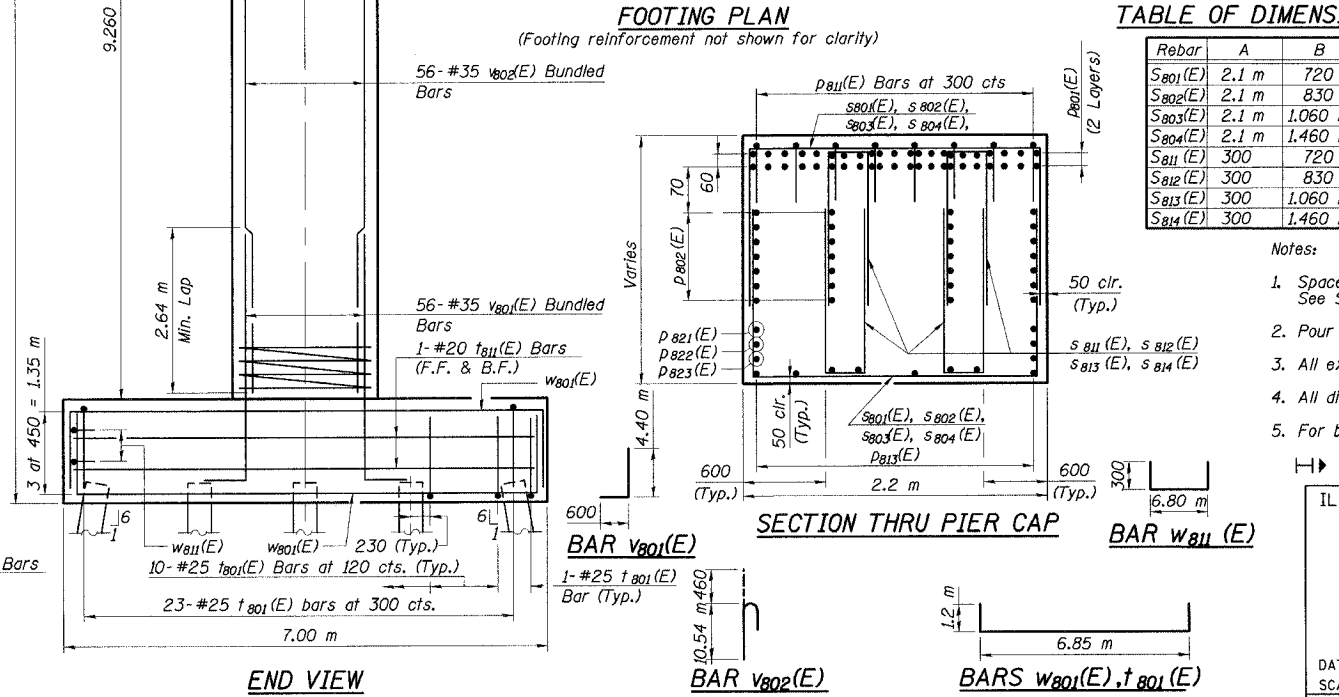
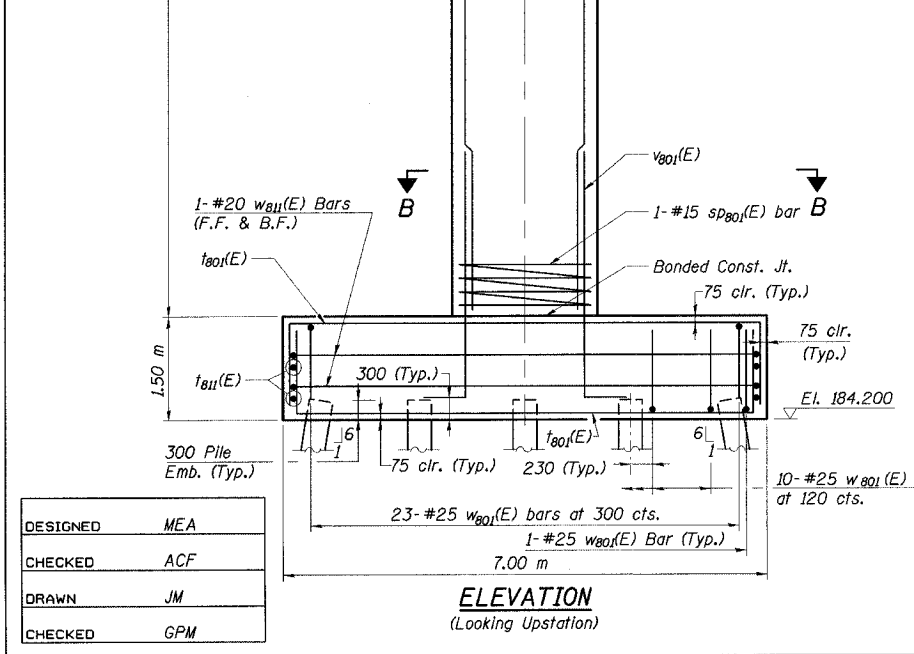
Rebar	A	B
S ₈₀₁ (E)	2.1 m	720
S ₈₀₂ (E)	2.1 m	830
S ₈₀₃ (E)	2.1 m	1,060 m
S ₈₀₄ (E)	2.1 m	1,460 m
S ₈₁₁ (E)	300	720
S ₈₁₂ (E)	300	830
S ₈₁₃ (E)	300	1,060 m
S ₈₁₄ (E)	300	1,460 m

BARS S₈₀₁(E), S₈₀₂(E), S₈₀₃(E), S₈₀₄(E), S₈₁₁(E), S₈₁₂(E), S₈₁₃(E), S₈₁₄(E)

PILE DATA

Type: HP360x108
Capacity: 650 kN (Driven to 975 kN Bearing)
Est. Length: 16.5 m
No. Req'd.: 25 (Includes 1 Test Pile)
Test Pile Driven to 1463 kN

- Notes:
- Space reinforcement in cap to miss anchor bolts. See Sheet 65 for anchor bolt spacing.
 - Pour steps monolithically with cap beam.
 - All exposed edges shall have standard 20 mm chamfers.
 - All dimensions are in millimeters (mm) except as noted.
 - For backfill material see Footing Layout drawing.



DESIGNED	MEA
CHECKED	ACF
DRAWN	JM
CHECKED	GPM

ILLINOIS DEPARTMENT OF TRANSPORTATION
I-94/IL 394 SOUTH BOUND
PIER 8
WB I-80/94 TO SB IL 394 - RAMP G
FAI 80/94 - FAP 332 SECTION 0203.1B
COOK COUNTY
STA. 120+796.063 STRUCTURE NO. 016-2804
DATE 3/23/05
SCALE ---

HNTB

JBeauchamp
E:\34562\CADD\B1\CTR_28_2804\cda\p150034s_2804.dgn
28-MAR-2005 12:26