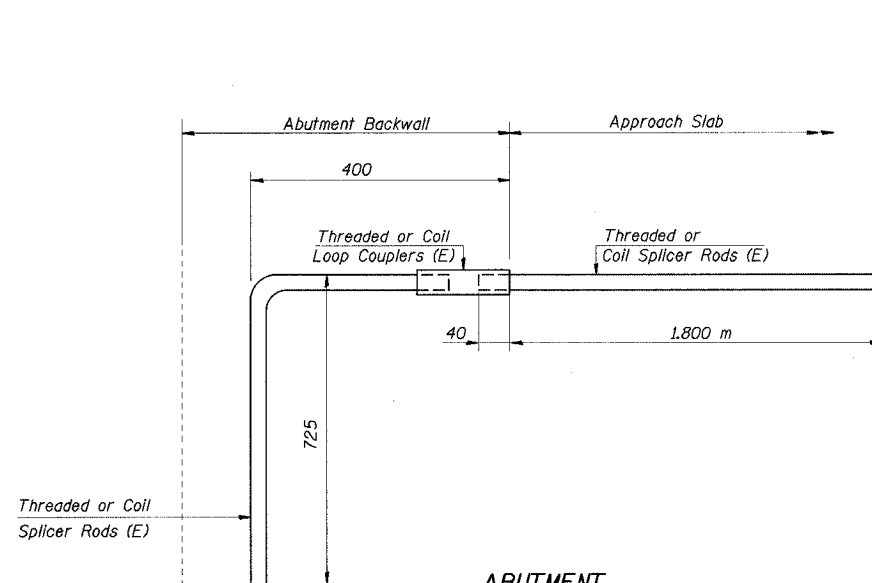


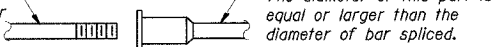
STATE OF ILLINOIS  
DEPARTMENT OF TRANSPORTATION

ROUTE NO.	SECTION	COUNTY	TOTAL SHEETS	SHEET NO.	SHEET NO. 82 91 SHEETS
F. A. I. 80/94	0203.1B	COOK	200	144	
FED. ROAD DIST. NO. 1	ILLINOIS	FED. AID PROJECT-			
CONTRACT NO. 62854					



**ABUTMENT  
BAR SPLICER ASSEMBLY DETAIL  
FOR #15 BAR**

Min. Capacity = 100 kN - tension
Min. Pull-out Strength = 40 kN - tension
No. Required = 31 (E. Abut.) 31 (W. Abut.)
62 Total

The diameter of this part is the same as the diameter of the bar spliced. 

**ROLLED THREAD DOWEL BAR**



\*\* ONE PIECE

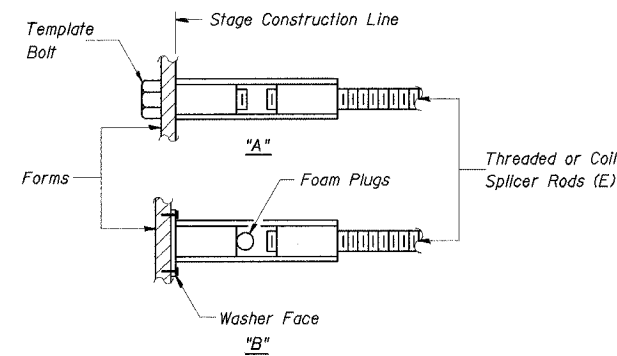
Wire Connector



**WELDED SECTIONS**

**BAR SPLICER ASSEMBLY ALTERNATIVES**

\*\* Heavy Hex Nuts conforming to ASTM A 563M, Grade C, D or DH may be used.



**INSTALLATION AND SETTING METHODS**

"A" : Set bar splicer assembly by means of a template bolt.  
"B" : Set bar splicer assembly by nailing to wood forms or cementing to steel forms.  
(E) : Indicates epoxy coating.

**NOTES**

Bar splicer assemblies shall be of an approved type and shall develop in tension at least 125 percent of the yield strength of the lapped reinforcement bars.  
Splicer rods shall be of minimum 400 MPa yield strength, threaded or coiled full length.  
All reinforcement bars shall be lapped and tied to the splicer rods or dowel bars.  
Bar splicer assemblies shall be epoxy coated according to the requirements for reinforcement bars.

Other systems of similar design may be submitted to the Engineer for approval. Approval shall be based on certified test results from an approved testing laboratory that the proposed bar splicer assembly satisfies the following requirements:

- ① Minimum Capacity =  $1.25 \times 10^{-3} \times f_y \times A_s$   
(Tension in kN)
- ② Minimum \*Pull-out Strength =  $1.25 \times 10^{-3} \times f_{s\text{allow}} \times A_s$   
(Tension in kN)

Where  $f_y$  = Yield strength of lapped reinforcement bars in MPa.  
 $f_{s\text{allow}}$  = Allowable tensile stress in lapped reinforcement bars in MPa (Service Load)  
 $A_s$  = Tensile stress area of lapped reinforcement bars ( $\text{mm}^2$ ).  
\* = 28 day concrete

**BAR SPLICER ASSEMBLIES**

Bar Size to be Spliced	Splicer Rod or Dowel Bar Length	Strength Requirements	
		Min. Capacity kN - tension	Min. Pull-Out Strength kN - tension
#15	610 mm	100	40
#20	790 mm	150	60
#25	1.32 m	250	100
#30	1.85 m	350	140

Bar splicer assemblies shall be according to Section 508 of the Standard Specifications, except as noted. The furnishing and installation of bar splicer assemblies will be measured and paid for at the contract unit price each for "BAR SPLICERS."  
All dimensions are in millimeters (mm) except as noted.

J:\Beauchamp  
E:\34562\CA00\Ab1\CTR.28\_2804\Acads\met150014a\_2804.dgn  
28-MAR-2005 12:25

DESIGNED	---
CHECKED	---
DRAWN	GPM
CHECKED	JJK

ILLINOIS DEPARTMENT OF TRANSPORTATION  
I-94/IL 394 SOUTH BOUND

**BAR SPLICER ASSEMBLY DETAILS**  
WB I-80/94 TO SB IL 394 - RAMP G  
FAI 80/94 - FAP 332 SECTION 0203.1B  
COOK COUNTY  
STA. 120+796.063 STRUCTURE NO. 016-2804  
DATE 3/23/05  
SCALE ---

**HNTB**