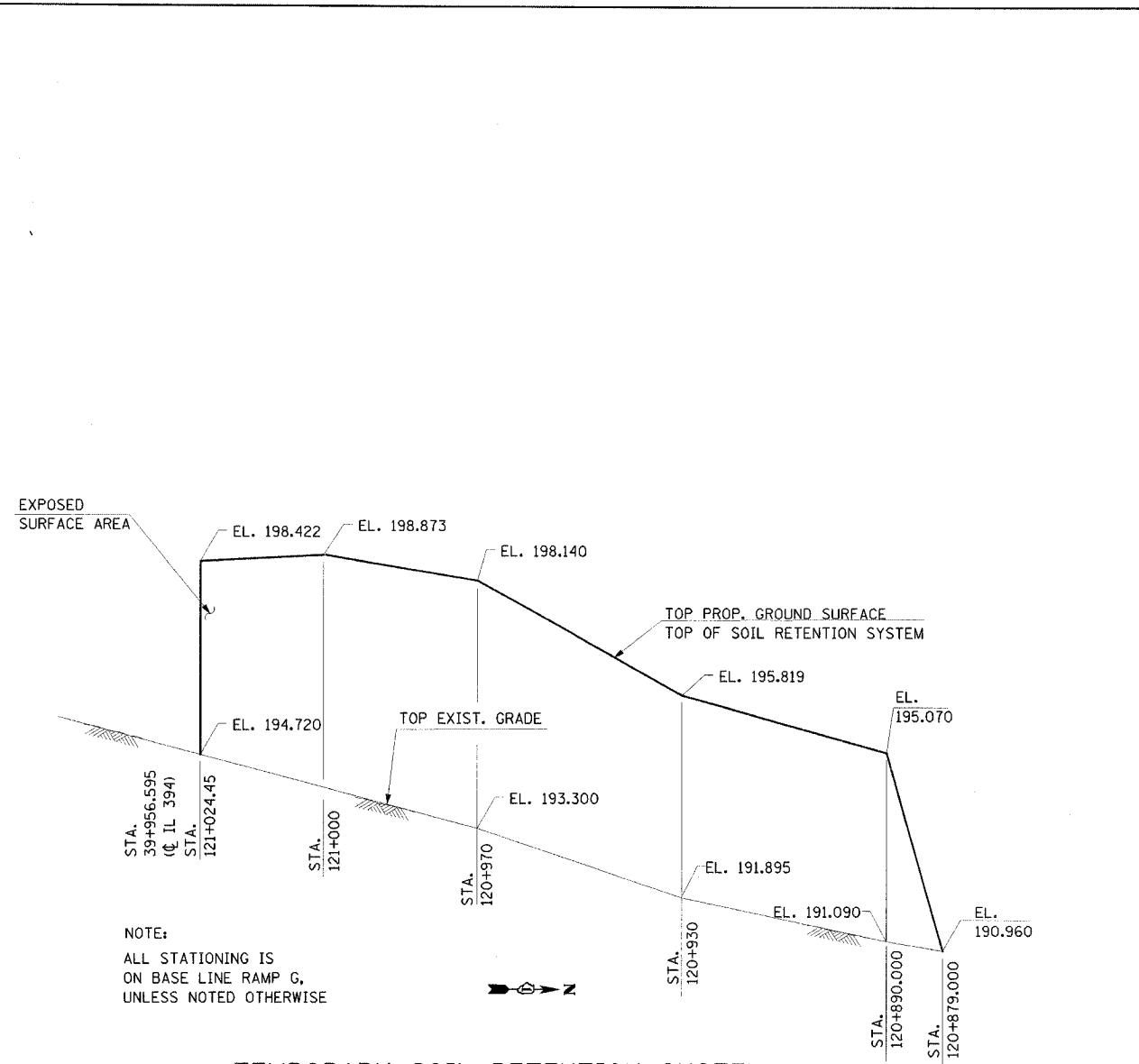


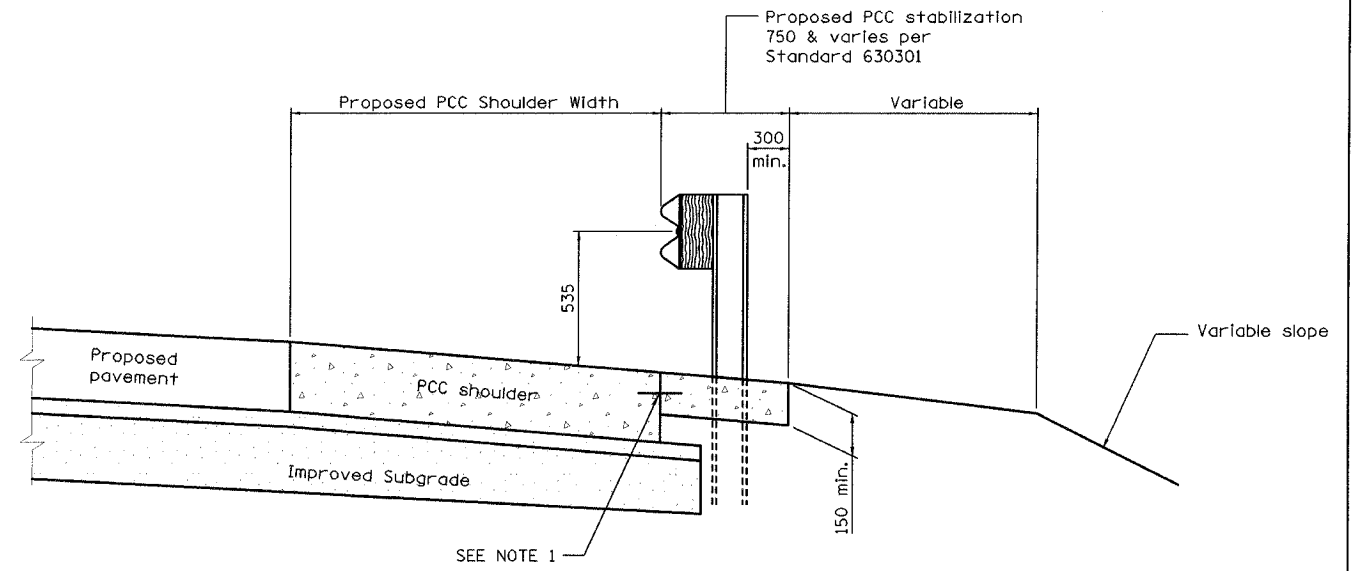
FAI RTE	SECTION	COUNTY	TOTAL SHEETS	SHEET NO.
80/94	0203.1B	COOK	200	156
STA.		TO STA.		
FED ROAD DIST. NO.		ILLINOIS FED. AID PROJECT		



NOTE:  
ALL STATIONING IS  
ON BASE LINE RAMP G,  
UNLESS NOTED OTHERWISE

**TEMPORARY SOIL RETENTION SYSTEM  
RAMP G-SE OF WEST ABUTMENT**

(N.T.S.)  
AREA= 607 SQ.M. (REMAIN IN PLACE)



**DETAILS FOR STEEL PLATE BEAM  
GUARD RAIL ADJACENT TO SHOULDER**

NOTES:

- LONGITUDINAL CONSTRUCTION JOINT WITH NO. 15 EPOXY COATED TIE BARS AT 600 CTS.
- "TIE BARS SHALL BE PAID FOR AS PART OF PORTLAND CEMENT CONCRETE SHOULDERS - 150 MM"
- SEE STANDARD 420001 AND THE DETAIL FOR PCC SHOULDER FOR DETAILS NOT SHOWN.

REVISIONS	
NAME	DATE

ILLINOIS DEPARTMENT OF TRANSPORTATION  
I-80/94 WB FLYOVER RAMP  
TO SB IL 394 (RAMP G)  
**TEMP. SOIL RETENTION SYSTEM/  
GUARDRAIL STABILIZATION  
DETAILS**  
HORIZ SCALE: NONE  
VERT SCALE: NONE  
DATE: MARCH 23, 2005  
DRAWN BY: DD/MAM  
CHECKED BY: BJM

