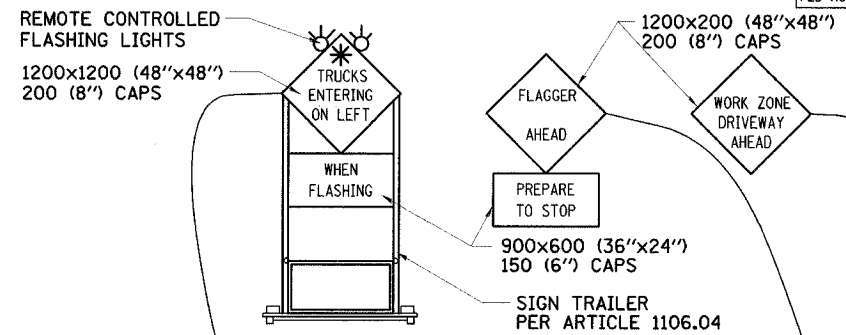
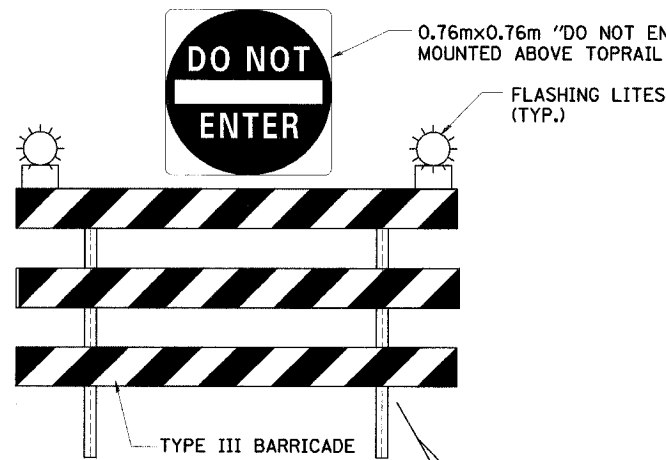
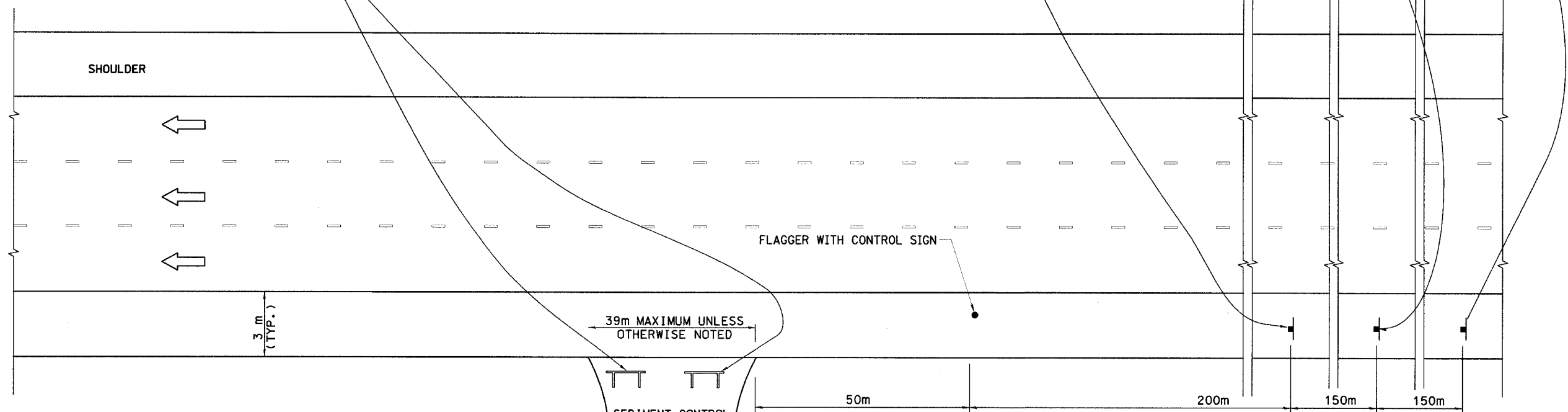


FAI R/T E	SECTION	COUNTY	TOTAL SHEETS	SHEET NO.
80/94	0203.1B	COOK	200	159
STA.		TO STA.		
FED ROAD DIST. NO.		ILLINOIS FED. AID PROJECT		

* SIGNS ARE TO READ "TRUCK ENTERING ON LEFT/RIGHT"
"TRUCK LEAVING LEFT/RIGHT" AS APPLICABLE.



WARNING SIGNS SHALL HAVE
BLACK LEGEND ON ORANGE BACKGROUND



NOTES

1. THE "FLAGGER AHEAD" AND "TRUCKS ENTERING ON LEFT/RIGHT" SIGNS SHALL BE MOVED OR TURNED AWAY FROM TRAFFIC WHEN THE FLAGGING OPERATION CEASES.
2. CONSTRUCTION ENTRANCES SHALL BE LOCATED AS PER TABLE A OR AT LOCATIONS AS REQUESTED BY THE CONTRACTOR AND APPROVED BY THE ENGINEER.
3. THE FLASHING LIGHT ON THE "TRUCKS ENTERING ON LEFT" SIGN SHALL MEET THE REQUIREMENTS OF ARTICLE 702.05(c) AND BE OPERATED BY THE FLAGGER REMOTELY. THE LIGHTS SHALL BE FLASHING ONLY WHEN A VEHICLE IS ENTERING THE EXPRESSWAY.
4. EXITING THE WORK ZONE AT ANY PLACE OTHER THAN AT A CONSTRUCTION ENTRANCE WILL BE PROHIBITED.
5. ALL VEHICLES SHALL ENTER THE WORK ZONE AT THESE OPENINGS. USING THEIR TURN SIGNALS TO WARN MOTORISTS.
6. INSTALL A MINIMUM OF 2 TYPE III BARRICADES WITH FLASHING LIGHTS AND 1 DO NOT ENTER SIGN AT ALL TIMES WHEN NO WORK IS PERFORMED AT THE SITE. THE COSTS OF INSTALLING, MAINTAINING AND REMOVING ALL BARRICADES AND SIGNS SHOWN ON THIS SHEET SHALL BE INCLUDED IN THE UNIT BID PRICE FOR "TRAFFIC CONTROL AND PROTECTION (EXPRESSWAYS)"

**MAINTENANCE OF TRAFFIC
LEGEND AND SYMBOLS**

- FLAGGER WITH CONTROL SIGN
- ← DIRECTION OF TRAFFIC
- ⊥ SIGN ON SUPPORT

**TABLE A
WORK ZONE DRIVEWAY LOCATIONS**

STATION	LOCATION
A TOTAL OF THREE LOCATIONS ARE TO BE PROVIDED PER DIRECTION OF MIKE WAITER	

REVISIONS	
NAME	DATE

ILLINOIS DEPARTMENT OF TRANSPORTATION
I-80/94 WB FLYOVER RAMP
TO SB IL 394 (RAMP G)

**TRAFFIC CONTROL FOR
STABILIZED CONSTRUCTION
ENTRANCE/EXIT**

HORIZ SCALE:
VERT SCALE:
DATE: MARCH 23, 2005

DRAWN BY: MAM
CHECKED BY: JES

HNTB