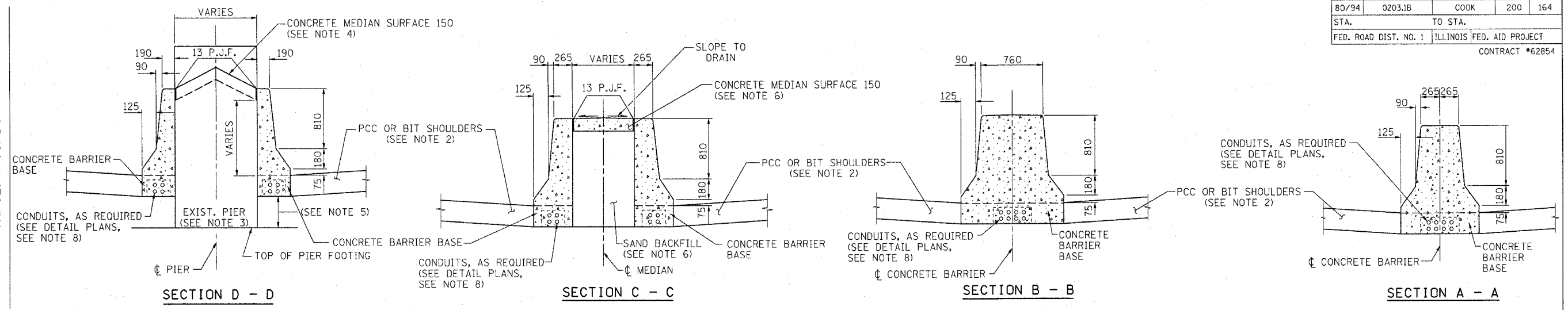
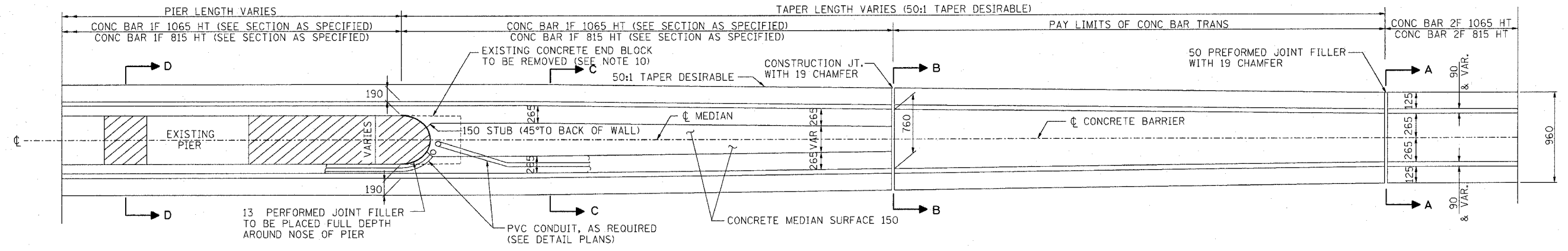


| | | | | |
|-----------------------|---------|---------------------------|--------------|-----------------|
| F.A.I. RTE. | SECTION | COUNTY | TOTAL SHEETS | SHEET NO. |
| 80/94 | 0203.1B | COOK | 200 | 164 |
| STA. | TO STA. | | | |
| FED. ROAD DIST. NO. 1 | | ILLINOIS FED. AID PROJECT | | CONTRACT #62854 |

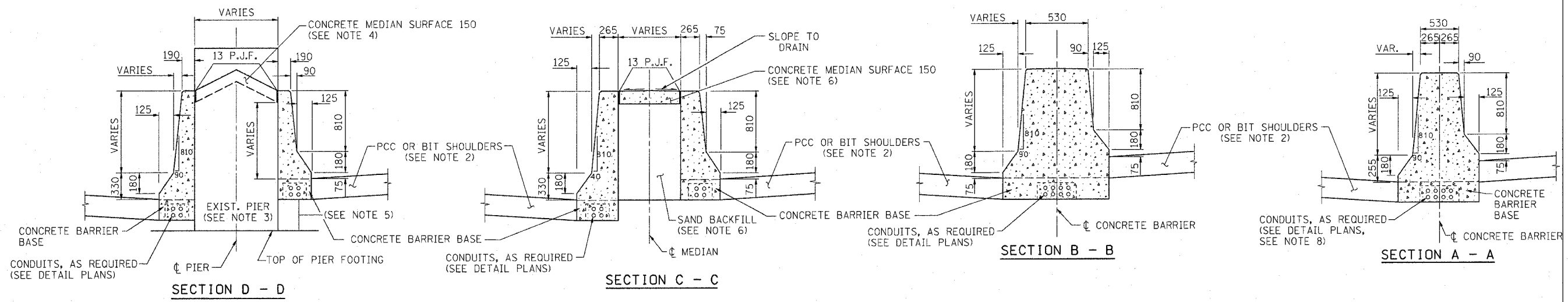
TANGENT CONDITION



PLAN VIEW OF CONCRETE BARRIER TRANSITION



(SUPER ELEVATION CONDITION)



NOTES:

- FOR ADDITIONAL CONCRETE BARRIER DETAILS SEE CONCRETE BARRIER TYPICAL SECTIONS AND STANDARDS 637001 AND 637006.
- FOR ADDITIONAL SHOULDER DETAILS SEE TYPICAL SECTIONS, PIPE UNDERDRAIN & SHOULDER DETAILS SHEETS AND STANDARDS 601001, 482006, 483001 & 482001.
- IF THE PIER IS NEW CONSTRUCTION, THE CONCRETE BARRIER MAY BE POURED MONOLITHICALLY.
- PIER FILLER MATERIAL SHALL BE CONCRETE IF A MINIMUM 150 THICKNESS CAN BE MAINTAINED. IF THE 150 THICKNESS CANNOT BE MAINTAINED, USE ASPHALT FILLER MATERIAL AS DIRECTED BY THE ENGINEER.

- EXTEND THE BOTTOM OF THE CONCRETE BARRIER TO THE PIER FOOTING WHEN THE DEPTH IS LESS THAN 150.
- SAND BACKFILL AND CONCRETE MEDIAN SURFACE 150 WILL BE REQUIRED. FILLING WITH CONCRETE WILL NOT BE ALLOWED. THIS WORK SHALL BE PAID FOR SEPARATELY.
- TAPERS INTO AND AWAY FROM SIGN FOUNDATIONS SHALL BE THE SAME AS SHOWN ABOVE.
- INSTALL DUCT BETWEEN THE SIGN FOUNDATION AND THE NEAREST LIGHT POLE FOUNDATION WHERE SHOWN ON THE PLANS. THIS WORK SHALL BE PAID FOR SEPARATELY.
- PREFORMED JOINT FILLER OF THE SIZE SPECIFIED SHALL BE INCIDENTAL TO THE CONCRETE BARRIER OF THE TYPE INVOLVED.

- THE REMOVAL OF THE EXISTING CONCRETE END BLOCKS IF APPLICABLE SHALL BE INCLUDED IN THE COST OF THE CONCRETE BARRIER OF THE TYPE INVOLVED.
- THE CONDUIT LOCATIONS SHOWN ARE TYPICAL. ADDITIONAL CONDUITS MAY BE REQUIRED. FOR THE SIZE, LOCATION AND DETAILS, SEE THE ELECTRICAL AND/OR SURVEILLANCE PLANS. THE FURNISHING AND PLACING OF CONDUITS OF THE SIZE SPECIFIED SHALL BE PAID FOR SEPARATELY.

| REVISIONS | |
|-----------|----------|
| NAME | DATE |
| MDV | 01/30/04 |
| MRN | 3/29/04 |
| | |
| | |
| | |
| | |
| | |
| | |

ILLINOIS DEPARTMENT OF TRANSPORTATION
F.A.I. ROUTE 80/94 (KINGERY EXPRESSWAY)

**CONCRETE BARRIER
DETAILS
SHEET 1 OF 2**

SCALE NONE
DATE 10/03

DRAWN BY ACE/CAD
CHECKED BY

AMERICAN
CONSULTING ENGINEERS