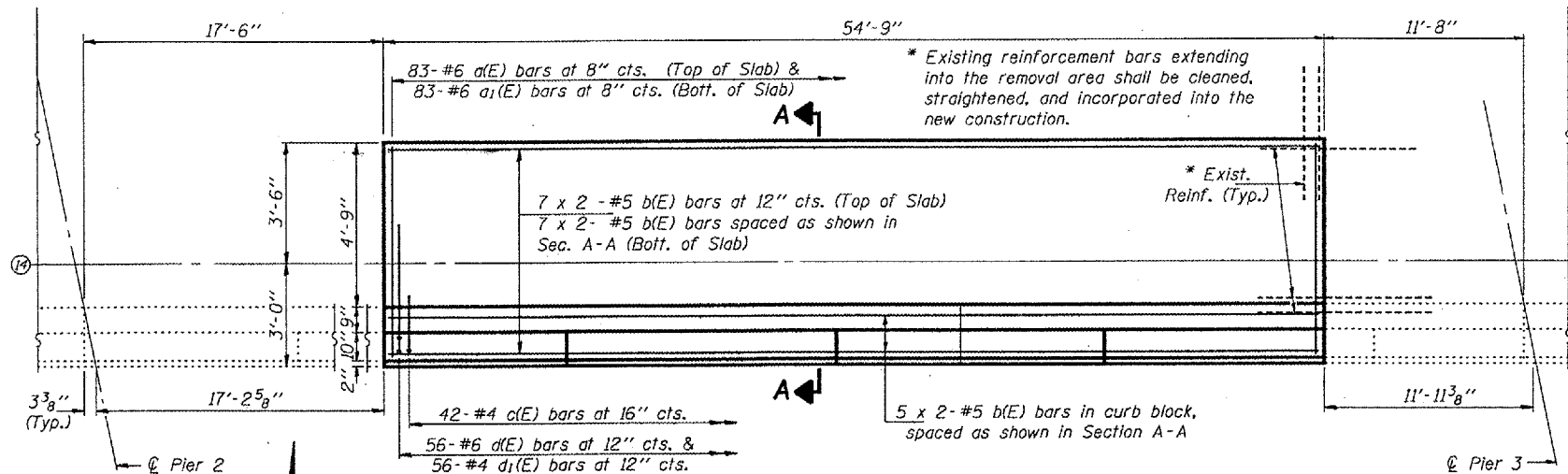
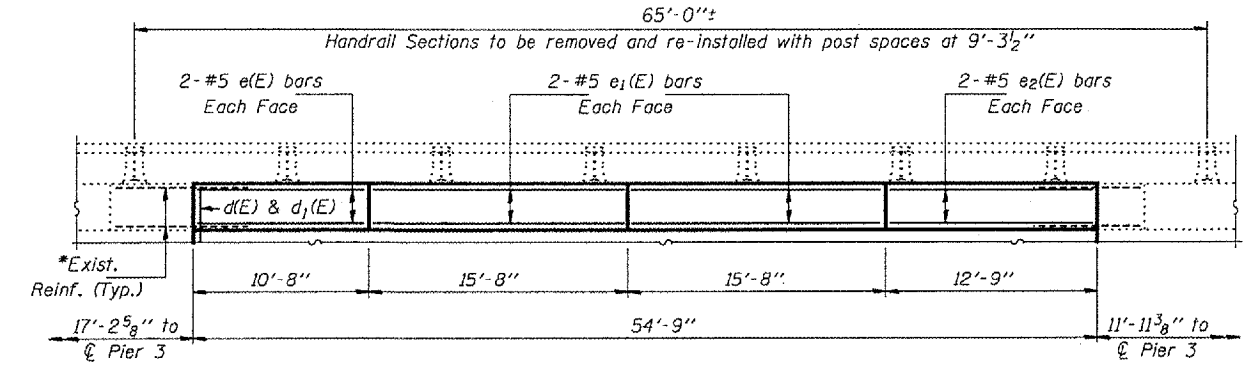


STATE OF ILLINOIS
DEPARTMENT OF TRANSPORTATION

ROUTE NO.	SECTION	COUNTY	SHEET	SHEET NO. 2
F.A. 61	531-4HB	COOK	10	3 SHEETS
FED. ROAD DIST. NO. 7	TITLE	FED. AID PROJECT		
		Contract No. 62865		

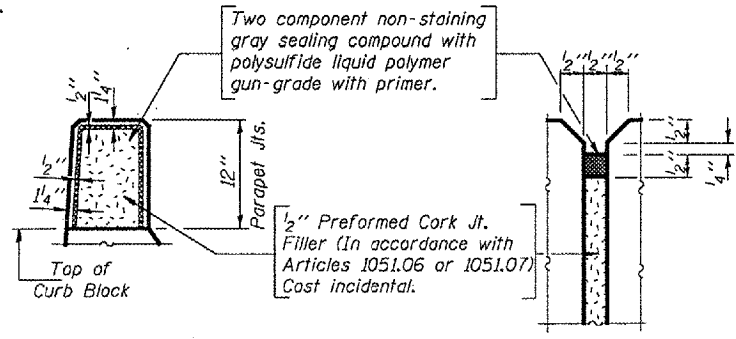


**PARTIAL PLAN
CONCRETE REMOVAL & REPLACEMENT**
Perimeters of concrete removal areas shall be saw cut $\frac{3}{4}$ " into existing $7\frac{1}{2}$ " deck prior to the removal of concrete.

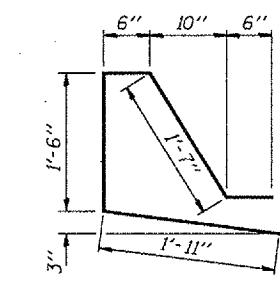


**PARTIAL OUTSIDE ELEVATION
PARAPET REMOVAL & REPLACEMENT**

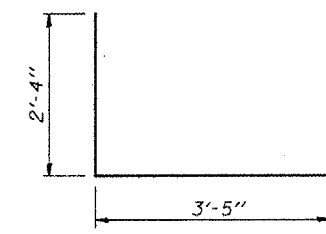
MIN. BAR LAPS
#5 Bar = 1'-8"
#6 Bar = 1'-8"



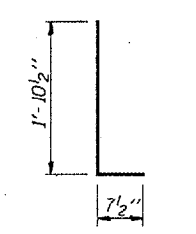
SECTION AT PARAPET



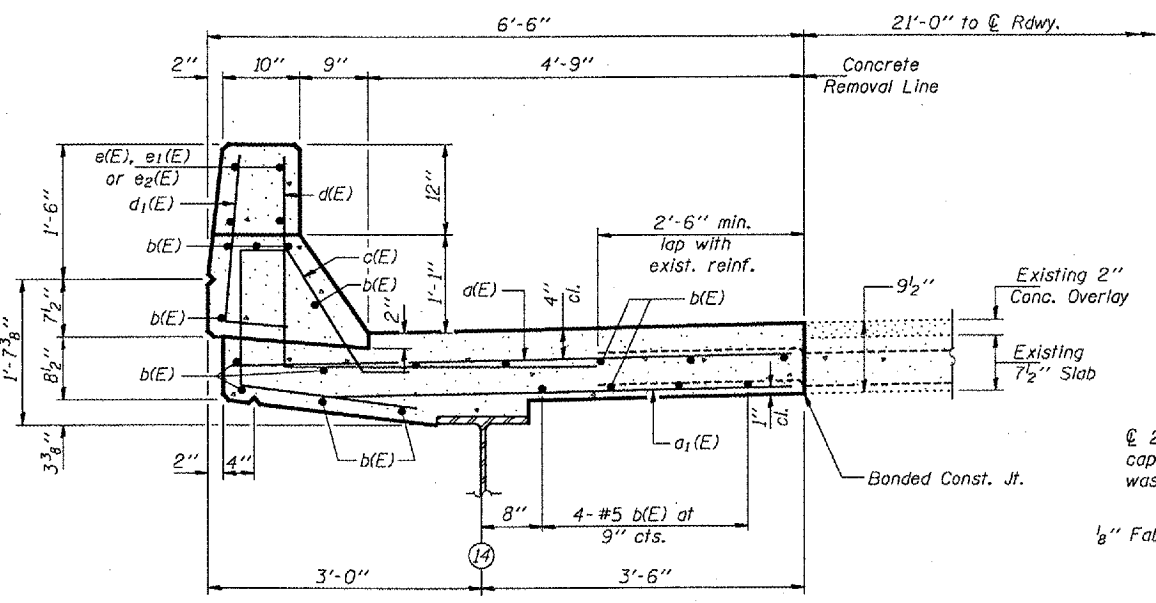
BAR c(E)



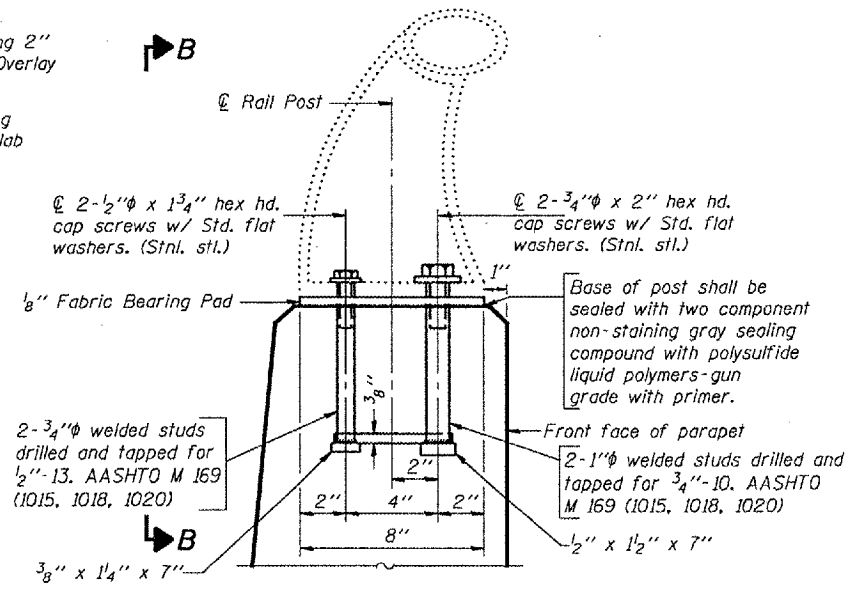
BAR d(E)



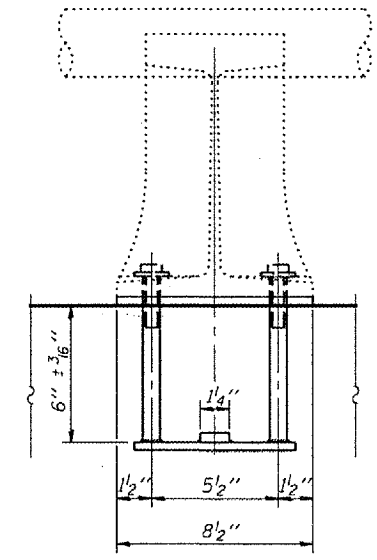
BAR d1(E)



SECTION A-A



RAIL POST ANCHOR DETAIL
(6 Required)



VIEW B-B

BILL OF MATERIAL

Bar	No.	Size	Length	Shape
d(E)	83	#6	6'-2"	—
a1(E)	83	#6	5'-0"	—
b(E)	38	#5	28'-4"	—
c(E)	42	#4	6'-0"	L
d(E)	56	#6	5'-9"	L
d1(E)	56	#4	2'-6"	L
e(E)	4	#5	10'-5"	—
e1(E)	8	#5	15'-5"	—
e2(E)	4	#5	12'-6"	—
Concrete Removal			Cu. Yd.	16.1
Concrete Superstructure			Cu. Yd.	16.1
Reinforcement Bars, Epoxy Coated			Lbs.	3480

Reinforcement bars designated (E) shall be epoxy coated.
Bars indicated thus 1 x 2-#5 etc. indicates 1 line of bars with 2 lengths per line.

**BRIDGE REPAIRS
CONCRETE REMOVAL & REPLACEMENT DETAILS**
IL. RT. 68 (DUNDEE RD.) OVER
F.A. RTE. 61 (IL. RT. 53) SEC. 531-4HB
COOK COUNTY
S.N. 016-0961

DESIGNED	VHV	APRIL 11, 2005
CHECKED	MJT	EXAMINED <i>John A. Morris</i> ENGINEER OF STRUCTURAL SERVICES
DRAWN	ballva	PASSED <i>Ralph E. Anderson</i> ENGINEER OF BRIDGES AND STRUCTURES
CHECKED	VHV MJT	