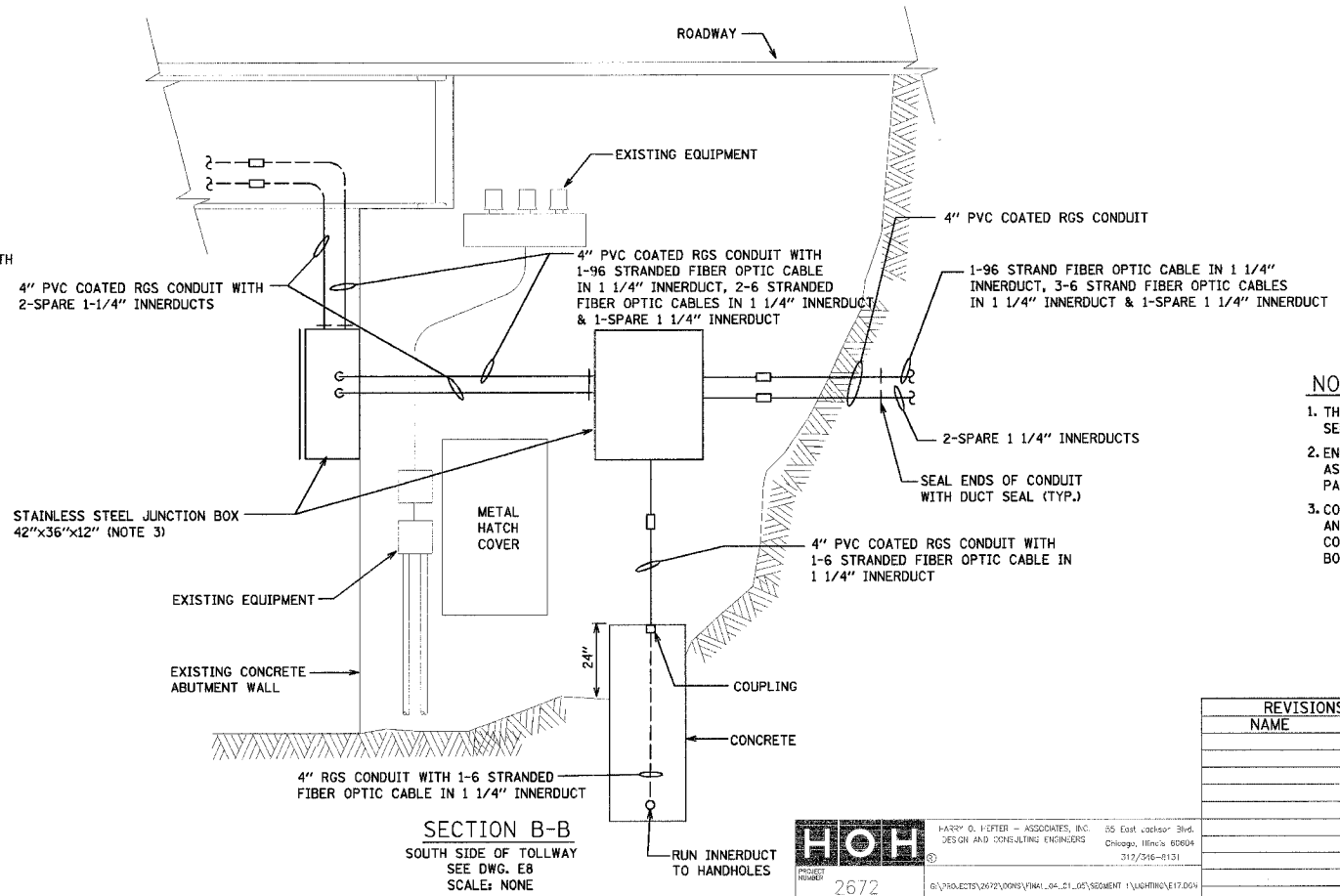
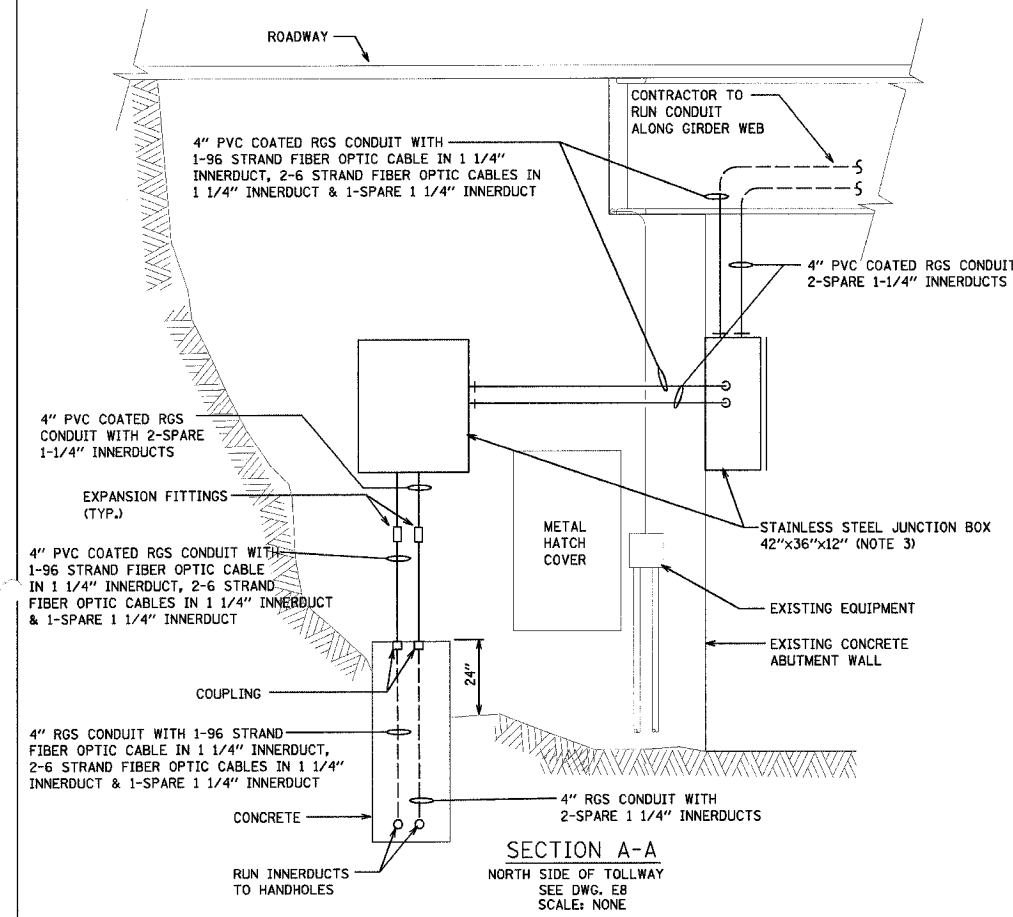
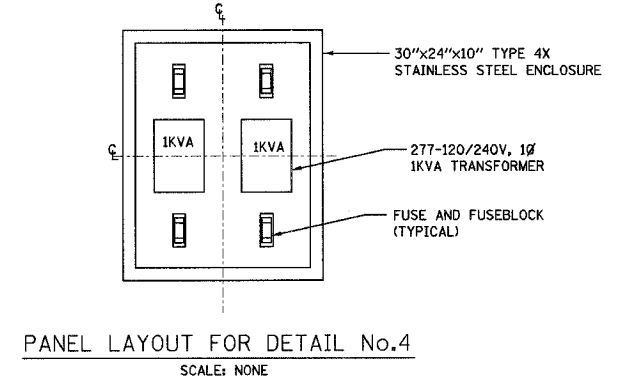
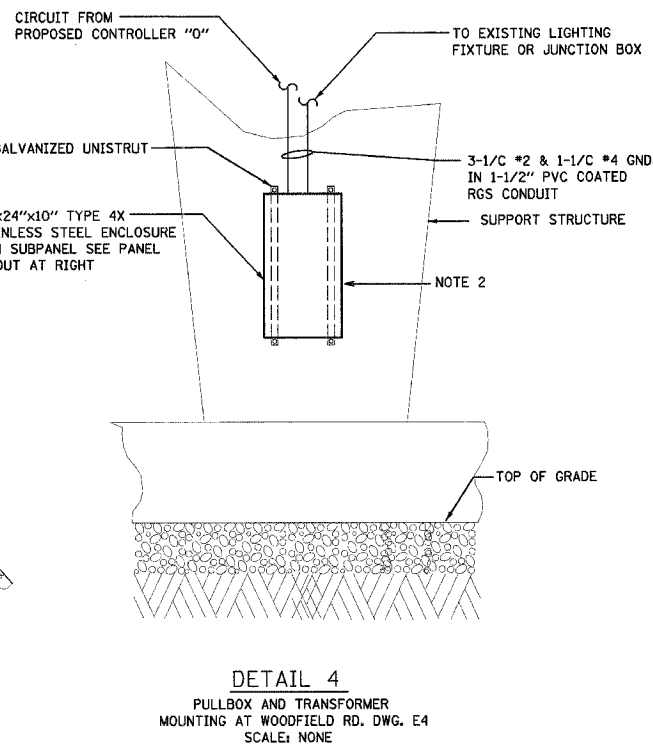
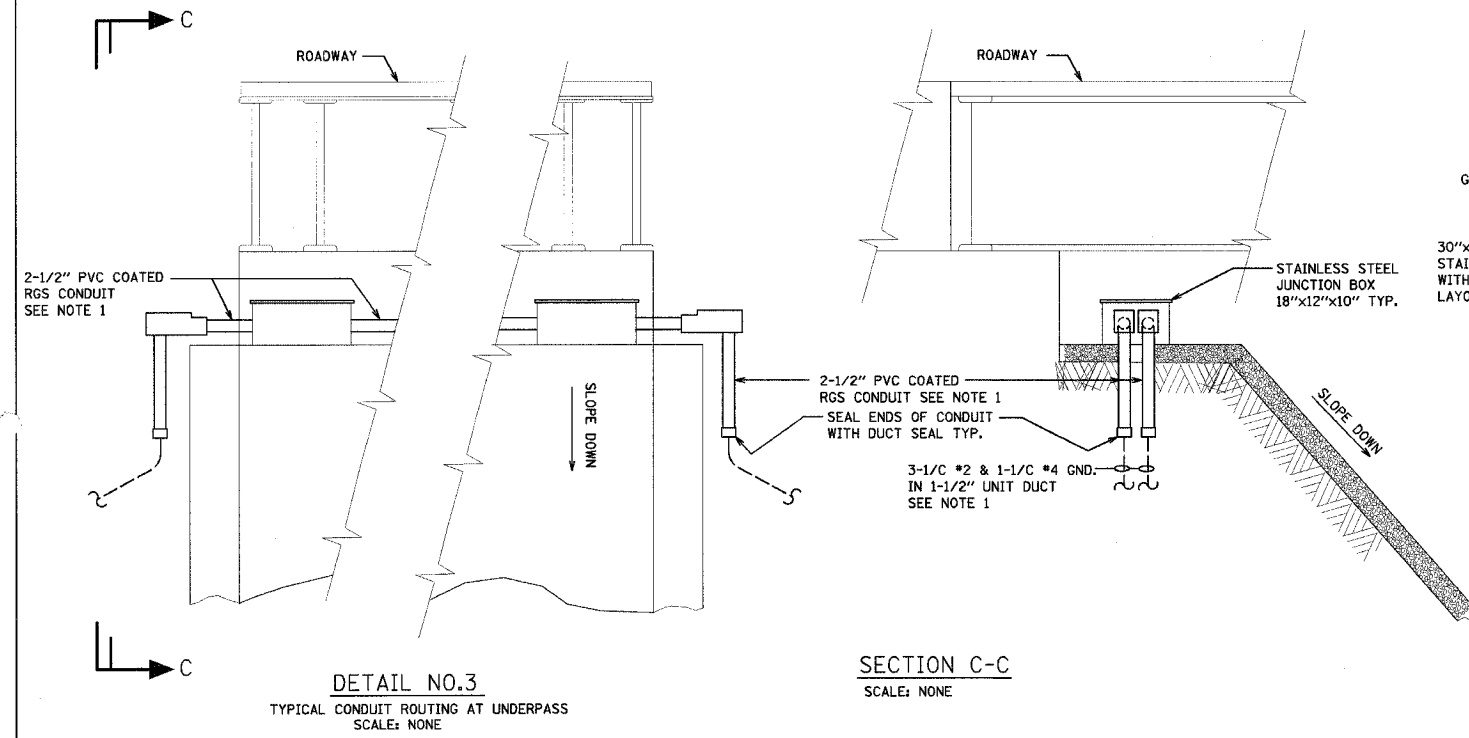


F.A. RTE.	SECTION	COUNTY	TOTAL SHEETS	SHEET NO.
290	0305-302K-3	COOK	55	30
STA.	TO STA.			
FED. ROAD DIST. NO.	ILLINOIS FED. AID PROJECT			



- NOTES:**
1. THE WIRE GAUGE, AMOUNT AND SIZE OF CONDUIT VARIES SEE PLAN DWG. E1, E2, E6 AND E10 FOR SPECIFICS.
 2. ENCLOSURE, 1 1/2" PVC COATED RGS CONDUIT, AND ALL OTHER ASSOCIATED MATERIAL AND LABOR, SHALL BE INCLUDED AS PART OF PAY ITEM, MODIFY EXISTING UNDERPASS LIGHTING-WOODFIELD RD.
 3. CONCRETE, PVC COATED RGS CONDUIT, EXPANSION FITTINGS, COUPLINGS AND ALL OTHER ASSOCIATED MATERIAL AND LABOR REQUIRED FOR A COMPLETE INSTALLATION, SHALL BE INCLUDED IN PAY ITEM, JUNCTION BOX, STAINLESS STEEL, ATTACHED TO STRUCTURE 42"x30"x12".

REVISIONS	
NAME	DATE

ILLINOIS DEPARTMENT OF TRANSPORTATION
**ILLINOIS ROUTE 53
 PROPOSED LIGHTING PLAN
 SECTION AND DETAILS**

SCALE: VERT. NONE
 HORIZ. NONE
 DATE 2-28-2005

DRAWN BY MEK
 CHECKED BY PBL

HOH HARRY O. HOFFER - ASSOCIATES, INC.
 DESIGN AND CONSULTING ENGINEERS
 55 East Madison Blvd.
 Chicago, Illinois 60604
 312/754-8131
 312/754-8131

PROJECT NUMBER: 2672
 DATE: 2-28-2005