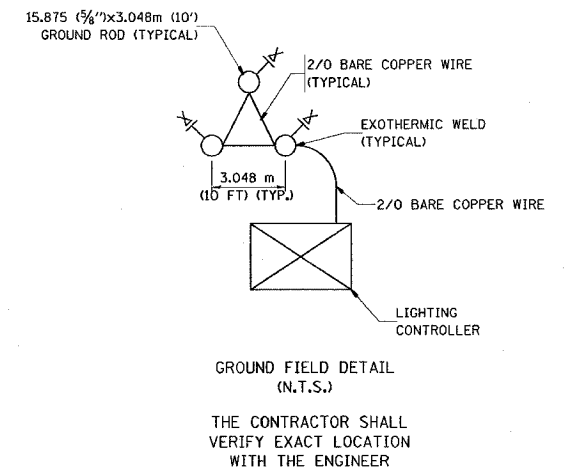
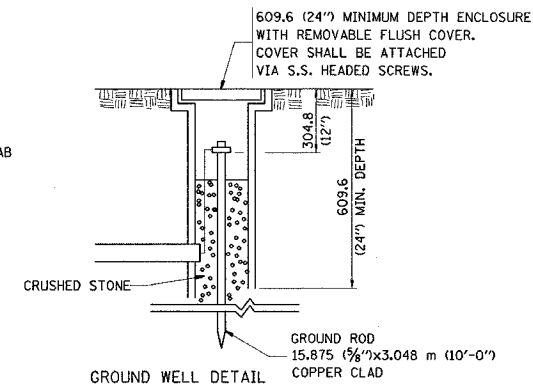
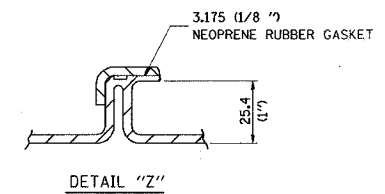
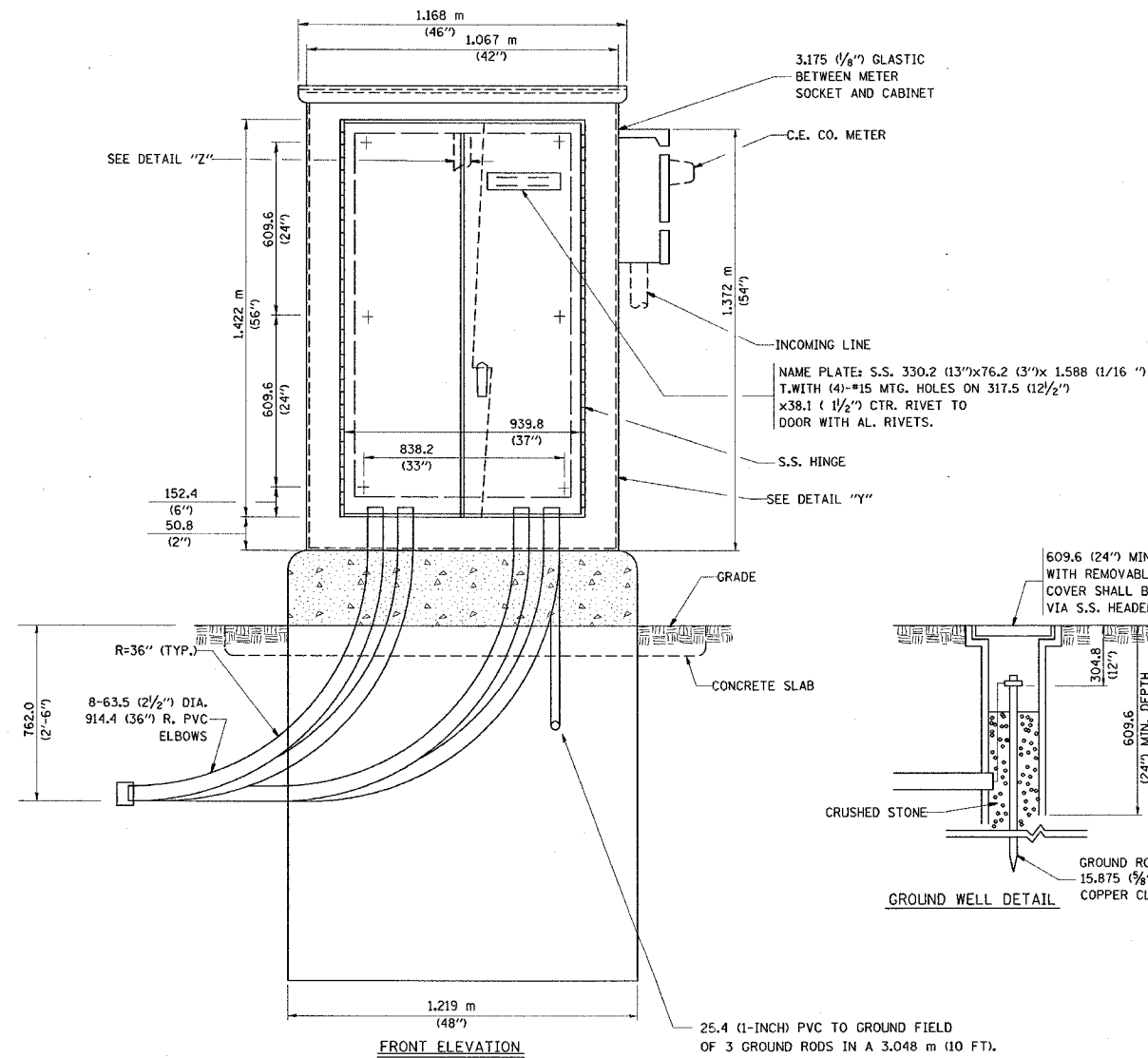
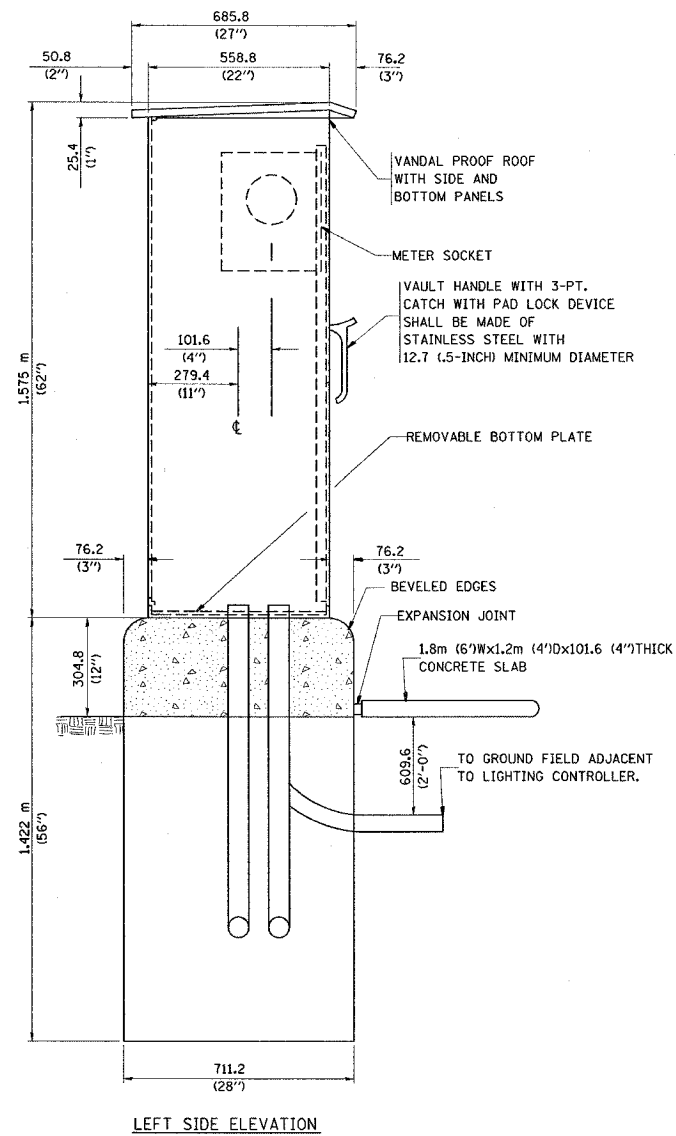
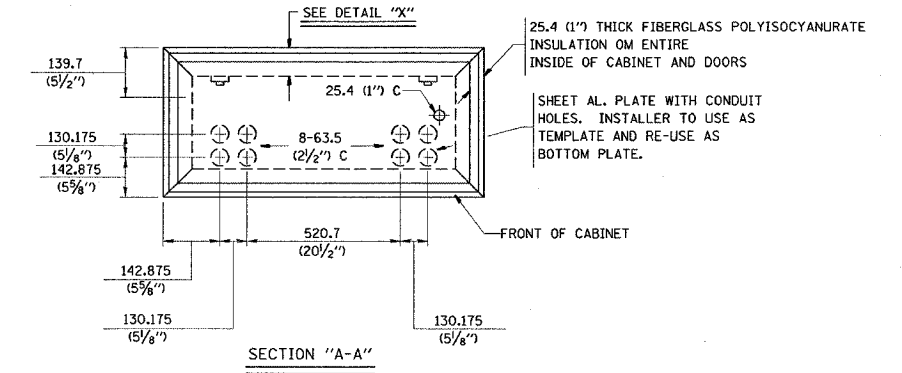
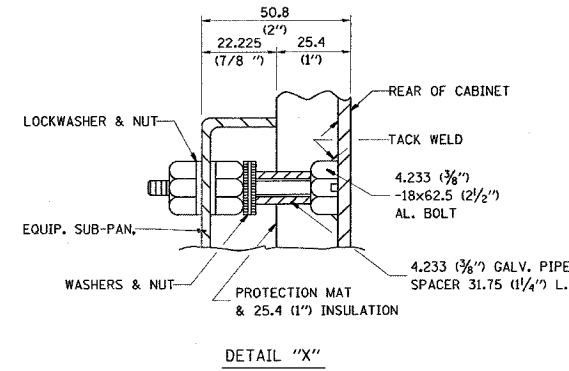
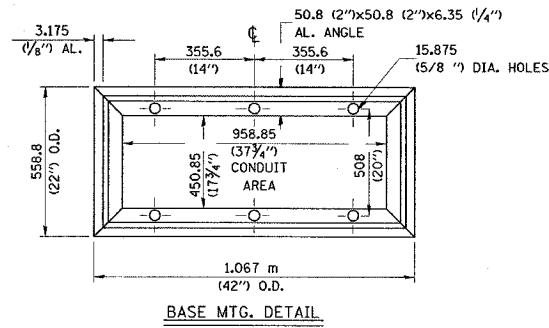
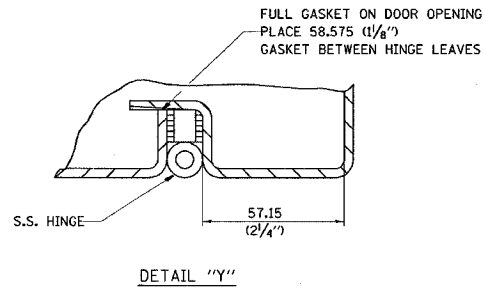


P.A. RFL.	SECTION	COUNTY	TOTAL SHEETS	SHEET NO.
240	0305-302K-L-3	COOK	55	33
STA.		TO STA.		
FED. ROAD DIST. NO.	ILLINOIS	FED. AID PROJECT		



25.4 (1-INCH) PVC TO GROUND FIELD OF 3 GROUND RODS IN A 3.048 m (10 FT). TRIANGLE CONNECTED VIA BARE COPPER WIRE. VERIFY EXACT LOCATION OF GROUND FIELD WITH THE ENGINEER. NO GROUND WELL SHALL BE PLACED IN CONCRETE PAD IN FRONT OF CONTROLLER.

REVISIONS		4/05
NAME	DATE	
R. TOMSONS		

ILLINOIS DEPARTMENT OF TRANSPORTATION

LIGHTING CONTROLLER
RADIO CONTROL, DUPLEX TYPE
WITH SCADA AND CCTV POWER
BE-207 SHT 3 OF 4

SCALE: NONE

DATE 3/31/2005

DRAWN BY C.A.D.
CHECKED BY BE207

REVISION DATE: 04/31/05