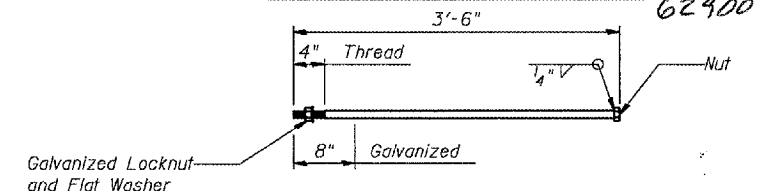
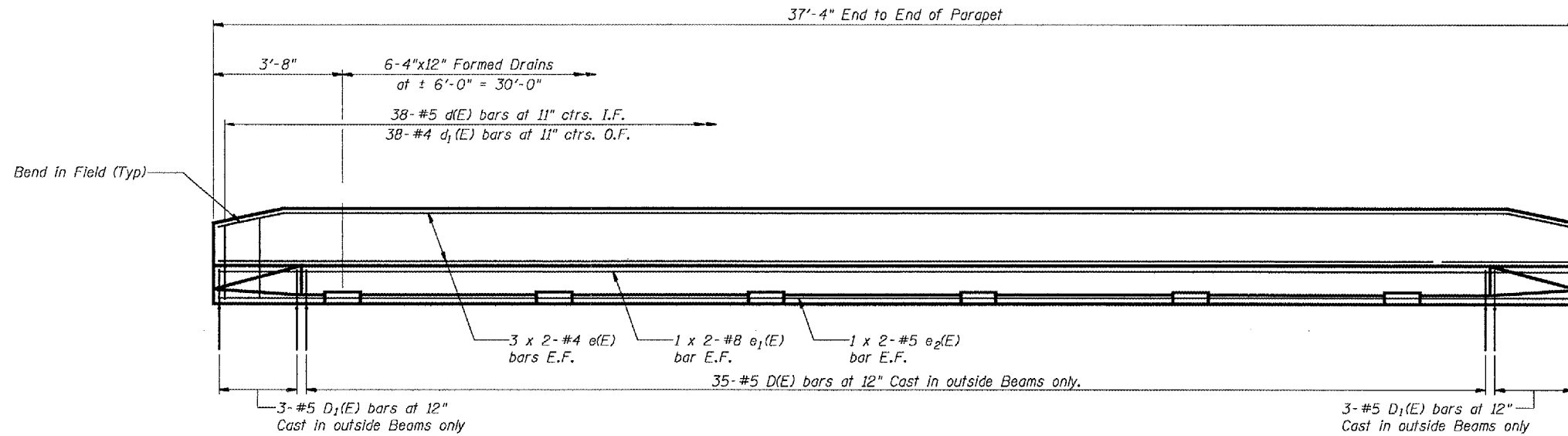
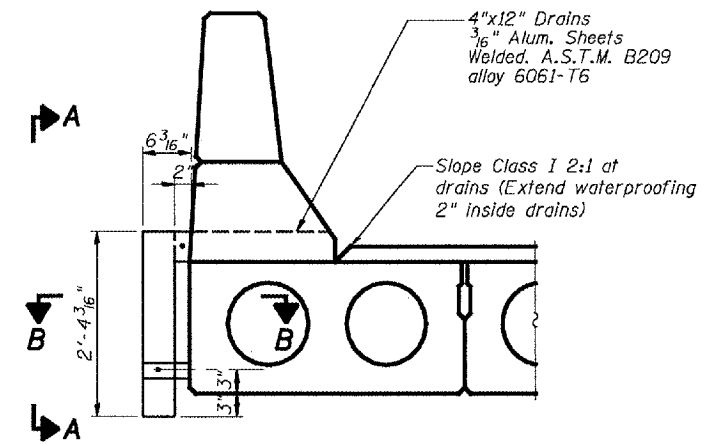


STATE OF ILLINOIS
DEPARTMENT OF TRANSPORTATION

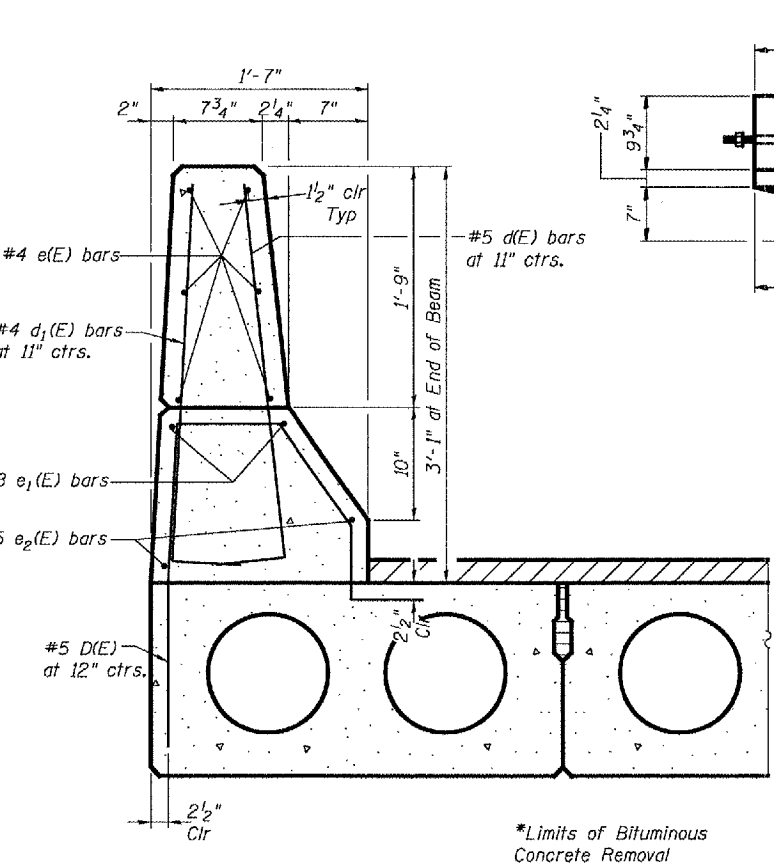
ROUTE NO.	SECTION	COUNTY	TOTAL SHEETS	SHEET NO.	SHEET NO. 3
		Will	14	12	3 SHEETS
FED. ROAD DIST. NO. 7	NUMBER	FED. AID PROJECT			62900



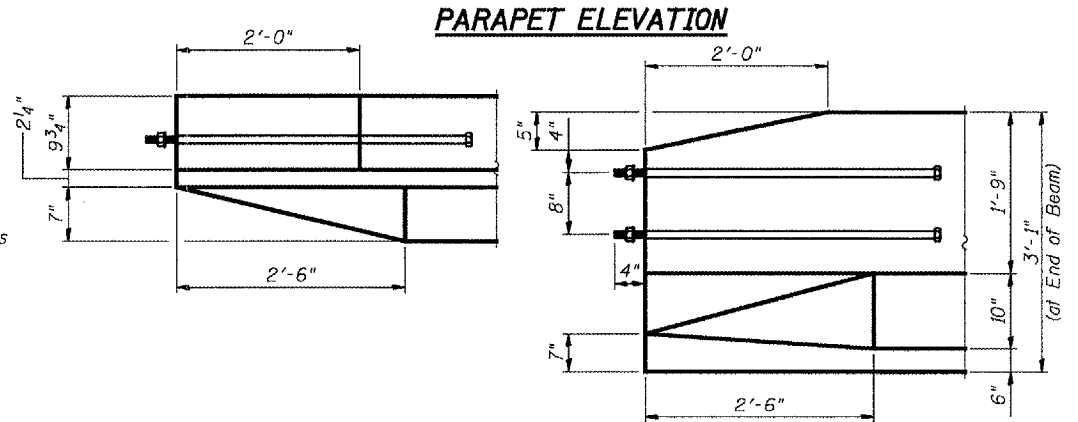
1" ANCHOR BOLT
Cost included with Concrete Superstructure



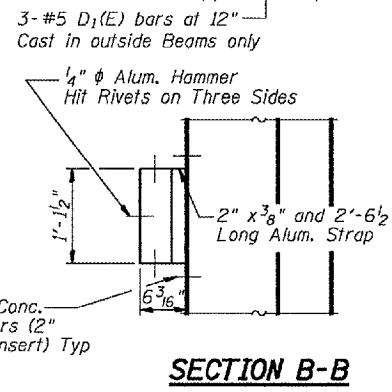
SECTION THRU PARAPET SHOWING DRAIN
Cost of aluminum drains included with Floor Drains



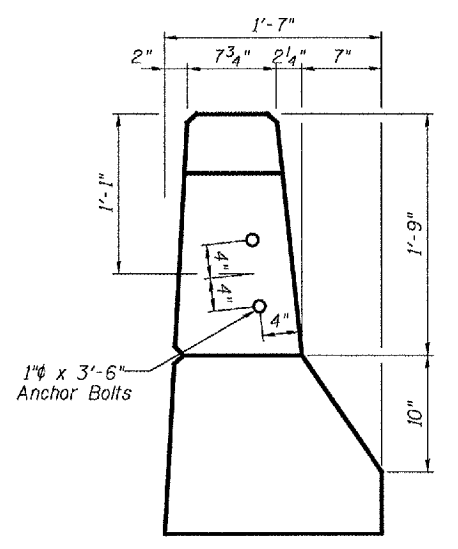
SECTION THRU PARAPET



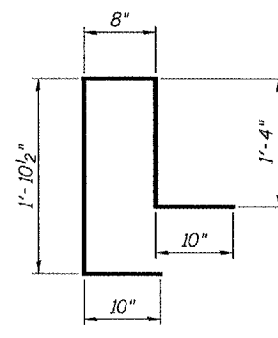
PARAPET END DETAILS



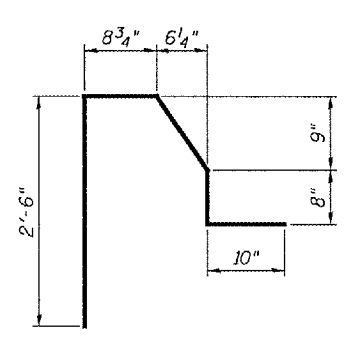
SECTION B-B



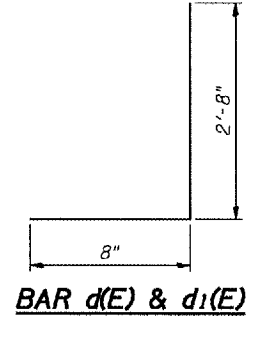
PARAPET END VIEW



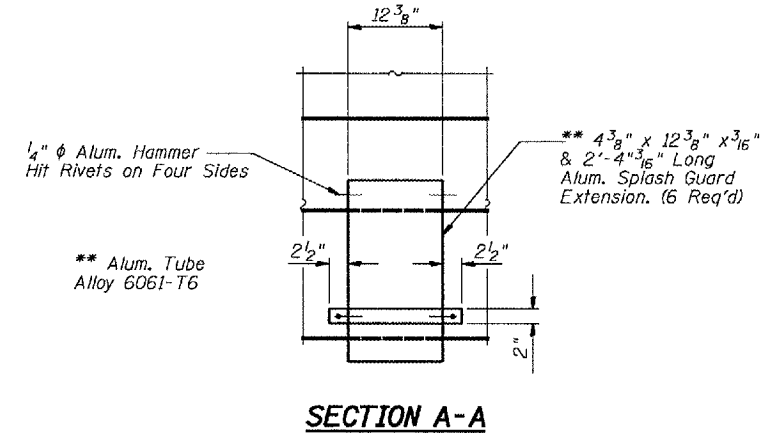
BAR d1(E)



BAR D(E)



BAR d(E) & d1(E)



SECTION A-A

BILL OF MATERIAL

Bar	No.	Size	Length	Shape
d(E)	76	#5	3'-4"	U
d1(E)	76	#4	3'-4"	U
e(E)	24	#4	19'-6"	—
e1(E)	8	#8	20'-11"	—
e2(E)	8	#5	19'-9"	—
Reinforcement Bars Epoxy Coated			Pound	1360
Concrete Superstructure Cu. Yd.				8.5
Concrete Removal Cu. Yd.				8.5

All Bars Designated (E) Shall be Epoxy Coated.

Min. Bar Laps

- #4 = 1'-8"
- #5 = 2'-2"
- #8 = 4'-6"

PARAPET DETAILS
F.A. RT. 124
WILL COUNTY
SN.099-0119

DESIGNED	V.H.V.
CHECKED	M.J.T.
DRAWN	Drew Christopher
CHECKED	V.H.V. M.J.T.

May 5, 2005
EXAMINED *John A. Morris*
ENGINEER OF STRUCTURAL SERVICES
PASSED *Ralph E. Anderson*
ENGINEER OF BRIDGES AND STRUCTURES