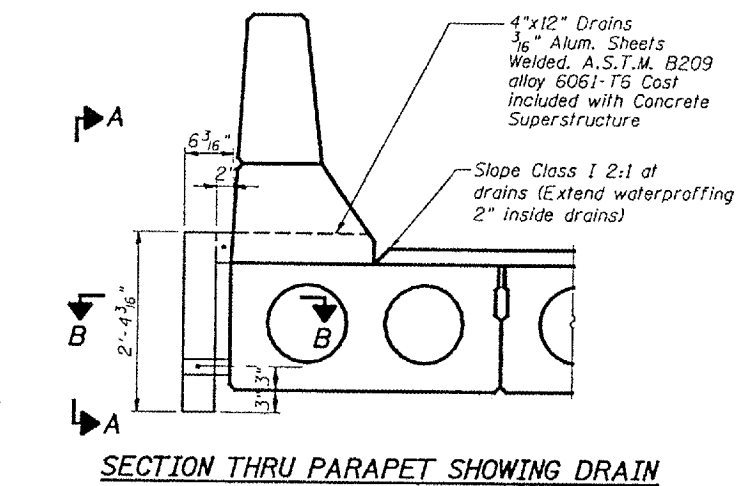
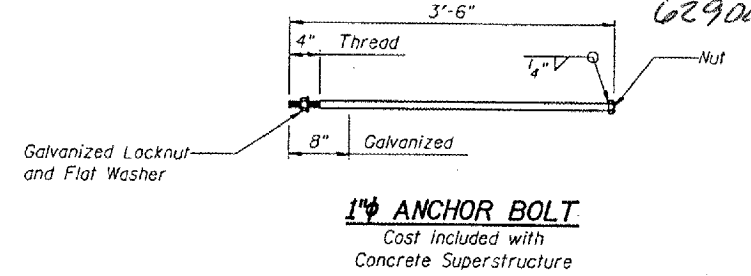
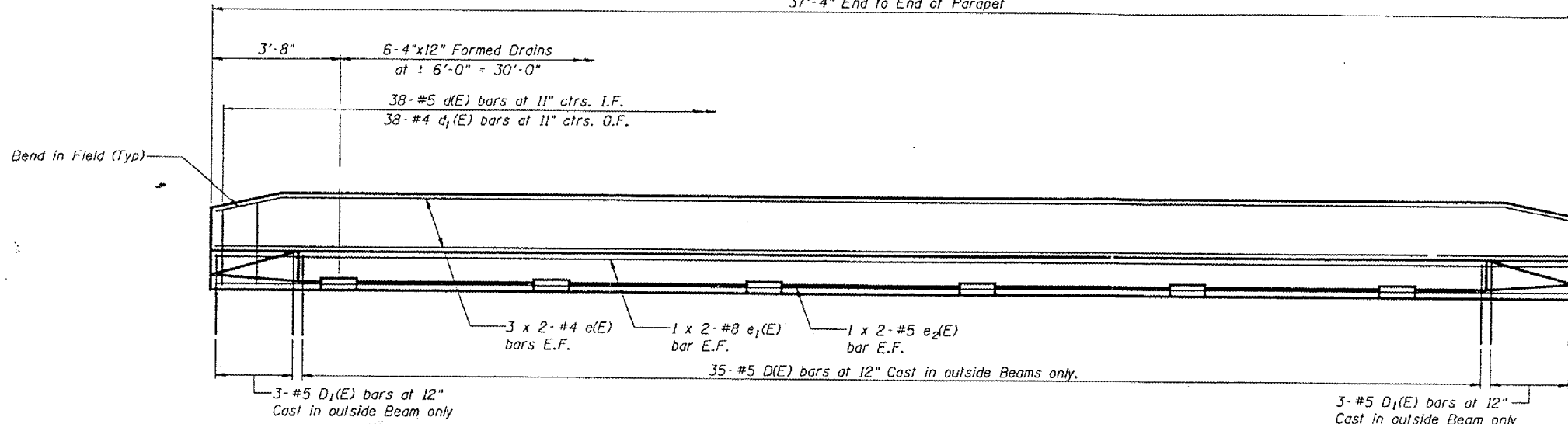


STATE OF ILLINOIS
DEPARTMENT OF TRANSPORTATION

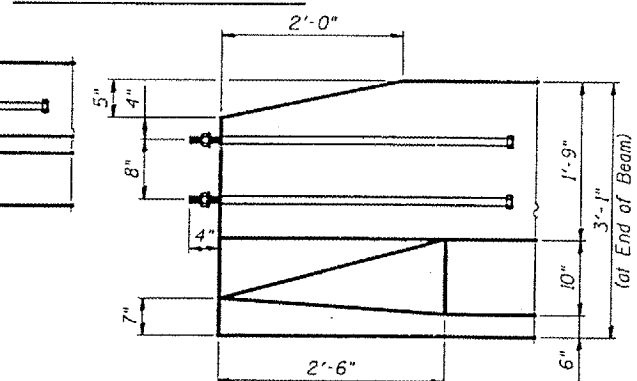
ROUTE NO.	SECTION	COUNTY	DATE	SHEET NO.
FAP 330	000-1201	WIN	14 13	3 SHEETS

62900

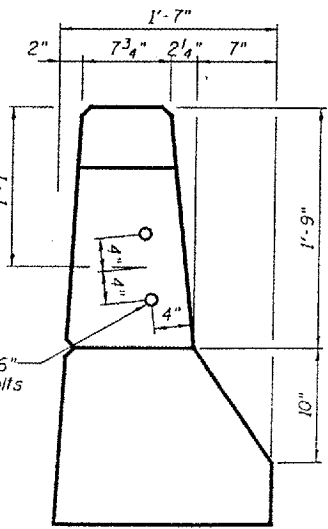
37'-4" End to End of Parapet



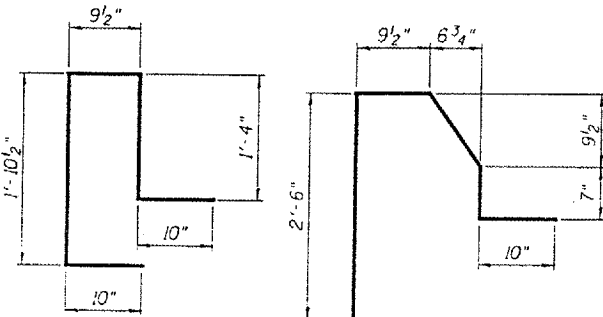
PARAPET ELEVATION



PARAPET END DETAILS

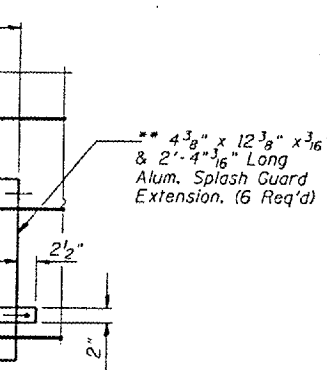


PARAPET END VIEW



BAR D1(E)

BAR D(E)



SECTION A-A

BILL OF MATERIAL

Bar	No.	Size	Length	Shape
d(E)	76	#5	3'-4"	U
d1(E)	76	#4	3'-4"	U
e(E)	24	#4	19'-6"	—
e1(E)	8	#8	20'-11"	—
e2(E)	8	#5	19'-9"	—
Reinforcement Bars Epoxy Coated			Pound	1360
Concrete Superstructure			Cu. Yd.	8.5
Concrete Removal			Cu. Yd.	8.5

All Bars Designated (E) Shall be Epoxy Coated.

Min. Bar Laps

- #4 = 1'-8"
- #5 = 2'-2"
- #8 = 4'-5"

PARAPET DETAILS

F.A. RT. 124
WILL COUNTY
SN.099-0119

DESIGNED	V.H.V.
CHECKED	M.A.C.
DRAWN	Drew Christopher
CHECKED	V.H.V. M.A.C.

FINAL DATE	SIG
EXAMINED	
PASSED	

2nd PRE-FINAL
DATE: 04/22/2004