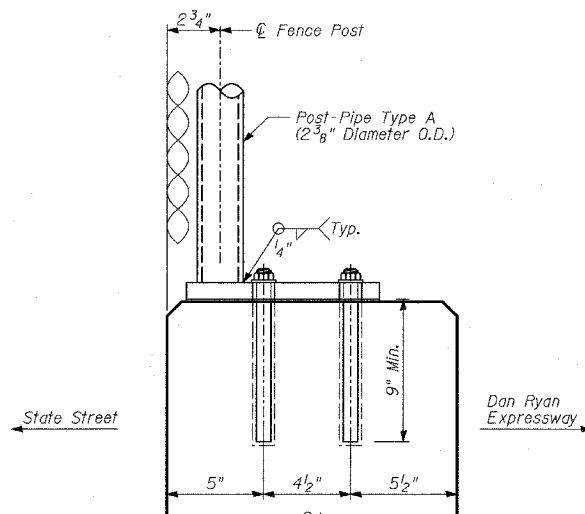
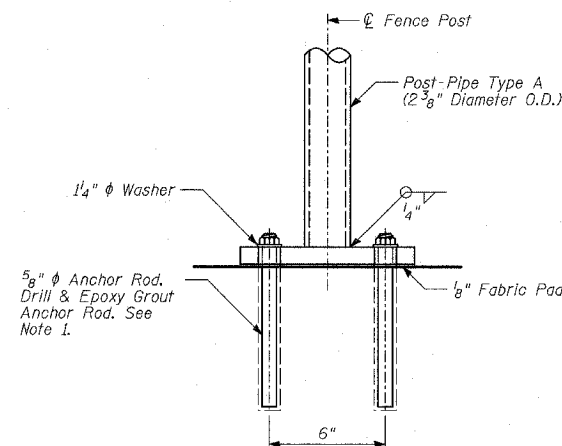


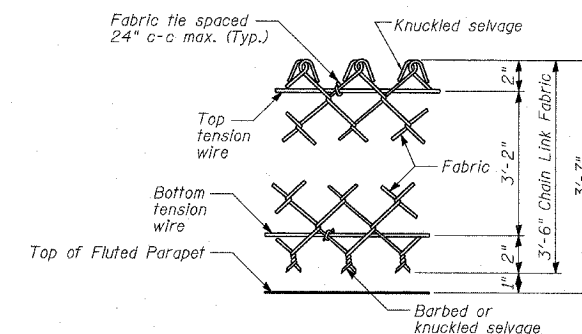
SECTION A-A



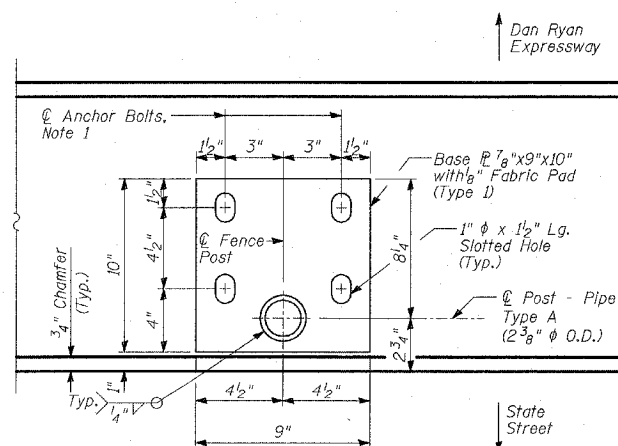
DETAIL 1



DETAIL 2



DETAIL 3



SECTION B-B
BASE PLATE PLAN

BILL OF MATERIAL

WALL	ITEM	UNIT	TOTAL
2B	Chain Link Fence, 42" Attached to Structure (Special)	FOOT	1184
AIS1	Chain Link Fence, 42" Attached to Structure (Special)	FOOT	585
70	Chain Link Fence, 42" Attached to Structure (Special)	FOOT	1134
AIS2	Chain Link Fence, 42" Attached to Structure (Special)	FOOT	420
Total			FOOT 3323

NOTES:

- The Contractor shall drill and epoxy grout 5/8" diameter anchor rods. The Contractor shall use the capsule or the adhesive cartridge type anchor rods that have been previously tested and given prior approval by the Department for the above specified anchor rod spacing. The Contractor shall install these anchor rods in pre-drilled holes according to the manufacturer's recommendations and procedures. The capsule or adhesive cartridge shall be sealed with pre-measured amounts of adhesive chemical. Anchor rod threading to be peened after nuts are installed.
- For additional chain link fence details, see Standard 664001.

REVISIONS	
NAME	DATE

ILLINOIS DEPARTMENT OF TRANSPORTATION
F.A.I. 94 (DAN RYAN EXPRESSWAY)
RETAINING WALL ALONG STATE ST.
93RD ST. TO 91ST ST.
WALLS 2B, AIS1, 70 & AIS2 - CHAIN LINK FENCE, 42" ATTACHED TO STRUCTURE (SPECIAL)
 DESIGNED BY: MI, DJR
 SCALE: N.T.S.
 DATE: APRIL 15, 2005
 DRAWN BY: DJR, MAF
 CHECKED BY: TD, MI