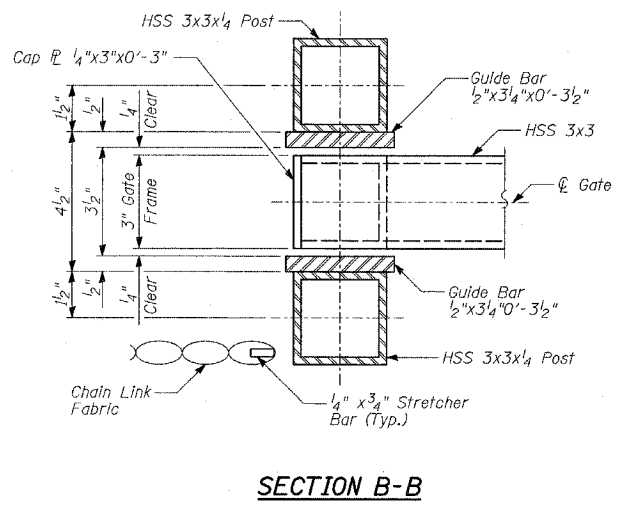
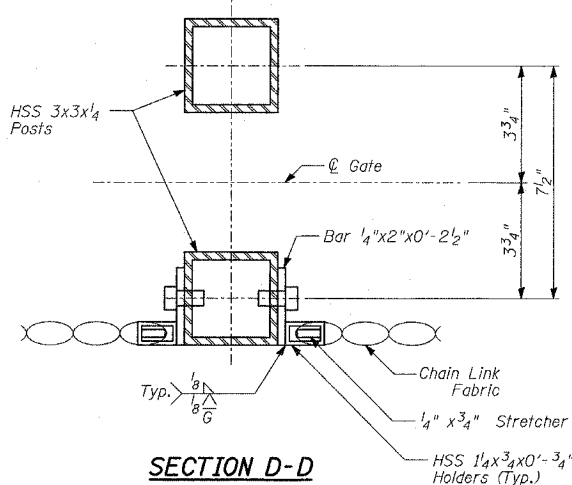


**ANCHOR ROD DETAILS**

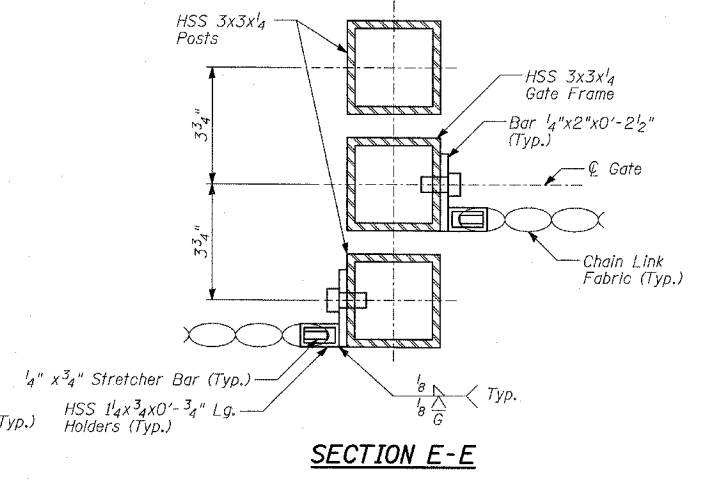
The Contractor shall drill and epoxy grout 5/8" diameter anchor rods. The Contractor shall use the capsule or the adhesive cartridge type anchor rods that have been previously tested and given prior approval by the Department for the above specified anchor rod spacing. The Contractor shall install these anchor rods in pre-drilled holes according to the manufacturer's recommendations and procedures. The capsule or adhesive cartridge shall be sealed with pre-measured amounts of adhesive chemical. Anchor rod threading to be peened after nuts are installed. See details 2 & 3 on sheet 28 of 37 for anchor rod spacing.



**SECTION B-B**



**SECTION D-D**



**SECTION E-E**

- NOTES:**
- For Notes See Sheet 28 of 37.
  - For Anchor Rod locations, see Details 1, 2 & 3 on Sheet 28 of 37.

REVISIONS	
NAME	DATE

ILLINOIS DEPARTMENT OF TRANSPORTATION  
**F.A.I. 94 (DAN RYAN EXPRESSWAY)**  
**RETAINING WALL ALONG STATE ST.**  
**ENTRANCE RAMP AT 79TH ST.**  
**WALLS AIS1, 69, 70 & AIS2**  
**GATE SECTIONS**

DESIGNED BY: MI, DJR  
 DRAWN BY: DJR  
 CHECKED BY: TD, MI

SCALE: N.T.S.  
 DATE: APRIL 15, 2005