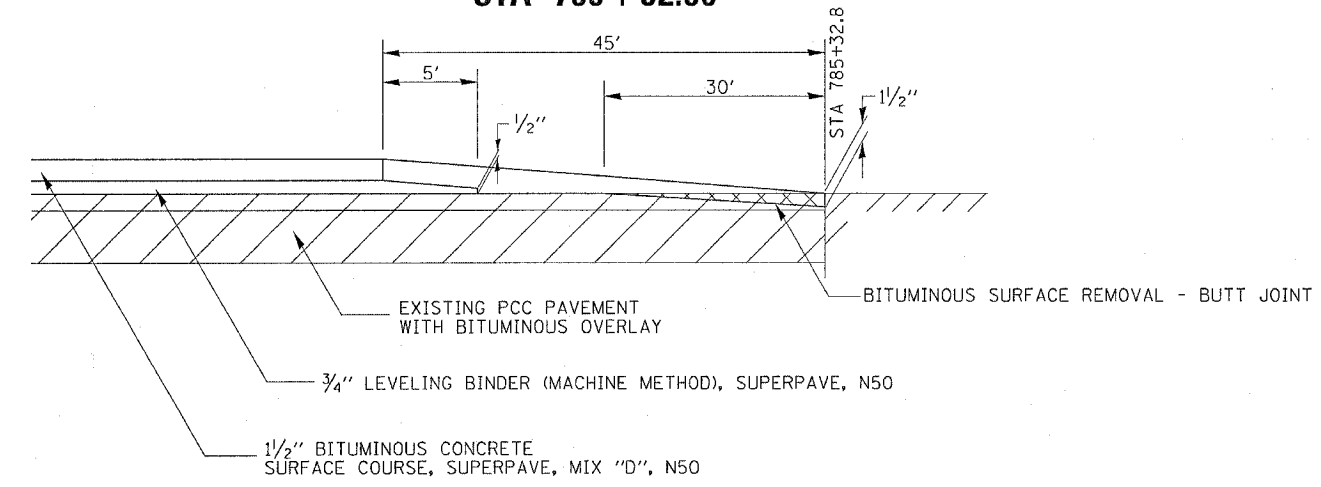


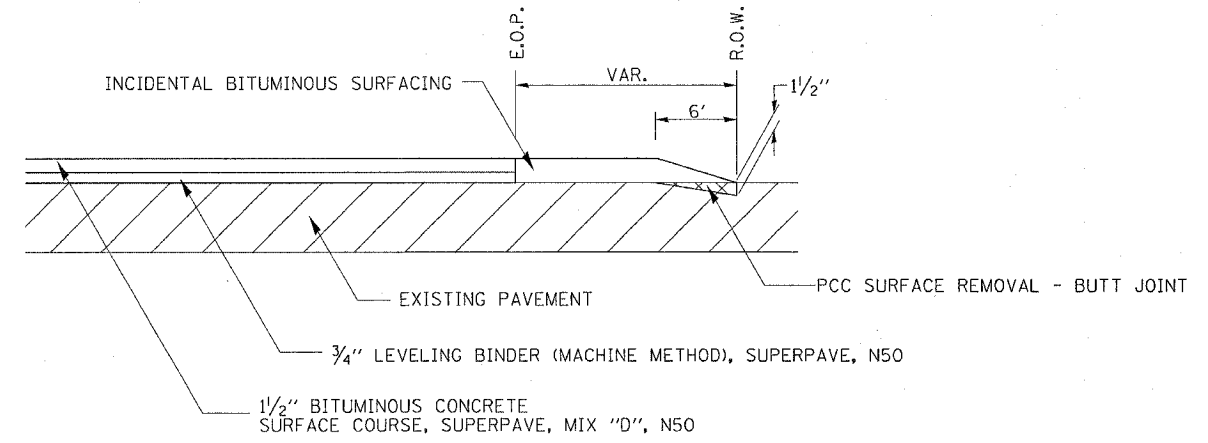
F.A.P. RTE.	SECTION	COUNTY	TOTAL SHEETS	SHEET NO.
549	116 RS-1	OGLE	593	26
STA.		TO STA.		
FED. ROAD DIST. NO.		ILLINOIS	FED. AID PROJECT	

# TYPICAL SECTIONS

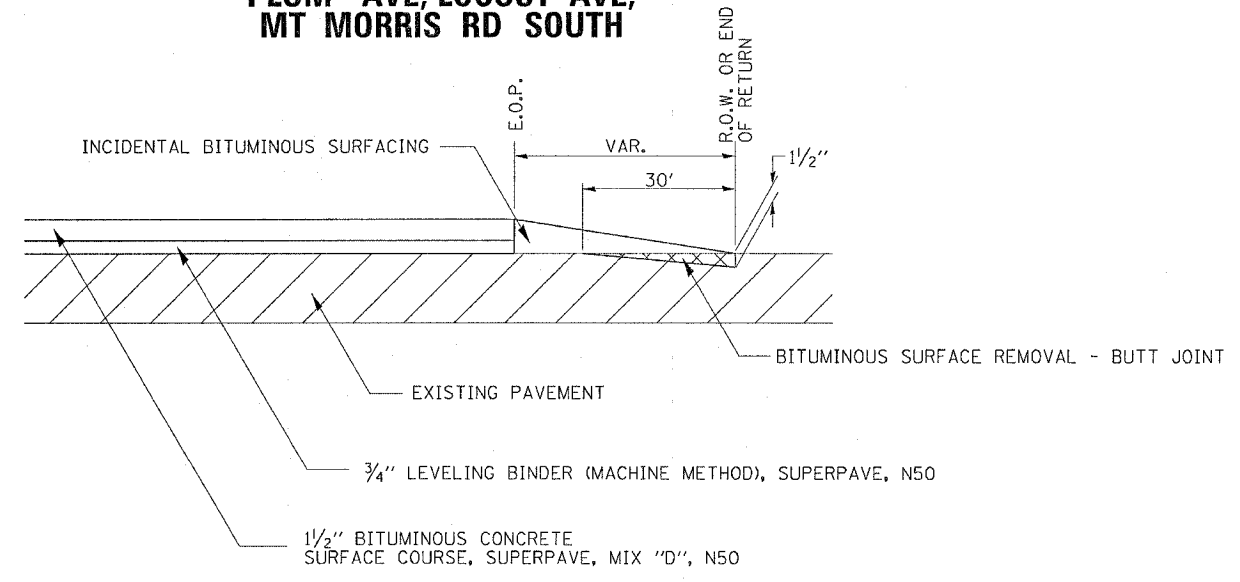
**RURAL  
BRIDGE TAPER**  
 STA 585 + 35.81  
 STA 586 + 39.18  
 STA 785 + 32.80



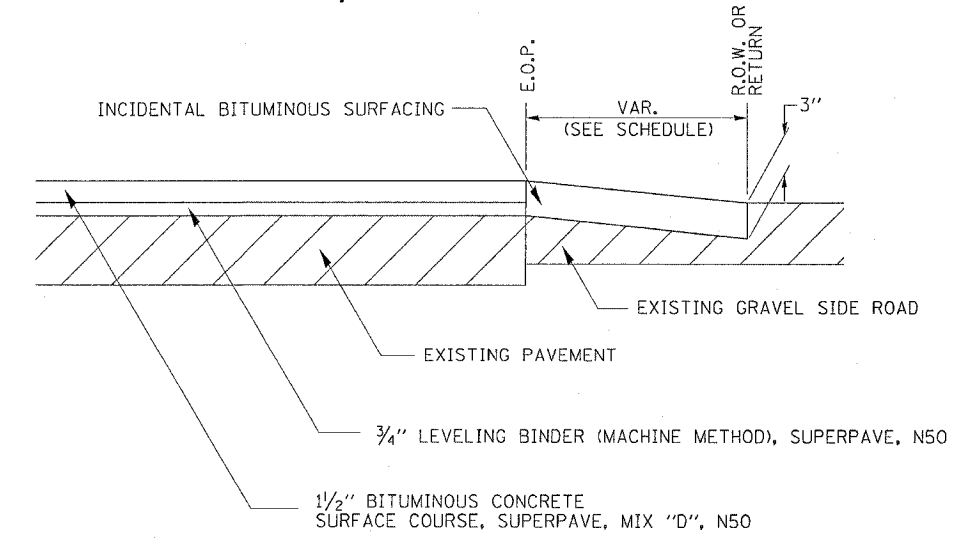
**RURAL  
PCC BUTT JOINT  
CE AND PE ENTRANCES**



**RURAL  
BITUMINOUS BUTT JOINT**  
 CHESTNUT AVE, ASH AVE NORTH,  
 COLUMBINE RD SOUTH, OAK AVE,  
 PLUM AVE, LOCUST AVE,  
 MT MORRIS RD SOUTH



**RURAL  
BITUMINOUS TAPER**  
 CHERRY RD, ADELINE RD,  
 COLUMBINE RD NORTH, MILE RD,  
 POND RD, MT MORRIS RD NORTH



**NOTE:**  
 WEIGHT OF BITUMINOUS = 112 LB/ SQ. YD./ IN.

DATE TIME  
 AREA  
 PREP  
 PLOT