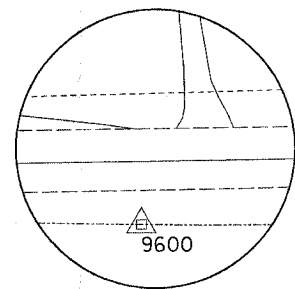
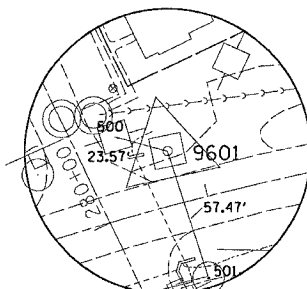


F.A.P. RY.	SECTION	COUNTY	TOTAL SHEETS	SHEET NO.
549	116 RS-1	OGLLE		31
STA.		TO STA.		
FED. ROAD DIST. NO.		ILLINOIS FED. AID PROJECT		

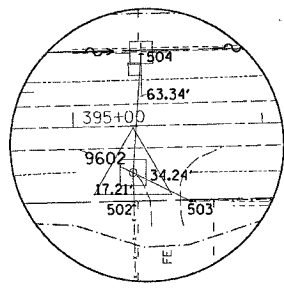
# HORIZONTAL & VERTICAL CONTROL



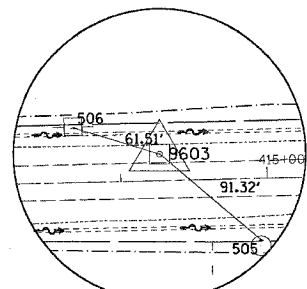
HORIZONTAL CONTROL POINT No. 9600



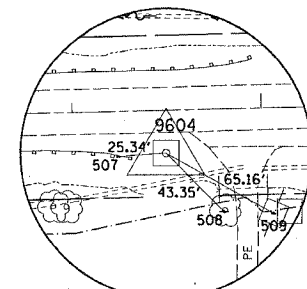
HORIZONTAL CONTROL POINT No. 9601



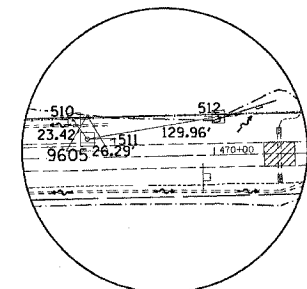
HORIZONTAL CONTROL POINT No. 9602



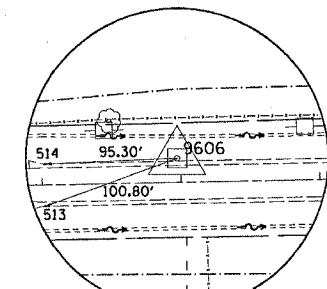
HORIZONTAL CONTROL POINT No. 9603



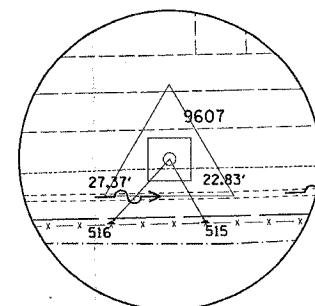
HORIZONTAL CONTROL POINT No. 9604



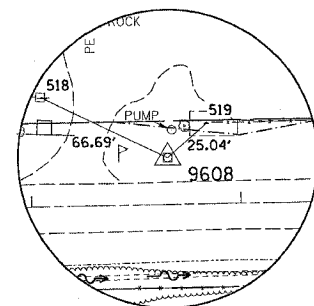
HORIZONTAL CONTROL POINT No. 9605



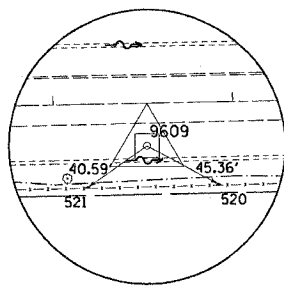
HORIZONTAL CONTROL POINT No. 9606



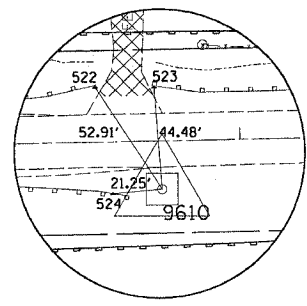
HORIZONTAL CONTROL POINT No. 9607



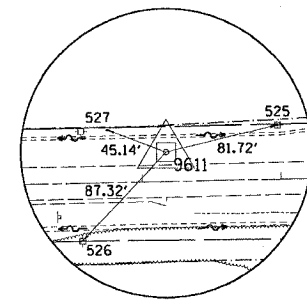
HORIZONTAL CONTROL POINT No. 9608



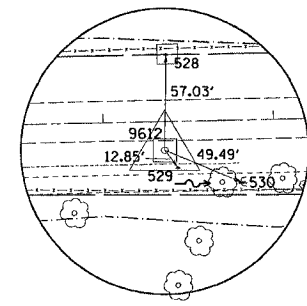
HORIZONTAL CONTROL POINT No. 9609



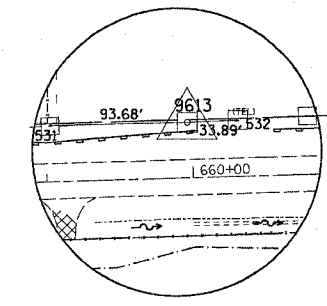
HORIZONTAL CONTROL POINT No. 9610



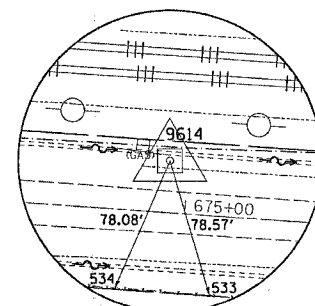
HORIZONTAL CONTROL POINT No. 9611



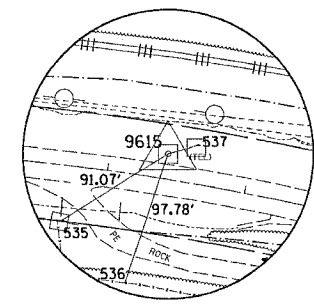
HORIZONTAL CONTROL POINT No. 9612



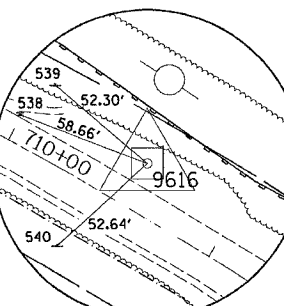
HORIZONTAL CONTROL POINT No. 9613



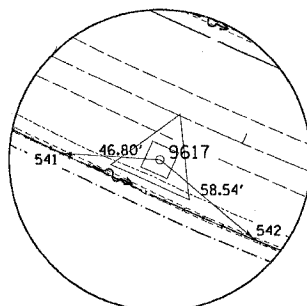
HORIZONTAL CONTROL POINT No. 9614



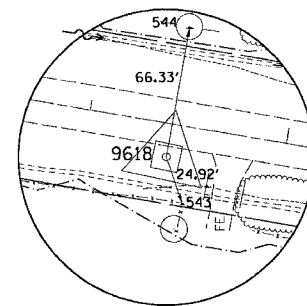
HORIZONTAL CONTROL POINT No. 9615



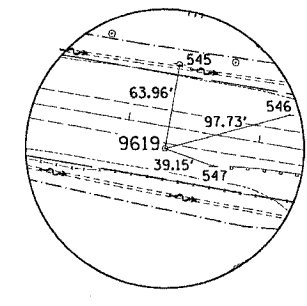
HORIZONTAL CONTROL POINT No. 9616



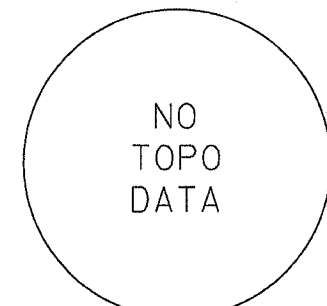
HORIZONTAL CONTROL POINT No. 9617



HORIZONTAL CONTROL POINT No. 9618



HORIZONTAL CONTROL POINT No. 9619



HORIZONTAL CONTROL POINT No. 9620

\*DATE-TIME\*  
 \*\*PROJECT\*\*  
 \*\*\*REF#1\*\*\*  
 \*\*\*\*REF#2\*\*\*\*  
 \*\*\*\*\*REF#3\*\*\*\*\*  
 \*\*\*\*\*REF#4\*\*\*\*\*  
 \*\*\*\*\*REF#5\*\*\*\*\*  
 \*\*\*\*\*REF#6\*\*\*\*\*