

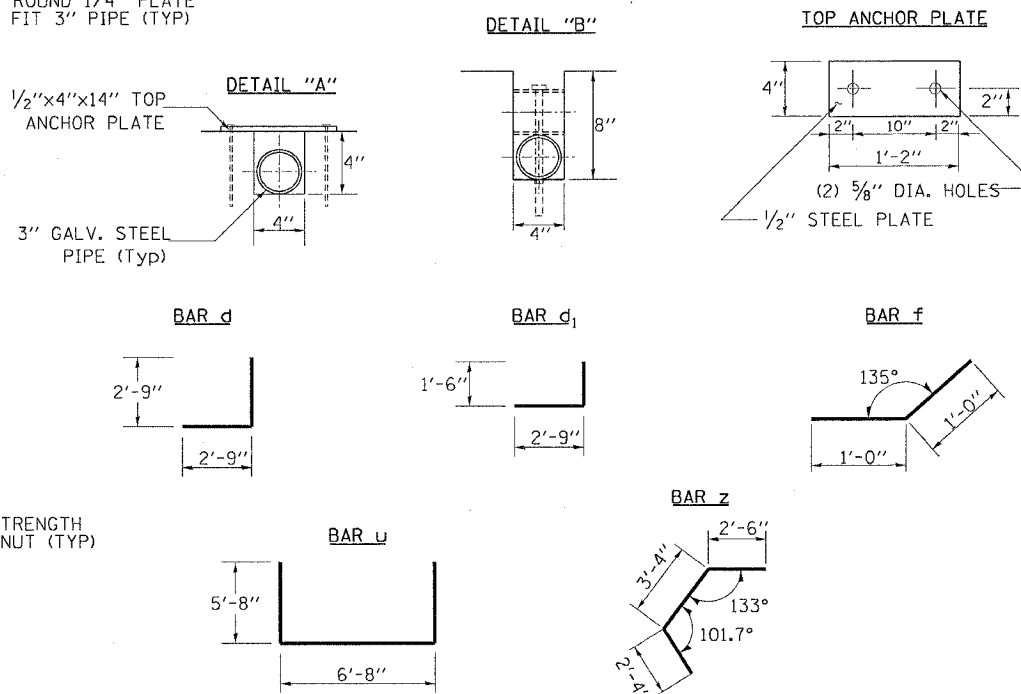
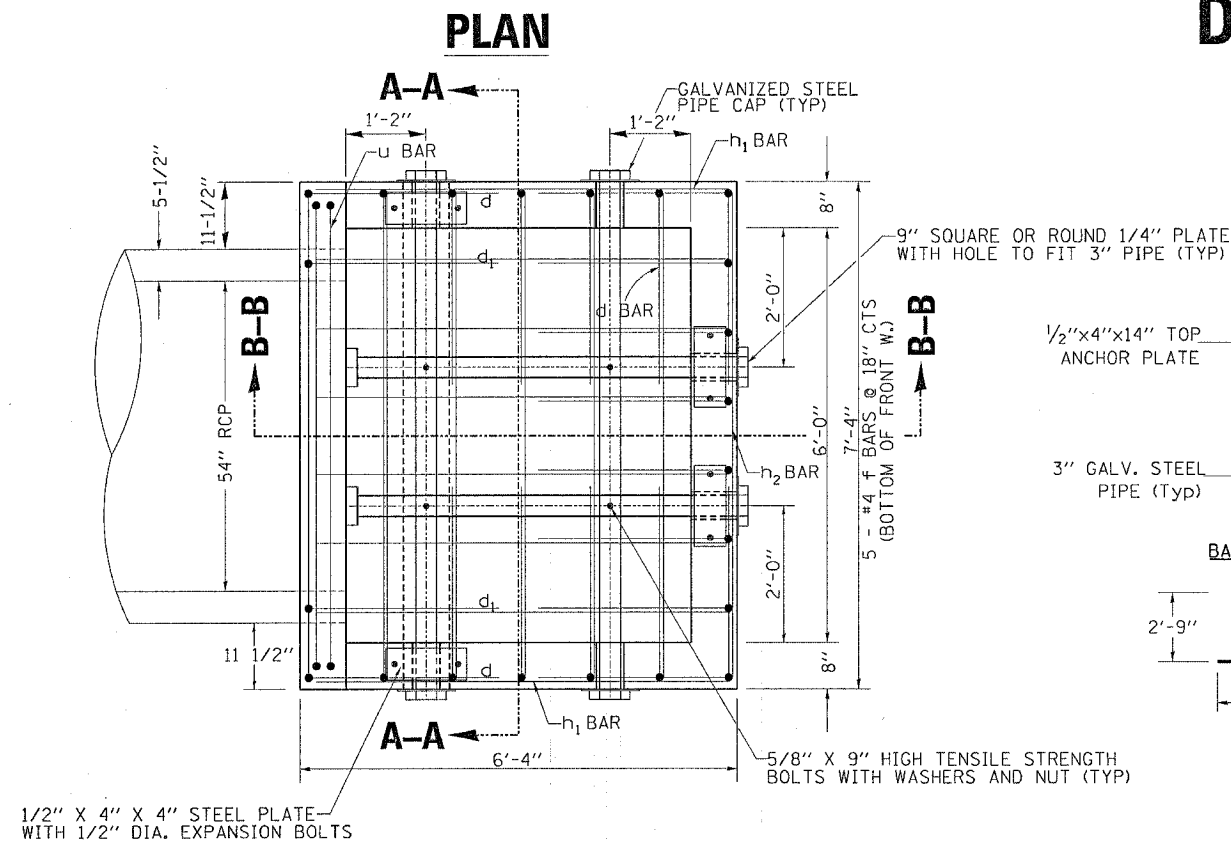
F.A.P. RTE.	SECTION	COUNTY	TOTAL SHEETS	SHEET NO.
549	116RS-1	OGLE	593	193
STA.		TO STA.		
FED. ROAD DIST. NO.		ILLINOIS	FED. AID PROJECT	
CONTRACT NO. 64178				

DROP BOX NO. 1

STA 496 + 41

40.4' RT

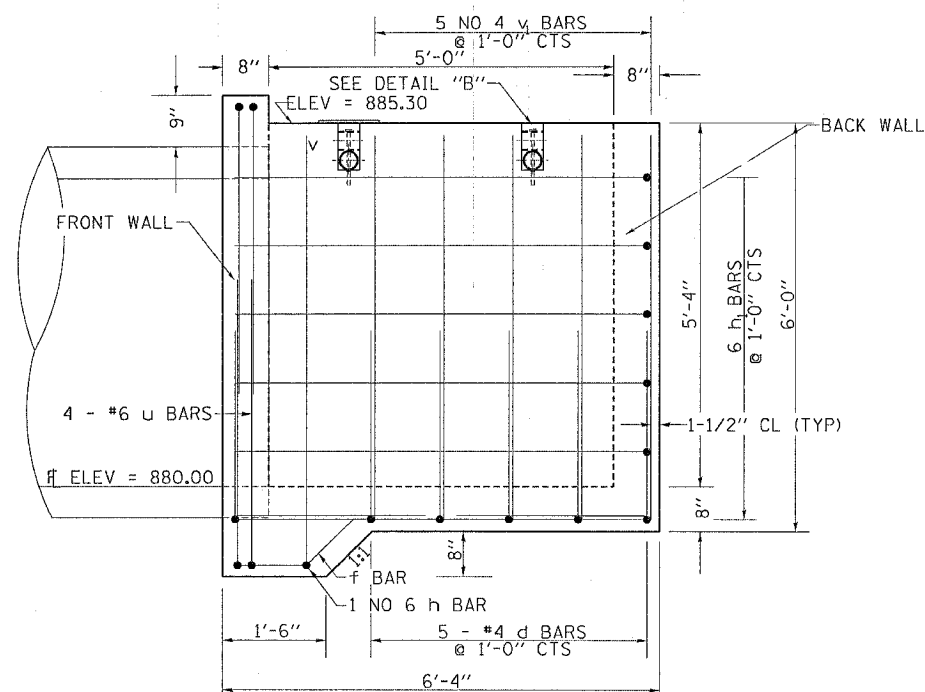
BILL OF MATERIAL



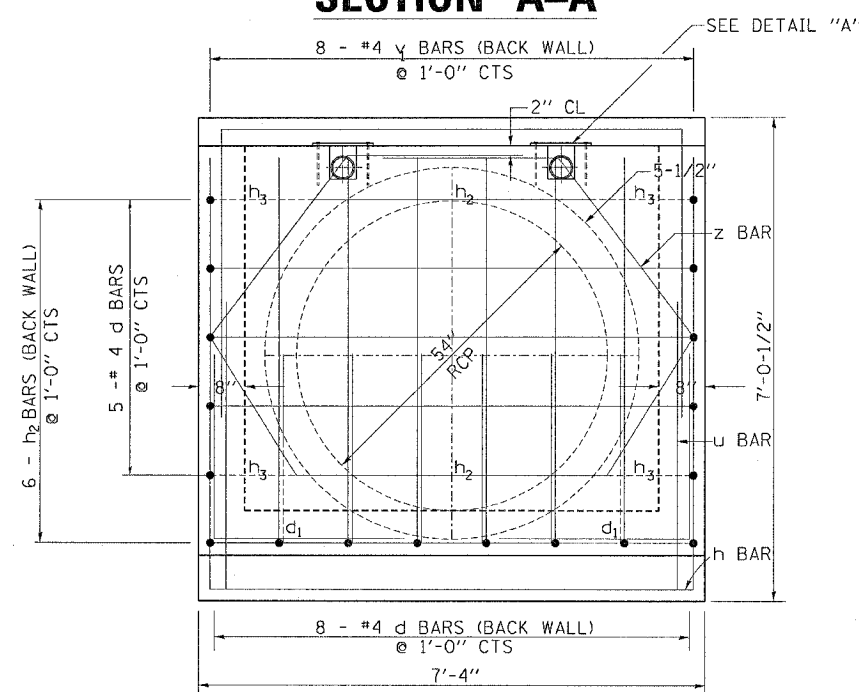
BAR	SIZE	NO.	LENGTH	WEIGHT (LB)
d	4	30	5'-6"	110.22
d ₁	4	2	4'-3"	5.68
f	4	5	2'-0"	6.68
h	6	1	7'-0"	10.51
h ₁	4	14	6'-0"	56.11
h ₂	4	7	7'-0"	32.73
h ₃	4	4	7'-0"	18.70
u	6	2	18'-0"	54.07
v	4	2	6'-5"	8.57
v ₁	4	18	5'-8"	68.14
z	4	2	8'-2"	10.92
DESCRIPTION			UNIT	QTY
CLASS "SI" CONCRETE			CU YD	4.7
REINFORCEMENT BARS			LB	382.33

DESCRIPTION	UNIT	QTY.
3" GALVANIZED STEEL PIPE	2@	7'-8"
EXPANSION BOLTS 1/2"	2@	6'-0"
3" GALVANIZED PIPE CAPS	EACH	4
1/4" GALVANIZED STEEL PLATE (9" NOMINAL)	EACH	4
1/2"x4"x14" GALVANIZED STEEL PLATE	EACH	4
5/8"x9" GALVANIZED STEEL BOLTS	EACH	4

SECTION B-B



SECTION A-A



GENERAL NOTES

This work shall be done according to the applicable portion of 503, 508, and 542 of the Standard Specifications.

Class "SI" Concrete shall be used. Exposed edges shall be beveled 3/4".

The contract unit price "each" for DROP BOX NO. 1 shall include the Expansion Bolts, Galvanized Pipe, Class "SI" Concrete, Reinforcement Bars, Bolts, Nuts, Washers, Steel Plates, earth excavation where required, and necessary grading to fit the inlet as shown in the cross sections or to the slope.

Reinforcement bars shall conform to the requirements of AASHTO M-31 or M-53, Grade 60.

STEEL PLATES SHALL CONFORM TO AASHTO M-183 AND SHALL BE GALVANIZED CONFORMING TO AASHTO M-111.

Contractor shall field verify pipe dimensions prior to ordering.

Bolts, Nuts, and Washers shall be in accordance with Article 710.11 of the Standard Specification and shall be galvanized.

Order 3 h₃ bars and 4 v₂ bars full length for the front wall and cut to fit in the field.

DROP BOX NO. 1
STATION 496 + 41

DROP BOX NO. 1