

F.A.P. RTE.	SECTION	COUNTY	TOTAL SHEETS	SHEET NO.
549	116RS-1	OGL	593	196
STA.	TO STA.			
FED. ROAD DIST. NO.	ILLINOIS	FED. AID PROJECT		
CONTRACT NO. 64178				

DROP BOX NO. 4

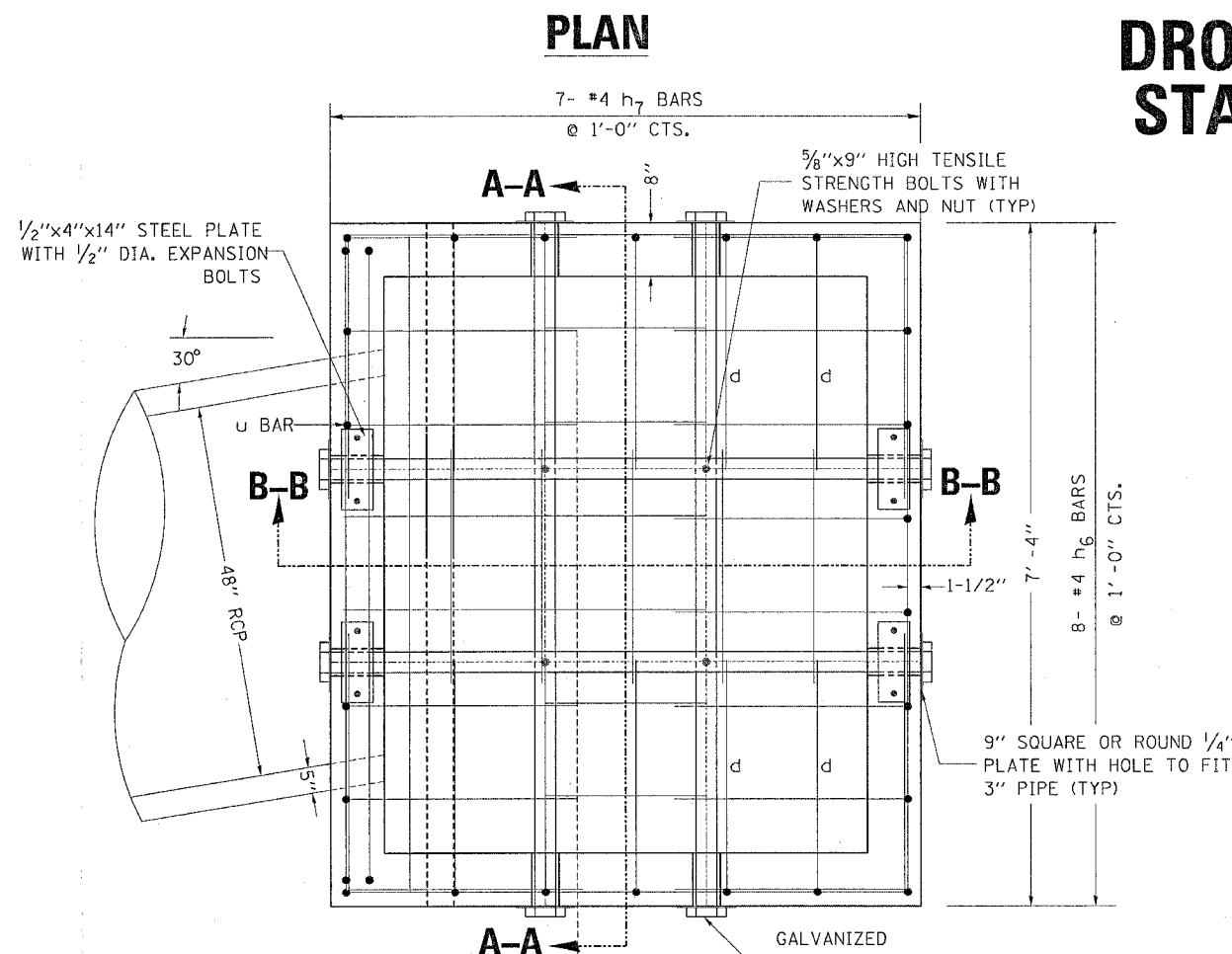
STA 530 + 06.47

33.95' RT

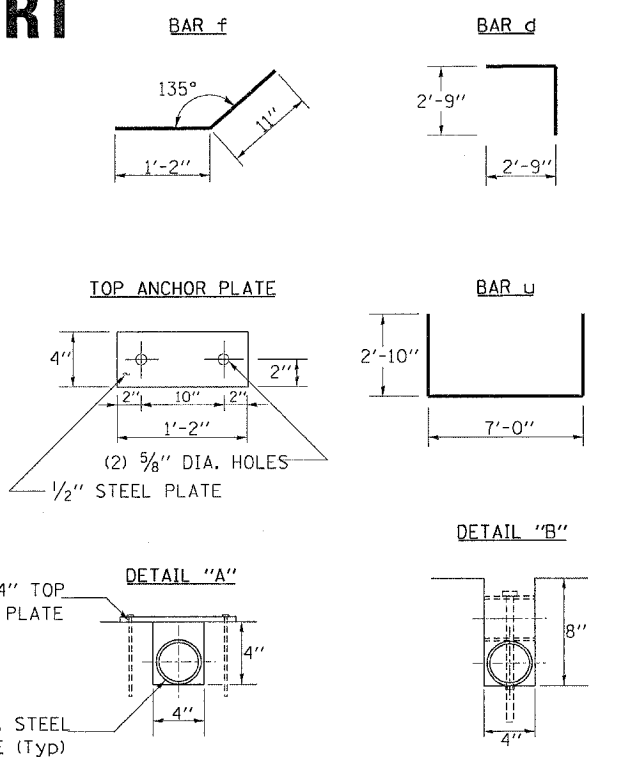
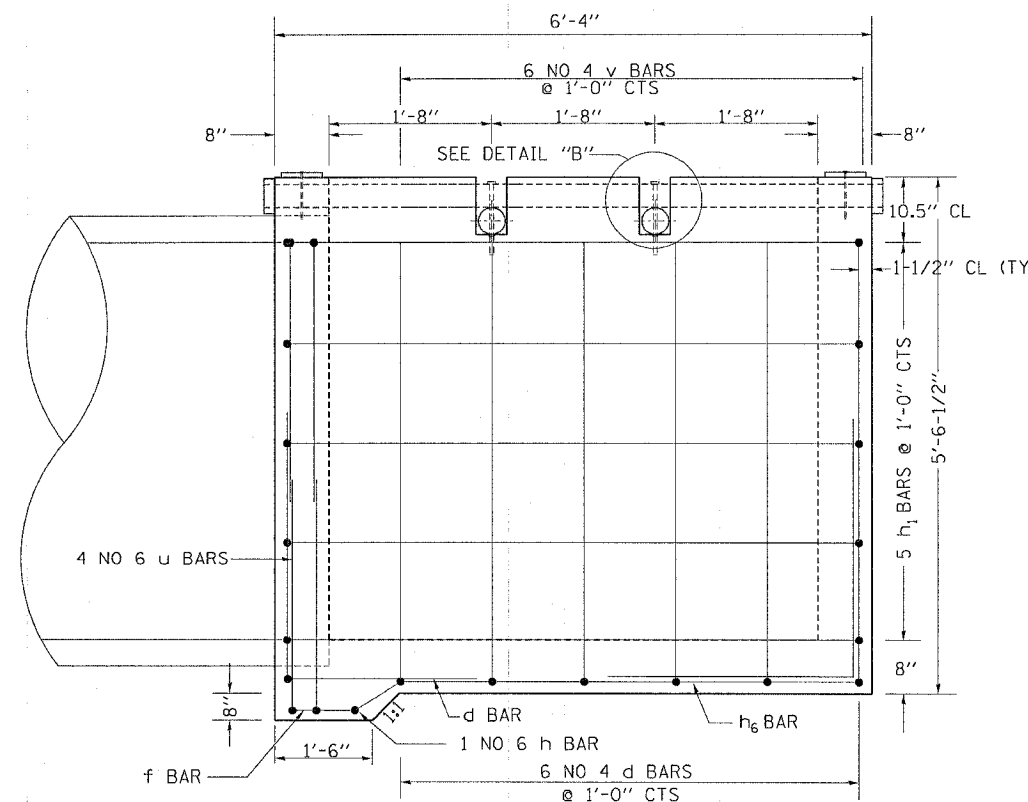
BILL OF MATERIAL

BAR	SIZE	NO.	LENGTH	BAR SHAPE
d	4	34	5'-6"	
f	4	3	2'-1"	
h	6	1	7'-0"	
h1	4	10	6'-1"	
h2	4	5	7'-1"	
h3	4	4	2'-7"	
h4	4	4	1'-7"	
h5	4	2	1'-4"	
h6	4	8	6'-11"	
h7	4	7	7'-1"	
u	6	4	9'-10"	
v	4	20	4'-6"	

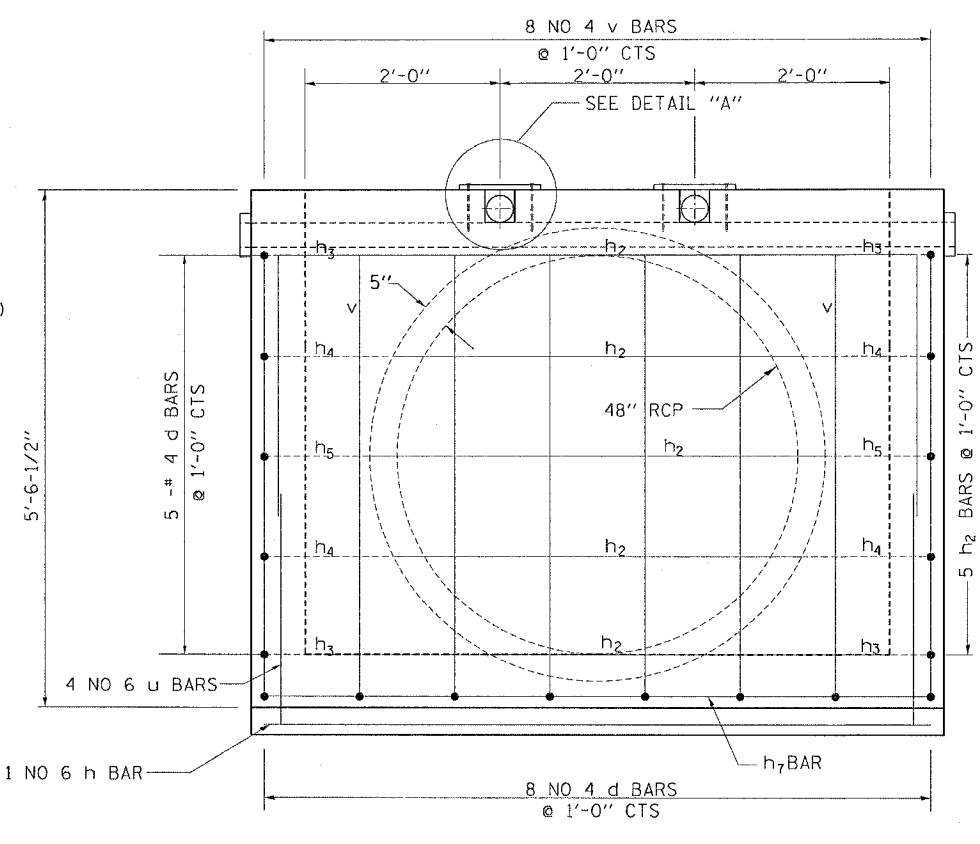
DESCRIPTION	UNIT	QTY
CLASS "SI" CONCRETE	CU YD	4.0
REINFORCEMENT BARS	LB	401.64
EXPANSION BOLTS 1/2"	EACH	8
5/8" X 9" GALV. STEEL BOLTS	EACH	4
3" GALV. STEEL PIPE	ø2	7'-8"
	ø2	6'-8"
3" GALV. PIPE CAPS	EACH	8
1/2" X 4" X 14" GALV. PLATE	EACH	4
1/4" GALV STEEL PLATE (9" NOMINAL)	EACH	4



SECTION B-B



SECTION A-A



GENERAL NOTES

This work shall be done according to the applicable portion of 503, 508, and 542 of the Standard Specifications.

Class "SI" Concrete shall be used. Exposed edges shall be beveled 3/4".

The contract unit price "each" for DROP BOX NO. 4 shall include the Expansion Bolts, Galvanized Pipe, Class "SI" Concrete, Reinforcement Bars, Bolts, Nuts, Washers, Steel Plates, earth excavation where required, and necessary grading to fit the inlet as shown in the cross sections or to the slope.

Reinforcement bars shall conform to the requirements of AASHTO M-31 or M-53, Grade 60.

STEEL PLATES SHALL CONFORM TO AASHTO M-183 AND SHALL BE GALVANIZED CONFORMING TO AASHTO M-111.

Bolts, Nuts, and Washers shall be in accordance with Article 710.11 of the Standard Specification and shall be galvanized.

Contractor shall field verify Galvanized pipe length.

DROP BOX NO. 4
STA 530 + 06.47