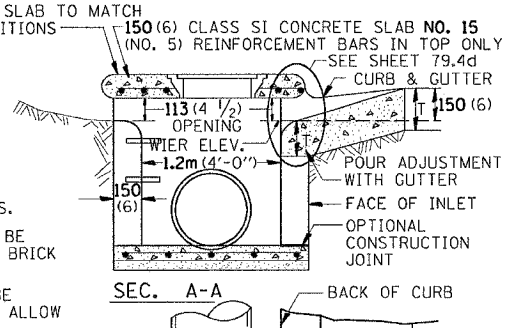
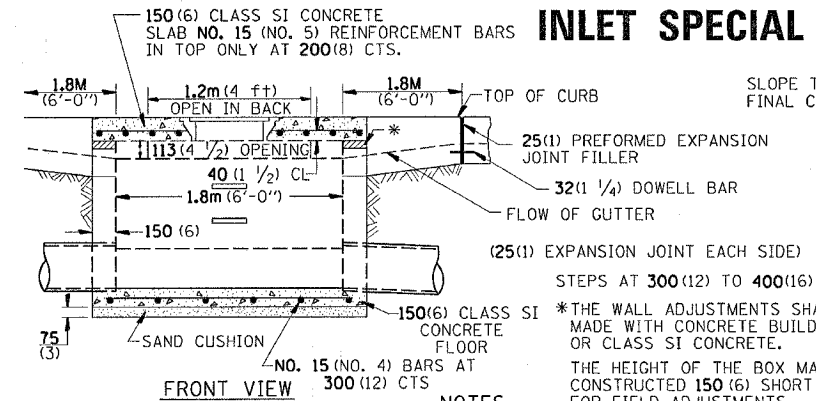


F.A.P. RTE.	SECTION	COUNTY	TOTAL SHEETS	SHEET NO.
549	116RS-1	OGLE	593	241
STA.		TO STA.		
FED. ROAD DIST. NO.		ILLINOIS FED. AID PROJECT		

### INLET SPECIAL NO. 4



**FRONT VIEW**  
150(6) CLASS SI CONCRETE SLAB NO. 15 (NO. 5) REINFORCEMENT BARS IN TOP ONLY AT 200(8) CTS.  
1.8m (6'-0") OPEN IN BACK  
1.2m (4'-0") OPENING  
40(1 1/2) CL  
1.8m (6'-0")  
TOP OF CURB  
25(1) PREFORMED EXPANSION JOINT FILLER  
32(1 1/4) DOWELL BAR  
FLOW OF GUTTER  
150(6)  
75(3) SAND CUSHION  
NO. 15 (NO. 4) BARS AT 300(12) CTS

**NOTES**  
SLOPE TOP SLAB TO MATCH FINAL CONDITIONS  
150(6) CLASS SI CONCRETE SLAB NO. 15 (NO. 5) REINFORCEMENT BARS IN TOP ONLY SEE SHEET 79.4d CURB & GUTTER  
113(4 1/2) OPENING  
40(1 1/2) CL  
1.2m (4'-0")  
WIER ELEV.  
150(6)  
POUR ADJUSTMENT WITH GUTTER  
FACE OF INLET  
OPTIONAL CONSTRUCTION JOINT  
150(6)  
BACK OF CURB  
75(3)  
GUTTER LINE  
EDGE OF PAVEMENT  
**TOP VIEW**  
ALL DIMENSIONS ARE IN MILLIMETERS (INCHES) UNLESS OTHERWISE NOTED.

STEPS AT 300(12) TO 400(16) CTS.  
\*THE WALL ADJUSTMENTS SHALL BE MADE WITH CONCRETE BUILDING BRICK OR CLASS SI CONCRETE.  
THE HEIGHT OF THE BOX MAY BE CONSTRUCTED 150(6) SHORT TO ALLOW FOR FIELD ADJUSTMENTS.

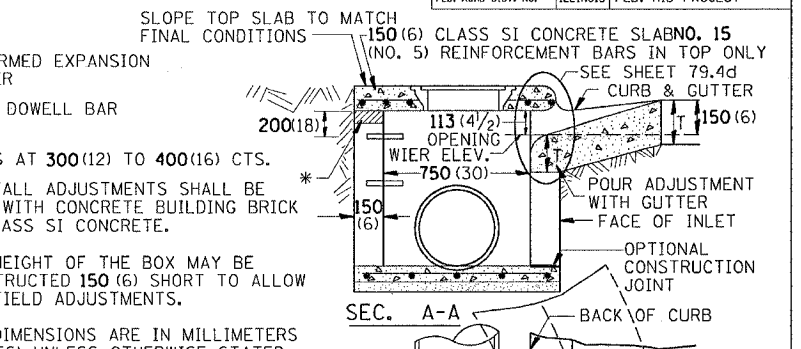
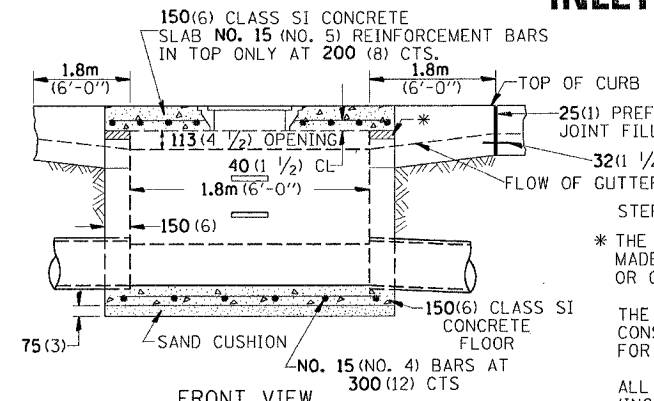
SEE STANDARD 602701 FOR DETAILS OF STEPS.  
25(1) PREFORMED EXPANSION JOINTS AS SHOWN SHALL BE PROVIDED ON EACH SIDE OF INLET.  
CLASS SI CONCRETE OR PRECAST CONCRETE SHALL BE USED THROUGHOUT.  
THE SIDE WALLS MAY BE BUILT AS PRECAST SEGMENTAL SECTIONS.  
STEPS SHALL BE OMITTED WHEN DEPTH OF INLET IS LESS THAN 1.5 m (5 FT.).

**LIGHT WEIGHT MANHOLE CASTING**  
762(30)  
610(24)  
19(3/4)  
559(22)  
603(23 3/4)  
89(3 1/2)  
TOTAL WEIGHT 73 Kg. (160 LBS.)

THE INLET SHALL BE CAST IN PLACE OR PRECAST.  
EXCEPT AS NOTED HEREON INLET SPECIAL NO. 4 SHALL BE CONSTRUCTED IN ACCORDANCE WITH SECTION 602 OF THE STANDARD SPECIFICATIONS.  
THE CONTRACT UNIT PRICE EACH FOR INLET SPECIAL NO. 4 SHALL INCLUDE THE COST OF FURNISHING AND INSTALLING THE FRAME, LID, REINFORCEMENT BARS, FLOOR AND TOP SLABS, CAST IRON STEPS (IF USED).  
THE CURB AND GUTTER WILL BE PAID FOR SEPARATELY AND WILL BE MEASURED THROUGH THE INLET.  
THE CURB AND GUTTER ADJACENT TO AND 1.8m (6 FT) ON EITHER SIDE OF THE INLET SHALL BE CONSTRUCTED AS SHOWN WITH NO ADDITIONAL COMPENSATION FOR THE TRANSITION.

REVISED 11-10-94 79.4a

### INLET SPECIAL NO. 5



**FRONT VIEW**  
150(6) CLASS SI CONCRETE SLAB NO. 15 (NO. 5) REINFORCEMENT BARS IN TOP ONLY AT 200(8) CTS.  
1.8m (6'-0")  
1.13(4 1/2) OPENING  
40(1 1/2) CL  
1.8m (6'-0")  
TOP OF CURB  
25(1) PREFORMED EXPANSION JOINT FILLER  
32(1 1/4) DOWELL BAR  
FLOW OF GUTTER  
150(6)  
75(3) SAND CUSHION  
NO. 15 (NO. 4) BARS AT 300(12) CTS

**NOTES**  
SLOPE TOP SLAB TO MATCH FINAL CONDITIONS  
150(6) CLASS SI CONCRETE SLAB NO. 15 (NO. 5) REINFORCEMENT BARS IN TOP ONLY SEE SHEET 79.4d CURB & GUTTER  
113(4 1/2) OPENING  
40(1 1/2) CL  
1.2m (4'-0")  
WIER ELEV.  
150(6)  
POUR ADJUSTMENT WITH GUTTER  
FACE OF INLET  
OPTIONAL CONSTRUCTION JOINT  
150(6)  
BACK OF CURB  
75(3)  
GUTTER LINE  
EDGE OF PAVEMENT  
**TOP VIEW**  
ALL DIMENSIONS ARE IN MILLIMETERS (INCHES) UNLESS OTHERWISE NOTED.

STEPS AT 300(12) TO 400(16) CTS.  
\*THE WALL ADJUSTMENTS SHALL BE MADE WITH CONCRETE BUILDING BRICK OR CLASS SI CONCRETE.  
THE HEIGHT OF THE BOX MAY BE CONSTRUCTED 150(6) SHORT TO ALLOW FOR FIELD ADJUSTMENTS.

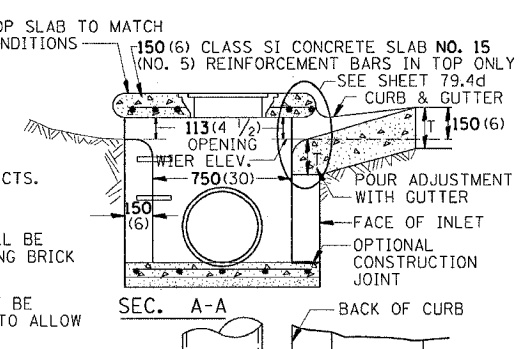
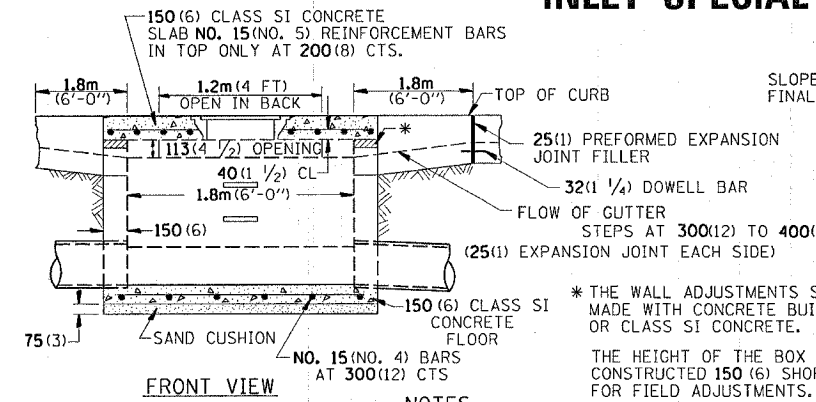
SEE STANDARD 602701 FOR DETAILS OF STEPS.  
25(1) PREFORMED EXPANSION JOINTS AS SHOWN SHALL BE PROVIDED ON EACH SIDE OF INLET.  
CLASS SI CONCRETE OR PRECAST CONCRETE SHALL BE USED THROUGHOUT.  
THE SIDE WALLS MAY BE BUILT AS PRECAST SEGMENTAL SECTIONS.  
STEPS SHALL BE OMITTED WHEN DEPTH OF INLET IS LESS THAN 1.5 m (5 FT.).

**LIGHT WEIGHT MANHOLE CASTING**  
762(30)  
610(24)  
19(3/4)  
559(22)  
603(23 3/4)  
89(3 1/2)  
TOTAL WEIGHT 73Kg. (160 LBS.)

THE INLET SHALL BE CAST IN PLACE OR PRECAST.  
EXCEPT AS NOTED HEREON INLET SPECIAL NO. 5 SHALL BE CONSTRUCTED IN ACCORDANCE WITH SECTION 602 OF THE STANDARD SPECIFICATIONS.  
THE CONTRACT UNIT PRICE EACH FOR INLET SPECIAL NO. 5 SHALL INCLUDE THE COST OF FURNISHING AND INSTALLING THE FRAME, LID, REINFORCEMENT BARS, FLOOR AND TOP SLABS, CAST IRON STEPS (IF USED).  
THE CURB AND GUTTER WILL BE PAID FOR SEPARATELY AND WILL BE MEASURED THROUGH THE INLET.  
THE CURB AND GUTTER ADJACENT TO AND 1.8m (6 FT) ON EITHER SIDE OF THE INLET SHALL BE CONSTRUCTED AS SHOWN WITH NO ADDITIONAL COMPENSATION FOR THE TRANSITION.

REVISED 11-10-94 79.4b

### INLET SPECIAL NO. 6



**FRONT VIEW**  
150(6) CLASS SI CONCRETE SLAB NO. 15 (NO. 5) REINFORCEMENT BARS IN TOP ONLY AT 200(8) CTS.  
1.8m (6'-0") OPEN IN BACK  
1.2m (4'-0") OPENING  
40(1 1/2) CL  
1.8m (6'-0")  
TOP OF CURB  
25(1) PREFORMED EXPANSION JOINT FILLER  
32(1 1/4) DOWELL BAR  
FLOW OF GUTTER  
150(6)  
75(3) SAND CUSHION  
NO. 15 (NO. 4) BARS AT 300(12) CTS

**NOTES**  
SLOPE TOP SLAB TO MATCH FINAL CONDITIONS  
150(6) CLASS SI CONCRETE SLAB NO. 15 (NO. 5) REINFORCEMENT BARS IN TOP ONLY SEE SHEET 79.4d CURB & GUTTER  
113(4 1/2) OPENING  
40(1 1/2) CL  
1.2m (4'-0")  
WIER ELEV.  
150(6)  
POUR ADJUSTMENT WITH GUTTER  
FACE OF INLET  
OPTIONAL CONSTRUCTION JOINT  
150(6)  
BACK OF CURB  
75(3)  
GUTTER LINE  
EDGE OF PAVEMENT  
**TOP VIEW**  
ALL DIMENSIONS ARE IN MILLIMETERS (INCHES) UNLESS OTHERWISE NOTED.

STEPS AT 300(12) TO 400(16) CTS.  
\*THE WALL ADJUSTMENTS SHALL BE MADE WITH CONCRETE BUILDING BRICK OR CLASS SI CONCRETE.  
THE HEIGHT OF THE BOX MAY BE CONSTRUCTED 150(6) SHORT TO ALLOW FOR FIELD ADJUSTMENTS.

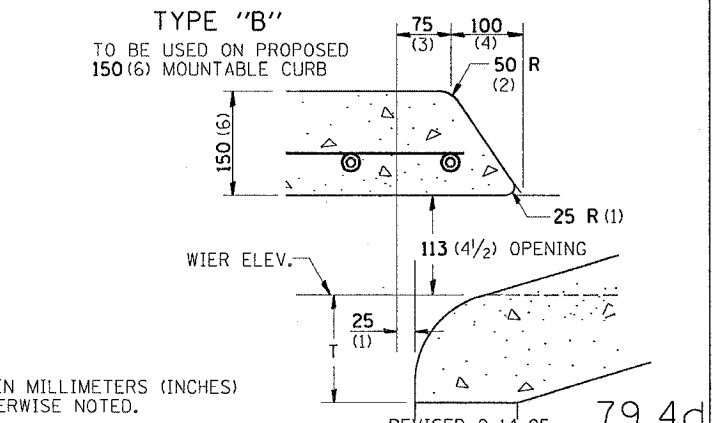
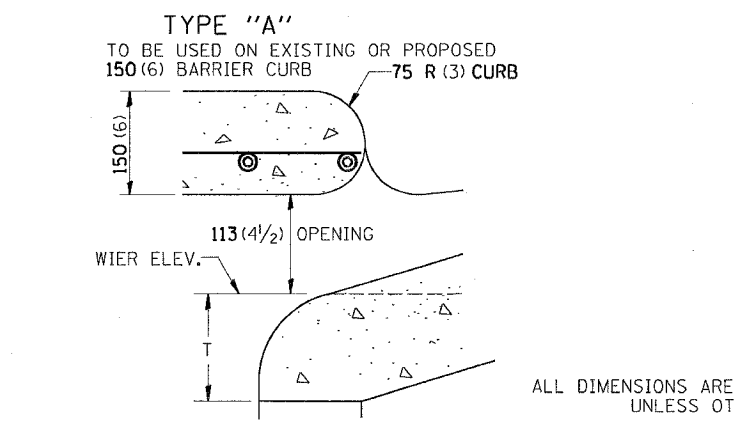
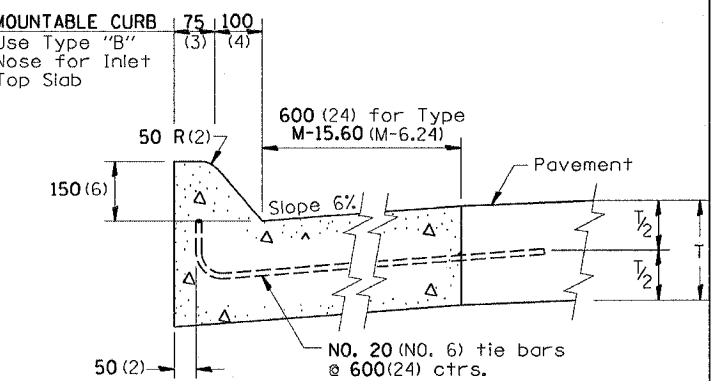
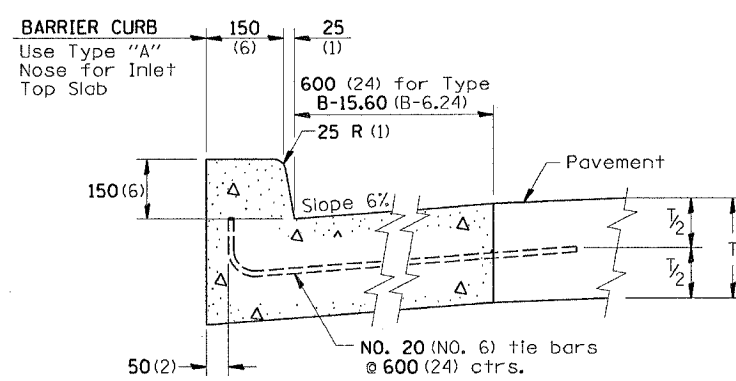
SEE STANDARD 602701 FOR DETAILS OF STEPS.  
25(1) PREFORMED EXPANSION JOINTS AS SHOWN SHALL BE PROVIDED ON EACH SIDE OF INLET.  
CLASS SI CONCRETE OR PRECAST CONCRETE SHALL BE USED THROUGHOUT.  
THE SIDE WALLS MAY BE BUILT AS PRECAST SEGMENTAL SECTIONS.  
STEPS SHALL BE OMITTED WHEN DEPTH OF INLET IS LESS THAN 1.5 m (5 FT.).

**LIGHT WEIGHT MANHOLE CASTING**  
762(30)  
610(24)  
19(3/4)  
559(22)  
603(23 3/4)  
89(3 1/2)  
TOTAL WEIGHT 73 Kg. (160 LBS.)

THE INLET SHALL BE CAST IN PLACE OR PRECAST.  
EXCEPT AS NOTED HEREON INLET SPECIAL NO. 6 SHALL BE CONSTRUCTED IN ACCORDANCE WITH SECTION 602 OF THE STANDARD SPECIFICATIONS.  
THE CONTRACT UNIT PRICE EACH FOR INLET SPECIAL NO. 6 SHALL INCLUDE THE COST OF FURNISHING AND INSTALLING THE FRAME, LID, REINFORCEMENT BARS, FLOOR AND TOP SLABS, CAST IRON STEPS (IF USED).  
THE CURB AND GUTTER WILL BE PAID FOR SEPARATELY AND WILL BE MEASURED THROUGH THE INLET.  
THE CURB AND GUTTER ADJACENT TO AND 1.8m (6 FT) ON EITHER SIDE OF THE INLET SHALL BE CONSTRUCTED AS SHOWN WITH NO ADDITIONAL COMPENSATION FOR THE TRANSITION.

REVISED 11-10-94 79.4c

### NOSE TYPE FOR INLET TOP SLAB



ALL DIMENSIONS ARE IN MILLIMETERS (INCHES) UNLESS OTHERWISE NOTED.

REVISED 2-14-95 79.4d