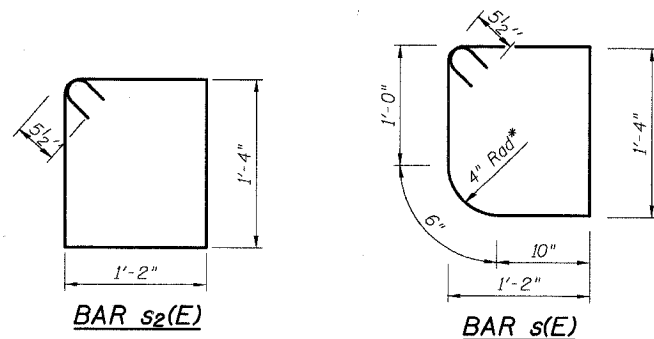
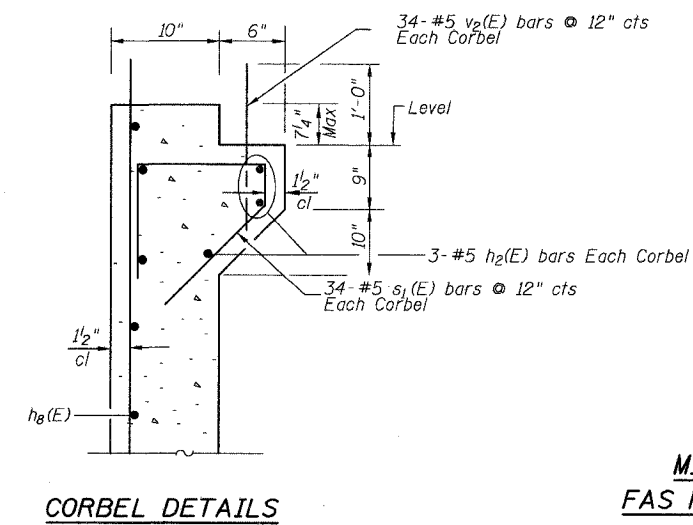
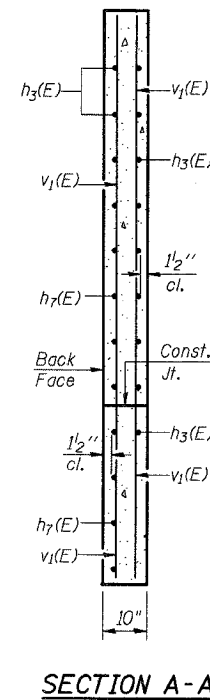
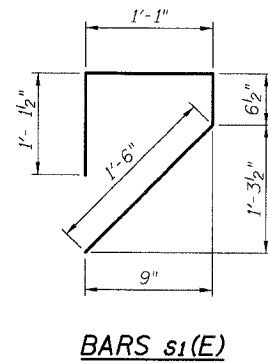
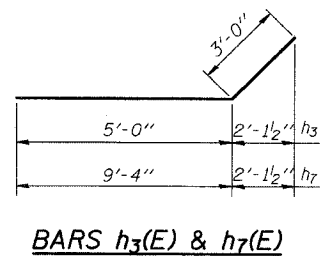
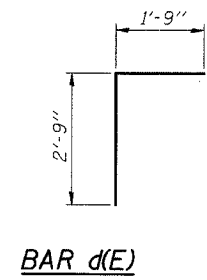
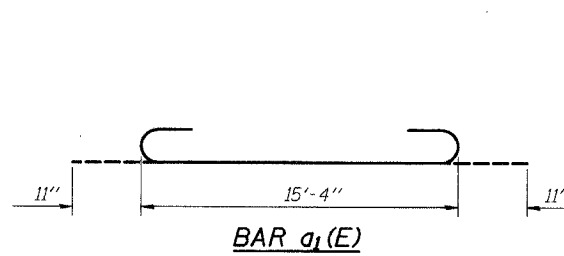
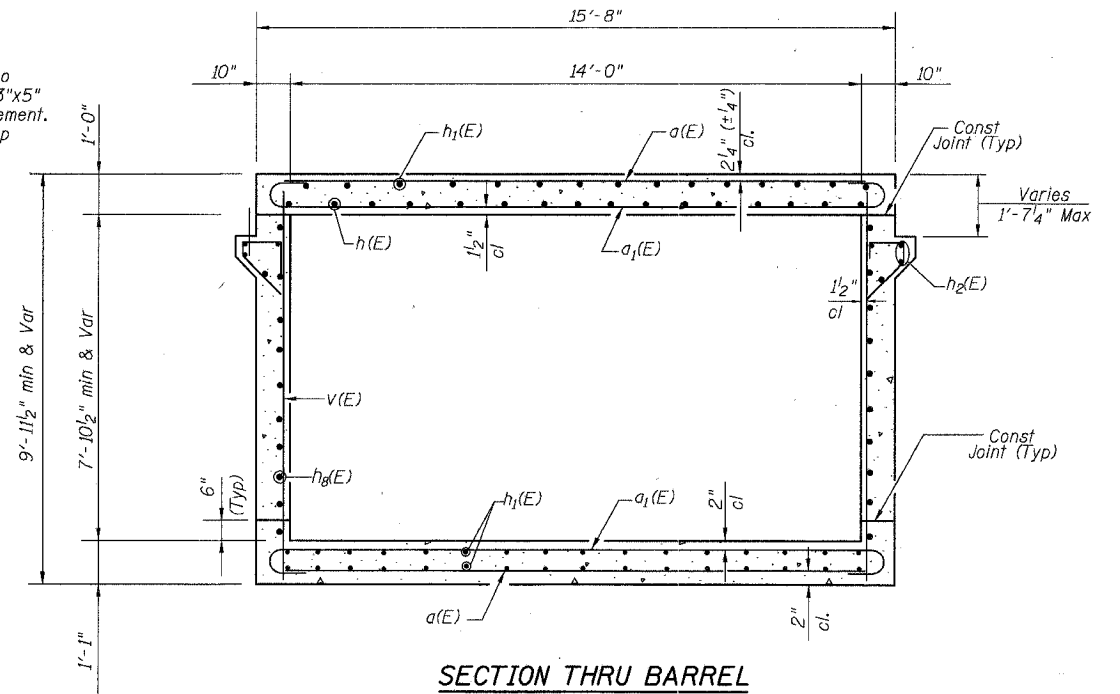
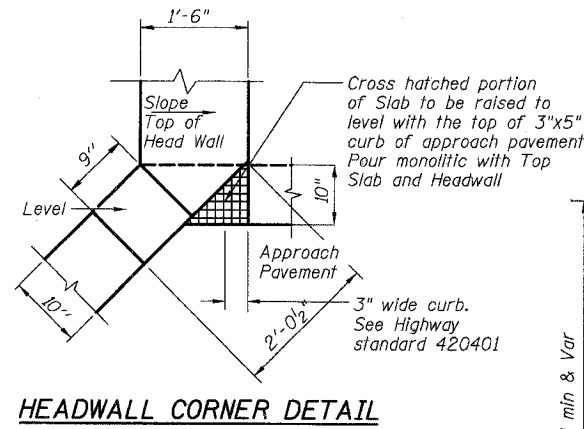
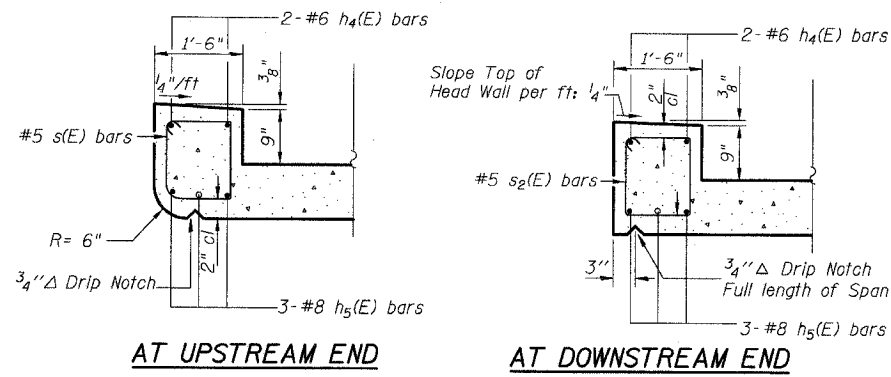


STATE OF ILLINOIS
DEPARTMENT OF TRANSPORTATION

ROUTE NO. FAS 1197	SECTION 105-7	COUNTY Whiteside	SHEETS 59	SHEET 29	SHEET NO. 3 5 SHEETS 64421
FED. ROAD DIST. NO. 7		ILLINOIS FED. AID PROJECT			



DESIGNED	-	K.R.G.
CHECKED	-	J.L.K.
DRAWN	-	M.D.
CHECKED	-	J.L.K.

MISCELLANEOUS DETAILS
FAS ROUTE 1197 - SECTION 105-T
WHITESIDE COUNTY
STATION 428+13.00
STRUCTURE NO. 098-1013

Work this Sheet with Sheet No. 2 of 5.

MID-AMERICA ENGINEERING SERVICES
975 South Durkan Dr, Springfield IL 62704