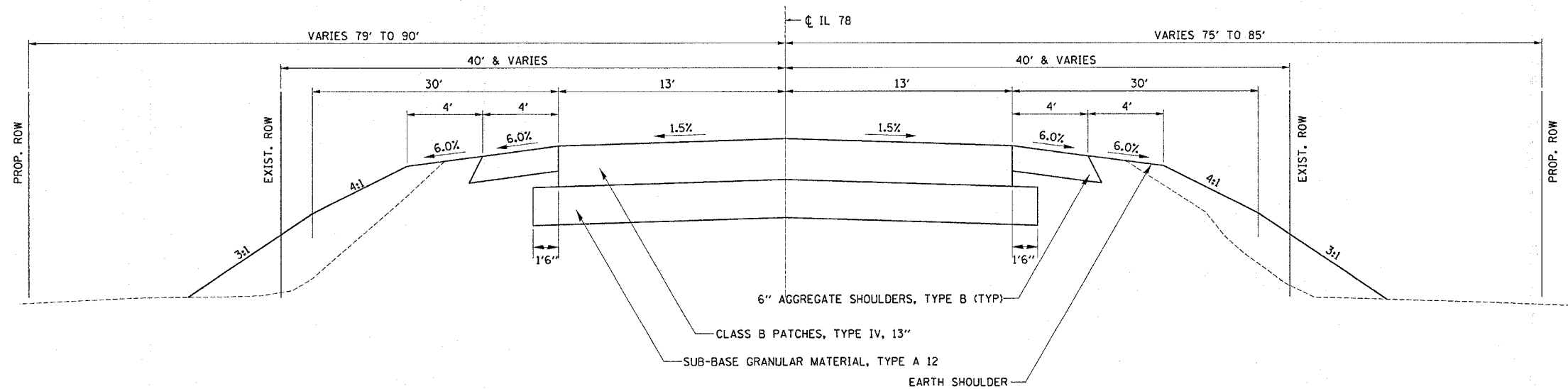
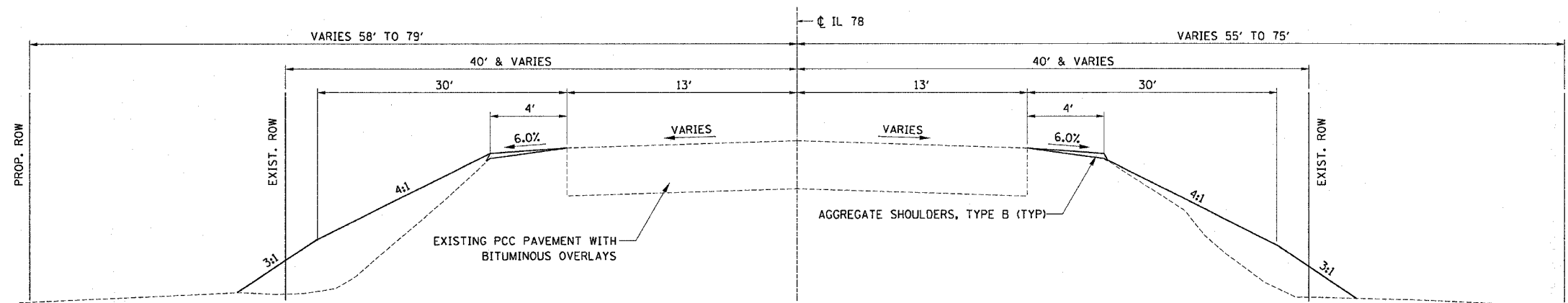


F.A.P. RTE.	SECTION	COUNTY	TOTAL SHEETS	SHEET NO.
650	104-T-1	JO DAVIESS	24	8
STA.		TO STA.		
FED. ROAD DIST. NO.		ILLINOIS	FED. AID PROJECT	

PROPOSED TYPICAL SECTIONS



STA. 1052 + 35.55 TO STA. 1052 + 84.00



STA. 1052 + 84.00 TO STA. 1054 + 00.00

PLOT DATE = Tue Mar 29 14:49:52 2005
 FILE NAME = c:\projects\104-T-1\104-T-1.dwg
 PLOT SCALE = 1/8" = 1'-0"
 REFERENCE = PREP

REVISIONS	
NAME	DATE

ILLINOIS DEPARTMENT OF TRANSPORTATION

SCALE: VERT. _____
 HORIZ. _____

DATE _____

DRAWN BY _____
 CHECKED BY _____