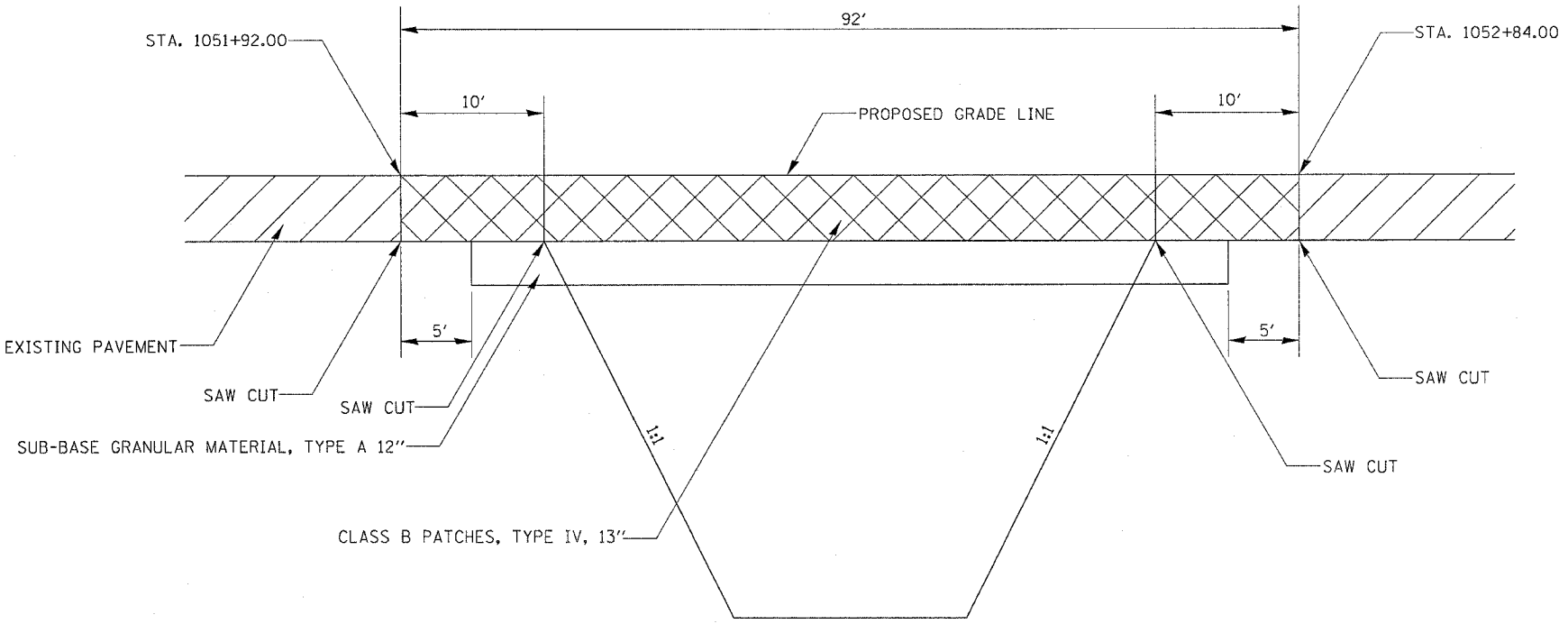


PATCH DETAILS

F.A. P. RTE.	SECTION	COUNTY	TOTAL SHEETS	SHEET NO.
650	104-T-1	JO DAVIESS	24	13
STA.		TO STA.		
FED. ROAD DIST. NO.	ILLINOIS	FED. AID PROJECT		



PLOT DATE = Tue Mar 20 14:52:46 2005
 FILE NAME = c:\p0\msh\210783\10783w.dgn
 PLOT SCALE = 50.0000 / 1 IN.
 USER NAME = gorf,j

REVISIONS	
NAME	DATE

ILLINOIS DEPARTMENT OF TRANSPORTATION

SCALE: VERT. / HORIZ.
 DATE

DRAWN BY
 CHECKED BY