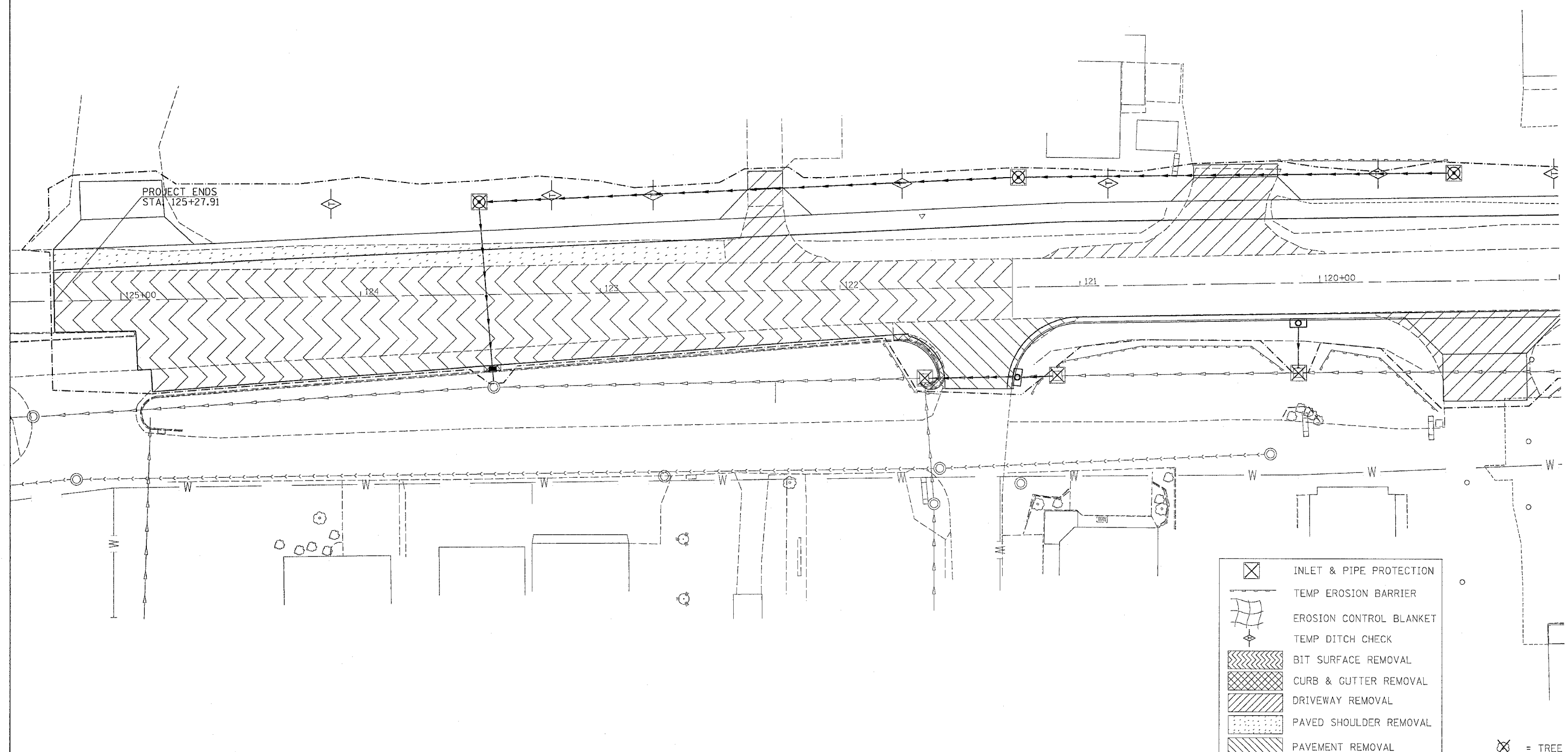

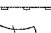




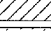
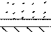



REMOVAL DETAILS & EROSION CONTROL

F.A.P. RTE.	SECTION	COUNTY	TOTAL SHEETS	SHEET NO.
595	(2R) M&TS	HENRY	90	34
STA.		TO STA.		
FED. ROAD DIST. NO.		ILLINOIS	FED. AID PROJECT	
CONTRACT NO. 64A10				



-  INLET & PIPE PROTECTION
-  TEMP EROSION BARRIER
-  EROSION CONTROL BLANKET
-  TEMP DITCH CHECK
-  BIT SURFACE REMOVAL
-  CURB & GUTTER REMOVAL
-  DRIVEWAY REMOVAL
-  PAVED SHOULDER REMOVAL
-  PAVEMENT REMOVAL

 = TREE REMOVAL