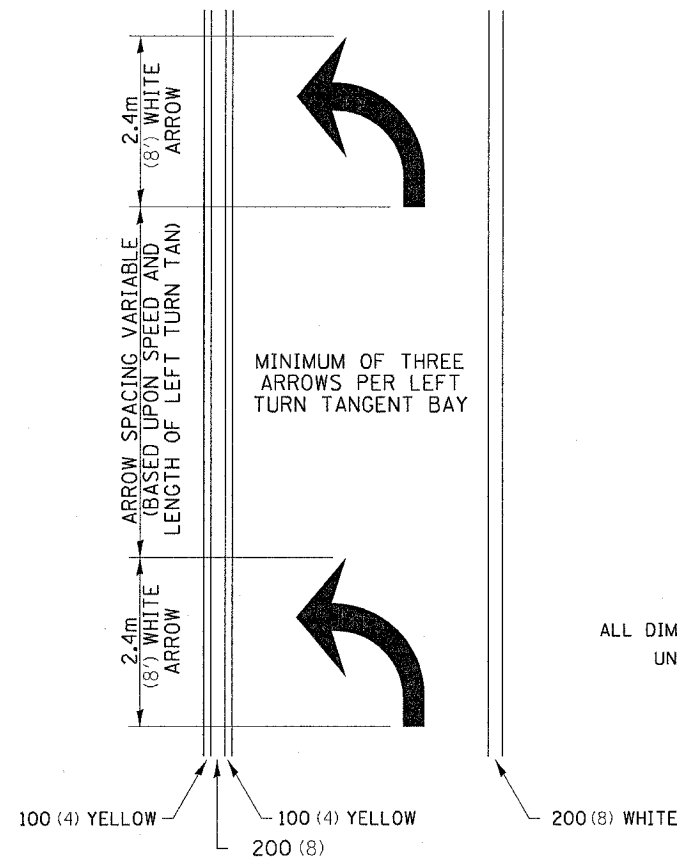


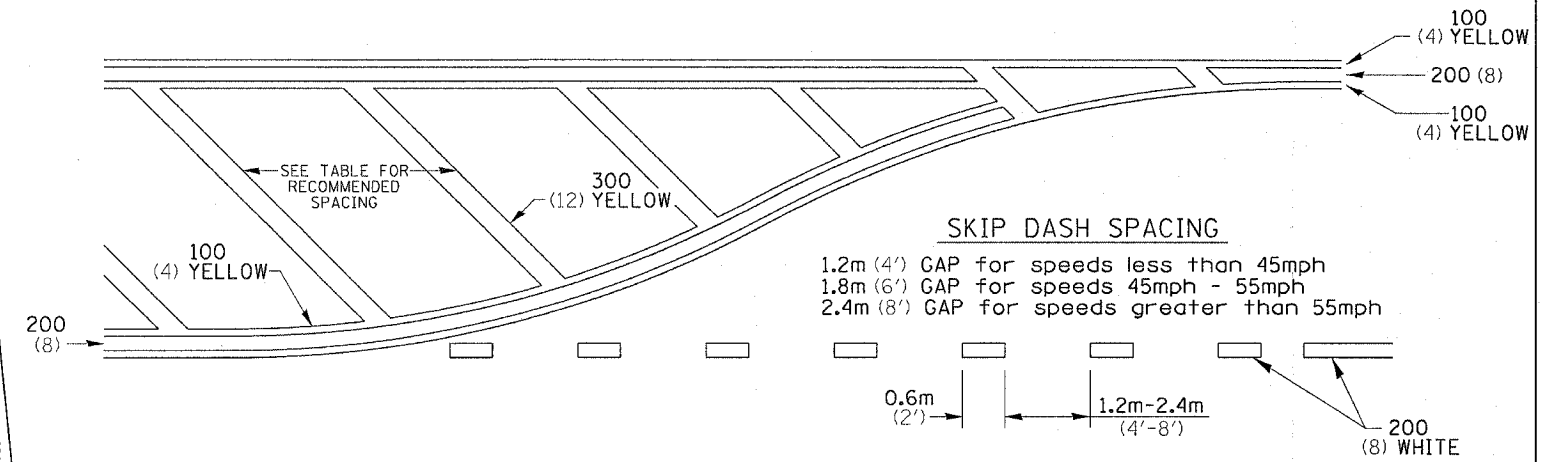
F.A.P. RTE.	SECTION	COUNTY	TOTAL SHEETS	SHEET NO.
595	(2R) M&T	HENRY	90	60.
STA.		TO STA.		
FED. ROAD DIST. NO.		ILLINOIS FED. AID PROJECT		

TYPICAL PAVEMENT MARKINGS

ARROW LAYOUT



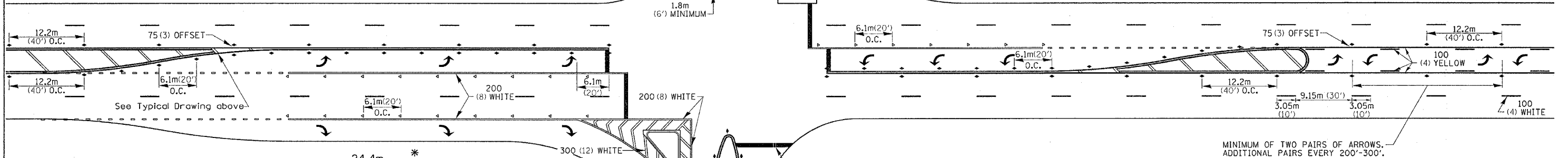
TYPICAL PAVEMENT MARKING FOR FLUSH MEDIAN



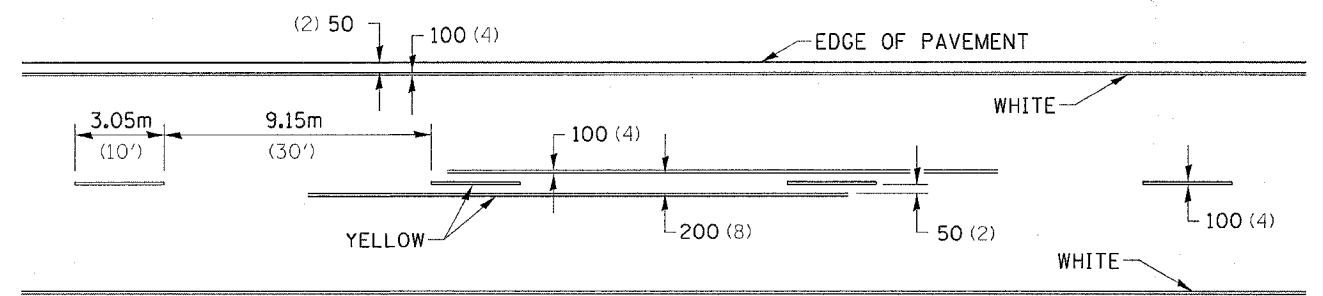
RECOMMENDED SPACING BETWEEN DIAGONALS (IN FEET)

Speed Limit Range	Continuous Median Area	Intersection Channelization	Objects (Islands)
less than 50Km/H (30MPH)	15.3m (50')	4.53m (15')	3.05m (10')
50-60Km/H (30-40MPH)	22.9m (75')	6.1m (20')	4.53m (15')
70Km/H (45MPH) & over	22.9m (75')	9.05m (30')	6.1m (20')

NOTE: If the spacing recommended in the Table does not permit at least five diagonal lines in the area being marked, the spacing from the next lowest speed range should be used. The recommended spacing is measured parallel to the pavement center line.



TYPICAL PAVEMENT MARKING FOR TWO LANE SECTION - NO PASSING ZONES



SYMBOLS

See Typical Drawing above

12.2m (40') O.C.
 APPROACH SIDE ONLY

- REDUCE TO 12.2m (40') O.C. ON CURVES WHERE ADVISORY SPEEDS ARE 15Km/H (10MPH) LOWER THAN POSTED SPEEDS.
- USE DOUBLE MARKERS WHEN ADT ≥ 25,000

MULTI-LANE / UNDIVIDED

PLOT DATE = Wed Feb 09 10:24:12 2005
 FILE NAME = c:\p\projects\640589A\640589A.dgn
 PLOT SCALE = 90.000 / 1 in.
 REFERENCE = 4829