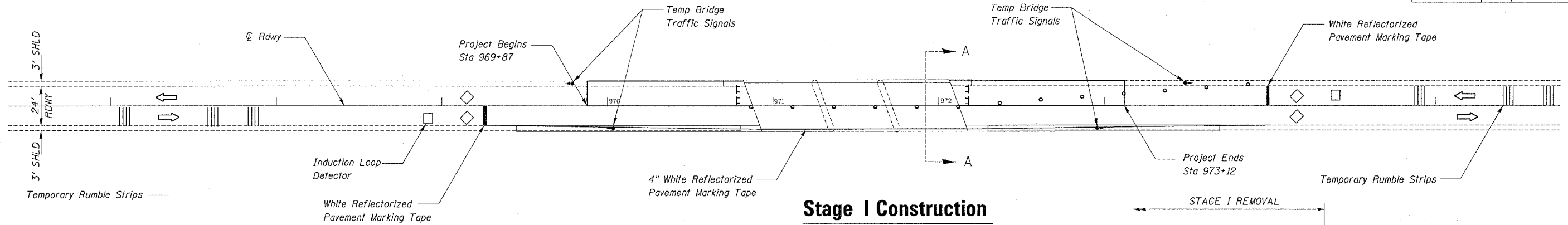


F.A.S. RTE.	SECTION	COUNTY	TOTAL SHEETS	SHEET NO.
2079	16BR-M	OGLE	14	5
STA.		TO STA.		
FED. ROAD DIST. NO.		ILLINOIS	FED. AID PROJECT	

Stage I Traffic Control

Refer to Standard 701316



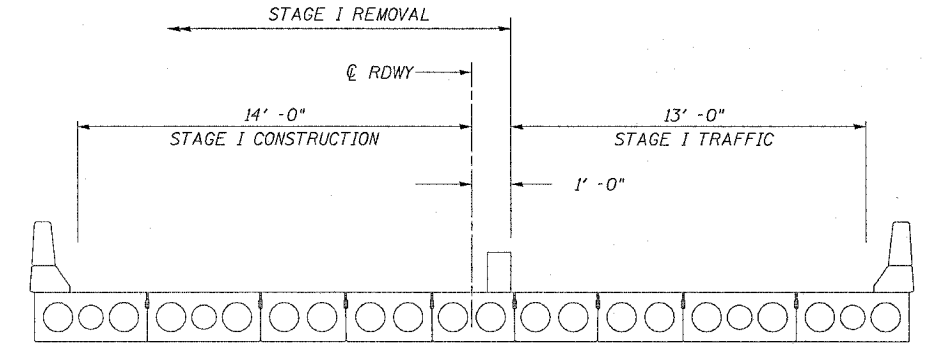
Stage I Construction

Place Bituminous & PCC Shoulder on South Side using Standard 701306 or 701326

Install Standard 701316. Use Standard 701201

Move Traffic to Stage I Traffic Lane. Complete Stage I Construction.

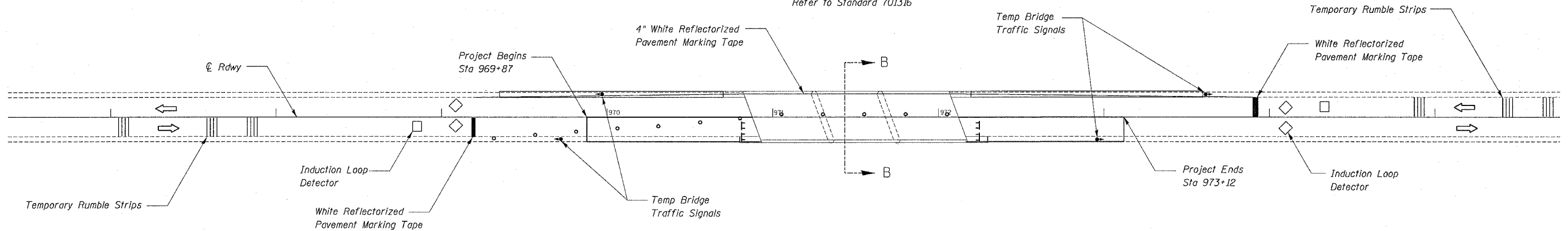
Place Bituminous & PCC Shoulder on North Side.



SECTION A-A

Stage II Traffic Control

Refer to Standard 701316

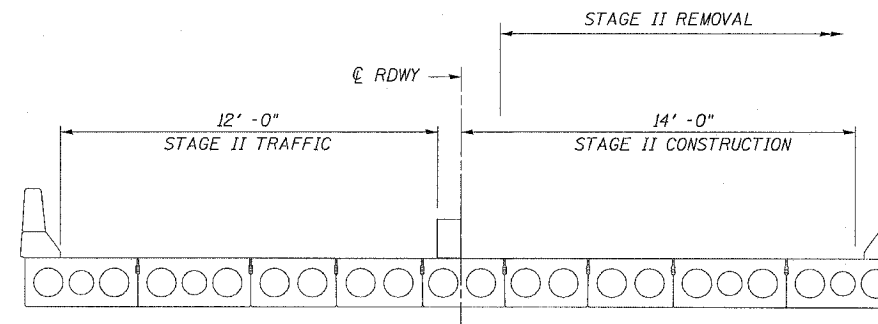


Stage II Construction

Relocate Traffic Control Devices to Stage II using Standard 701301 or 701306.

Move Traffic to Stage II Traffic Lanes. Complete Stage II Construction.

Remove Standard 701316 using Standard 701201



SECTION B-B

Pavement Marking Removal		Sq. Ft.
Stage I	Edge Line	120
	Centerline	27
Stage II	Edge Line	48
Total		195

Temporary Bridge Traffic Signals		Each
	Standard 701316	1
Total		1

Pavement Marking Tape, Type III 4"		Foot
	Stage I Right Line	473
	Stage I Edge Line	470
Total		943

Traffic Control & Protection Std 701316		Each
	Entire Project	1
Total		1

Work Zone Pavement Marking Removal		Sq. Ft.
Stage II	Temporary Lines	272
Total		272

Temporary Rumble Strips		Each
	Standard 701316	1
Total		1

Short Term Pavement Marking 4"		Foot
	Temporary Centerline Skip Dash (Yellow)	44
Total		44

Paint Pavement Marking - Line 4"		Foot
	Centerline Skip Dash (Yellow)	82
	Left & Right Edge Line (White)	944
Total		1026

TRAFFIC CONTROL PLAN
 US 52 OVER ELKHORN CREEK
 FAS ROUTE 2079 (US 52)
 SECTION 16BR-M
 OGLE COUNTY
 STRUCTURE NUMBER 071-0070