

STATE OF ILLINOIS
DEPARTMENT OF TRANSPORTATION

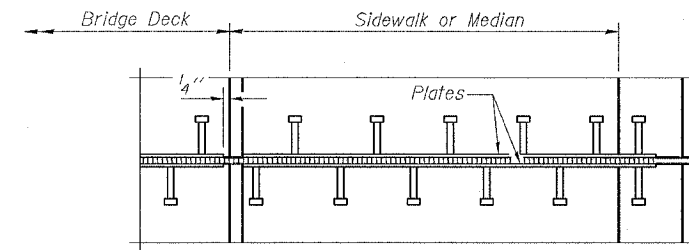
FAS	SECTION	COUNTY	TOTAL SHEETS	SHEET NO.	SHEET NO. 5 7 SHEETS
2079	**	OGLE	14	10	
FED. ROAD DIST. NO. 7		ILL. ROAD DIST. NO. 10		FED. AID PROJECT	

** 16BR-M

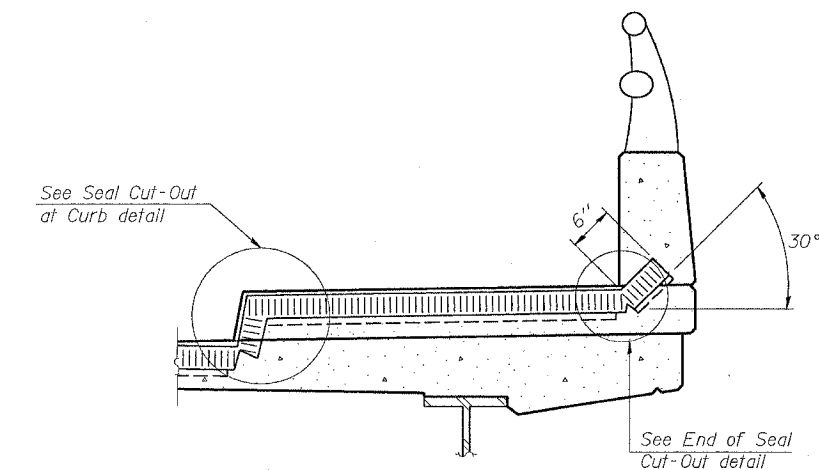
Bridge Joint System (Expansion)		
Design Movement	Required Preformed Joint Seal Size	Required Strip Seal Rated movement
1"	2 1/2"	1"
1 5/8"	4"	2"

GENERAL NOTES

Furnish steel plates in segments of 20 feet maximum length. Maximum space between installed segments shall be 3/16". Seal space with silicone sealant suitable for structural steel.



PLAN AT SIDEWALK OR MEDIAN



AT SIDEWALK OR MEDIAN*
(Showing plate and seal)

* Shorter plates with a single row of studs at 12" centers may be necessary on medians which are shallower than 9". See manufacturer's recommendation.

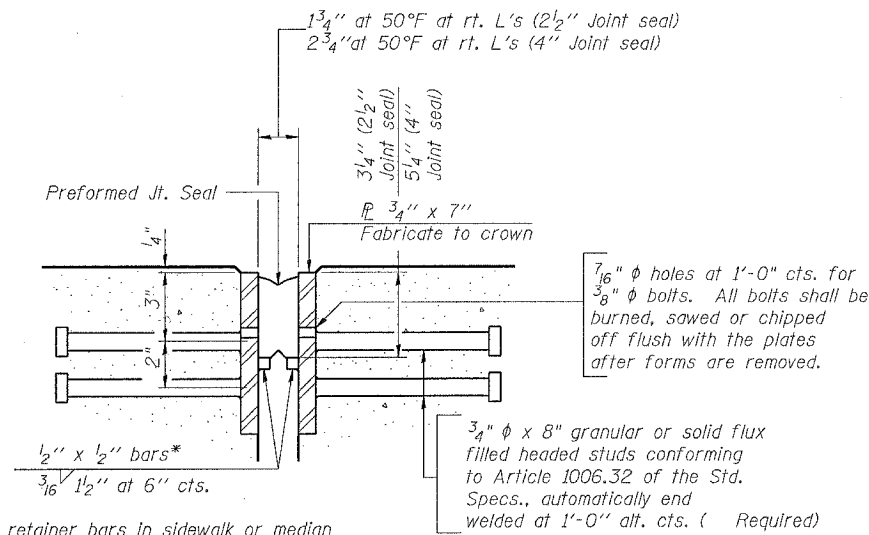
BILL OF MATERIAL

Item	Unit	Total
Bridge Joint System (Expansion) 1 5/8"	foot	31

(Sheet 1 of 2)

**BRIDGE JOINT SYSTEM - EXPANSION
(PREFORMED JOINT SEAL)**

US 52 OVER ELKHORN CREEK
FAS ROUTE 2079 (US 52)
SECTION 16BR-M
OGLE COUNTY
STRUCTURE NUMBER 071-0070



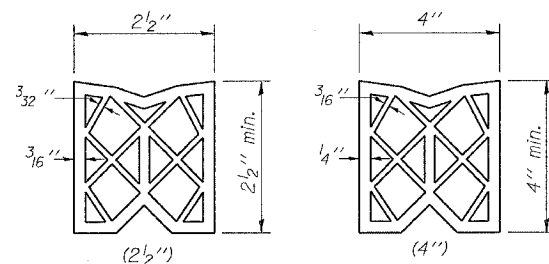
SECTION THRU EXPANSION JOINT

(2 1/2" and 4" joint seals)

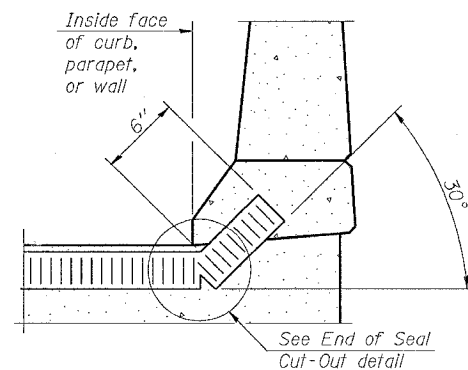
*Cut retainer bars in sidewalk or median 6" short of the sidewalk or median face.

7/16" φ holes at 1'-0" cts. for 3/8" φ bolts. All bolts shall be burned, sawed or chipped off flush with the plates after forms are removed.

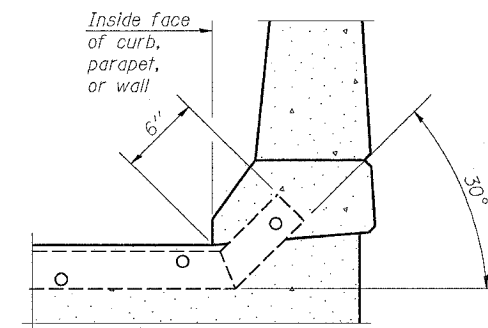
3/4" φ x 8" granular or solid flux filled headed studs conforming to Article 1006.32 of the Std. Specs., automatically end welded at 1'-0" alt. cts. (Required)



PREFORMED JOINT SEAL

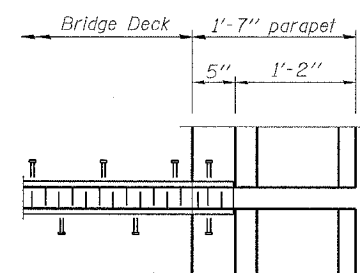


AT CURB, PARAPET, OR WALL
(Showing seal)

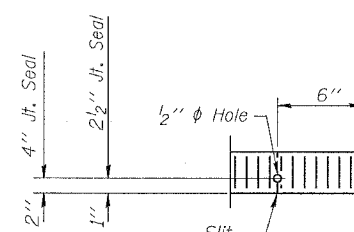


AT CURB, PARAPET, OR WALL
(Showing plate)

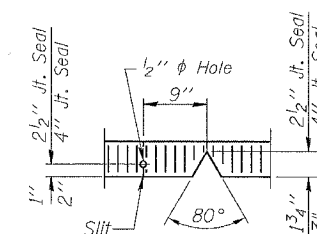
TYPICAL END TREATMENTS



PLAN AT PARAPET



END OF SEAL CUT-OUT



SEAL CUT-OUT AT CURB

DESIGNED -	200
CHECKED -	EXAMINED
DRAWN -	PASSED
CHECKED -	ENGINEER OF STRUCTURAL SERVICES
	ENGINEER OF BRIDGES AND STRUCTURES

EJ-BJS

10-22-04