

F.A.S. RTE.	SECTION	COUNTY	TOTAL SHEETS	SHEET NO.
2079	16BR-M	OGLE	14	14
STA.		TO STA.		
FED. ROAD DIST. NO.		ILLINOIS FED. AID PROJECT		

CONCRETE CURB SPECIAL

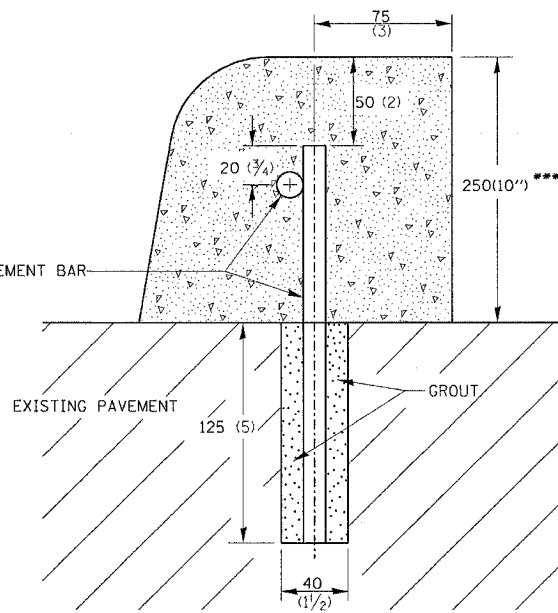
CONCRETE CURB SPECIAL SHALL BE CONSTRUCTED IN ACCORDANCE WITH SECTION 606 OF THE STANDARD SPECIFICATIONS, SUPPLEMENTAL SPECIFICATIONS, STANDARD 606001 AND THIS DRAWING.

CLASS SI CONCRETE SHALL BE USED THROUGHOUT.

HOLES 40 (1 1/2) Ø AND 125 (5) DEEP SHALL BE DRILLED IN THE EXISTING CONCRETE PAVEMENT AT 1.5M (5'-0") CENTERS. NO. 15 (NO. 4) REINFORCEMENT BARS 325 (13") LONG SHALL BE GROUDED IN THE HOLES AND A NO. 15 (NO. 4) REINFORCEMENT BAR SHALL BE INSTALLED LONGITUDINALLY IN THE CURB.

JOINTS OF A TYPE SIMILAR TO THAT IN THE UNDERLYING PAVEMENT (EXPANSION OR CONTRACTION) SHALL BE INSTALLED IN THE CONCRETE CURB IN ALIGNMENT WITH THE JOINTS IN THE PAVEMENT.

THE COST OF ALL MATERIALS AND LABOR REQUIRED TO INSTALL THE JOINTS AND REINFORCEMENT BARS IN THE CURB SHALL BE INCLUDED IN THE CONTRACT UNIT PRICE METER (FOOT) FOR CONCRETE CURB SPECIAL.



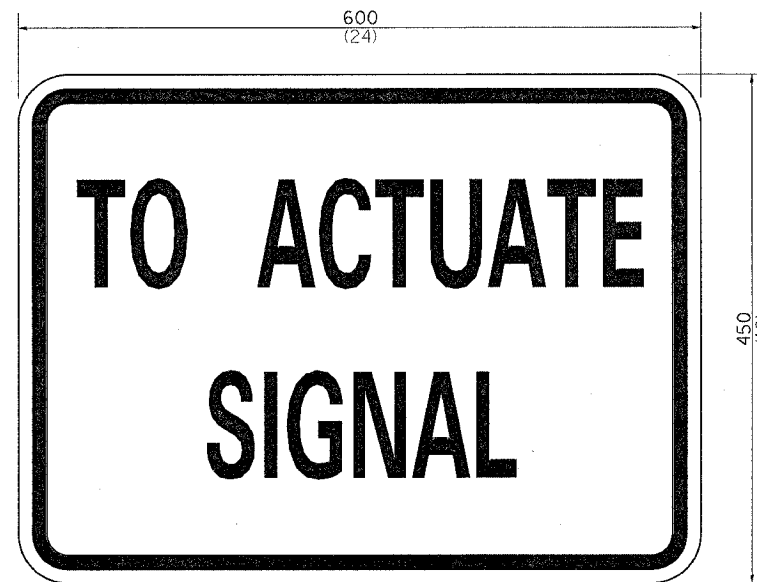
ALL DIMENSIONS ARE IN MILLIMETERS (INCHES) UNLESS OTHERWISE NOTED.

*** Curb Height shall be 10" to attain a ± 6" Curb when bridge approaches are overlaid with 4" ± of Bituminous Surface

CONCRETE CURB SPECIAL 11.4

REVISED 5-04-94

STOP LINE SIGN FOR TEMPORARY SIGNALS



SIZE: 600(24) x 450(18)

100(4) CAPITAL LETTERS - BLACK

13 (1/2) BORDER - BLACK

WHITE REFLECTIVE - TYPE B
ENGINEERING GRADE SHEETING

GENERAL NOTE:

THIS SIGN SHALL BE INSTALLED AT THE STOP LINE AS DIRECTED BY ENGINEER.

ALL DIMENSIONS ARE IN MILLIMETERS (INCHES) UNLESS OTHERWISE NOTED.

US 52 OVER ELKHORN CREEK
FAS ROUTE 2079 (US 52)
SECTION 16BR-M
OGLE COUNTY
STRUCTURE NUMBER 071-0070

STOP LINE SIGN FOR TEMPORARY SIGNALS 99.4

REVISED 8-7-90

PLOT DATE = 11/14/00
 FILE NAME = 16BR-M-10116.dwg
 PLOT SCALE = 50.0000 / 1" = 100'
 REFERENCE = REF